



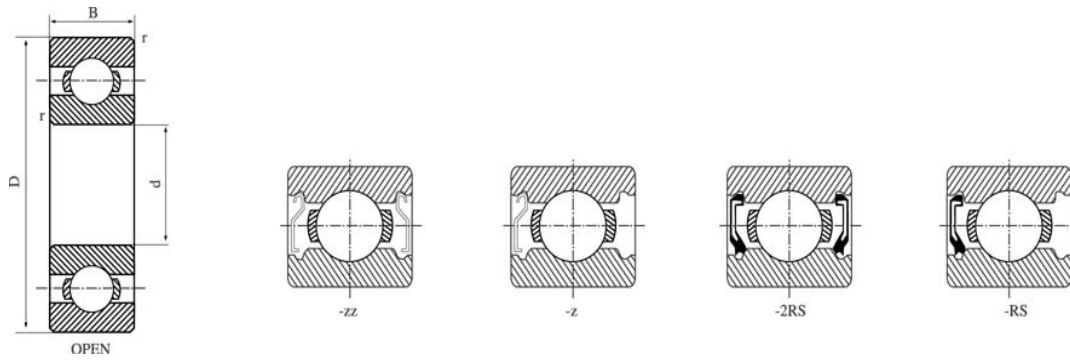
Deep groove ball bearings

POPULAR SIZE

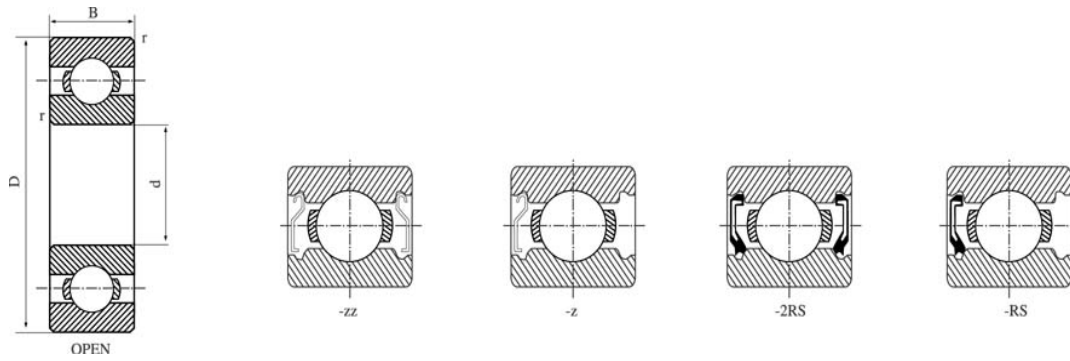


ACCOR MACHINERY [BEARING] CO.,LTD

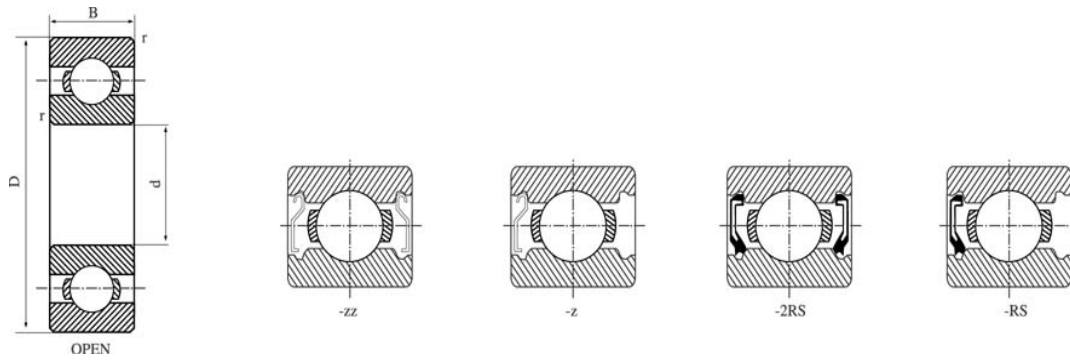
CAT.NO.2008JAN



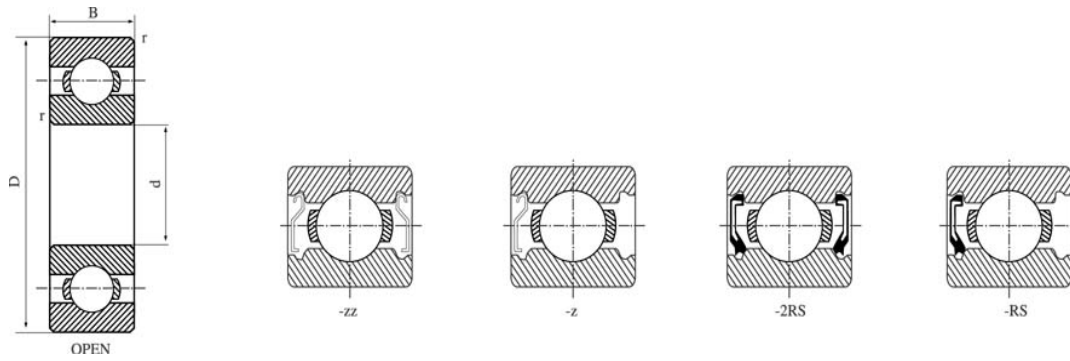
Bearing No.	d	D	B	r (min.)	Basic Load Rating(KN)		Limiting Speed		Weight Kg(pc)
					Dynamic Cr	Static Cor	Grease r/min	Oil r/min	
6000	10	26	8	0.3	4.55	1.95	29000	34000	0.019
6001	12	28	8	0.3	5.1	2.4	26000	30000	0.022
6002	15	32	9	0.3	5.6	2.85	22000	26000	0.03
6003	17	35	10	0.3	6	3.25	20000	24000	0.039
6004	20	42	12	0.6	9.4	5.05	18000	21000	0.069
6005	25	47	12	0.6	10.1	5.85	15000	18000	0.08
6006	30	55	13	1	13.2	8.25	13000	15000	0.116
6007	35	62	14	1	15.9	10.3	12000	14000	0.155
6008	40	68	15	1	16.7	11.5	10000	12000	0.192
6009	45	75	16	1	21	15.1	9200	11000	0.245
6010	50	80	16	1.1	21	16.6	8400	9800	0.261
6011	55	90	18	1.1	28.3	21.2	7700	9000	0.385
6012	60	95	18	1.1	29.4	23.2	7000	8300	0.415
6013	65	100	18	1.1	30.5	25.2	6500	7700	0.435
6014	70	110	20	1.1	38.1	30.9	6100	7100	0.602
6015	75	115	20	1.1	39.6	33.5	5700	6700	0.638
6016	80	125	22	1.1	47.6	39.8	5300	6200	0.85
6017	85	130	22	1.1	49.5	43.1	5000	5900	0.89
6018	90	140	24	1.5	58.2	49.7	4700	5600	1.16
6019	95	145	24	1.5	60.4	53.9	4500	5300	1.21
6020	100	150	24	1.5	60.2	54.2	4200	5000	1.25
6021	105	160	26	2	72.3	65.8	4000	4700	1.59
6022	110	170	28	2	82	73	3800	4500	1.96
6024	120	180	28	2	85	79.3	3600	4200	2.07
6026	130	200	33	2	106	101	3200	3800	3.16
6028	140	210	33	2	110	109	3000	3600	3.55



Bearing No.	d	D	B	r (min.)	Basic Load Rating(KN)		Limiting Speed		Weight Kg(pc)
					Dynamic Cr	Static Cor	Grease r/min	Oil r/min	
6200	10	30	9	0.6	5.1	2.4	24000	29000	0.032
6201	12	32	10	0.6	6.8	3.05	22000	27000	0.037
6202	15	35	11	0.6	7.65	3.75	20000	24000	0.045
6203	17	40	12	0.6	9.55	4.8	17000	21000	0.065
6204	20	47	14	1	12.8	6.65	15000	17000	0.106
6205	25	52	15	1	14	7.85	13000	15000	0.128
6206	30	62	16	1	19.5	11.3	11000	13000	0.199
6207	35	72	17	1.1	25.7	15.4	9200	11000	0.288
6208	40	80	18	1.1	29.1	17.8	8300	10000	0.366
6209	45	85	19	1.1	32.7	20.3	7700	9200	0.407
6210	50	90	20	1.1	35.1	23.3	7100	8500	0.463
6211	55	100	21	1.5	43.4	29.4	6300	7600	0.607
6212	60	110	22	1.5	52.4	36.2	5700	6900	0.783
6213	65	120	23	1.5	57.2	40.1	5400	6400	0.99
6214	70	125	24	1.5	62.2	44.1	5100	6100	1.07
6215	75	130	25	1.5	67.4	48.3	4800	5800	1.18
6216	80	140	26	2	72.7	53	4500	5400	1.4
6217	85	150	28	2	84	61.9	4200	5000	1.79
6218	90	160	30	2	96.1	71.5	3900	4700	2.15
6219	95	170	32	2.1	109	81.9	3700	4400	2.62
6220	100	180	34	2.1	122	93.1	3500	4200	3.14
6221	105	190	36	2.1	133	105	3300	3900	3.7
6222	110	200	38	2.1	144	117	3100	3700	4.36
6224	120	215	40	2.1	155	131	2900	3400	5.15
6226	130	230	40	3	167	146	2700	3200	5.82
6228	140	250	42	3	166	150	2400	2900	7.45

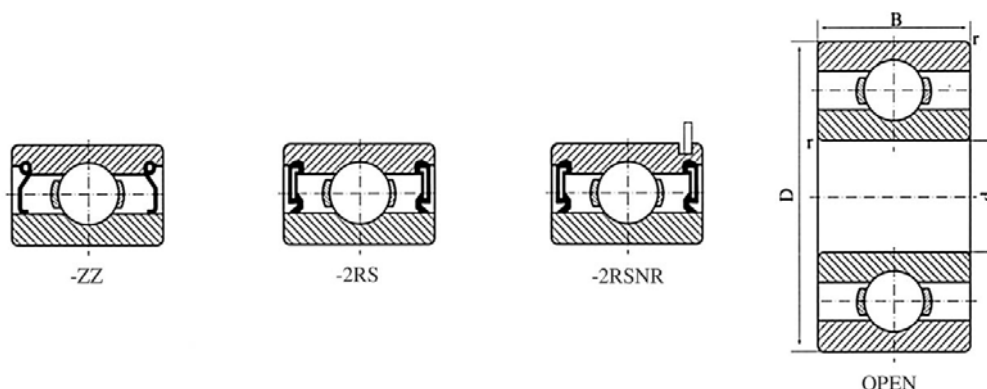


Bearing No.	d	D	B	r (min.)	Basic Load Rating(KN)		Limiting Speed		Weight Kg(pc)
					Dynamic Cr	Static Cor	Grease r/min	Oil r/min	
6300	10	35	11	0.6	8.1	3.45	22000	27000	0.053
6301	12	37	12	1	9.7	4.2	20000	25000	0.06
6302	15	42	13	1	11.4	5.45	17000	20000	0.082
6303	17	47	14	1	13.6	6.65	15000	18000	0.115
6304	20	52	15	1.1	15.9	7.85	14000	17000	0.144
6305	25	62	17	1.1	20.6	11.3	11000	13000	0.232
6306	30	72	19	1.1	26.7	15	9600	12000	0.346
6307	35	80	21	1.5	33.4	19.3	8500	10000	0.457
6308	40	90	23	1.5	40.7	24	7700	9200	0.633
6309	45	100	25	1.5	48.9	29.5	6800	8100	0.833
6310	50	110	27	2	62	38.3	6100	7300	1.07
6311	55	120	29	2	71.6	45	5600	6700	1.37
6312	60	130	31	2.1	81.9	52.2	5200	6200	1.7
6313	65	140	33	2.1	92.7	59.9	4800	5800	2.08
6314	70	150	35	2.1	104	68.2	4500	5400	2.52
6315	75	160	37	2.1	113	77.2	4200	5000	3.02
6316	80	170	39	2.1	123	86.7	3900	4700	3.59
6317	85	180	41	3	133	96.8	3700	4400	4.23
6318	90	190	43	3	143	107	3500	4200	4.91
6319	95	200	45	3	153	119	3300	4000	5.67
6320	100	210	47	3	173	141	3000	3600	7
6321	105	225	49	3	184	153	2900	3500	8.05
6322	110	240	50	3	205	180	2700	3200	9.54
6324	120	260	55	3	207	135	2500	3000	12.5
6326	130	280	58	4	229	214	2300	2700	15.1
6328	140	300	62	4	253	246	2100	2500	19.4

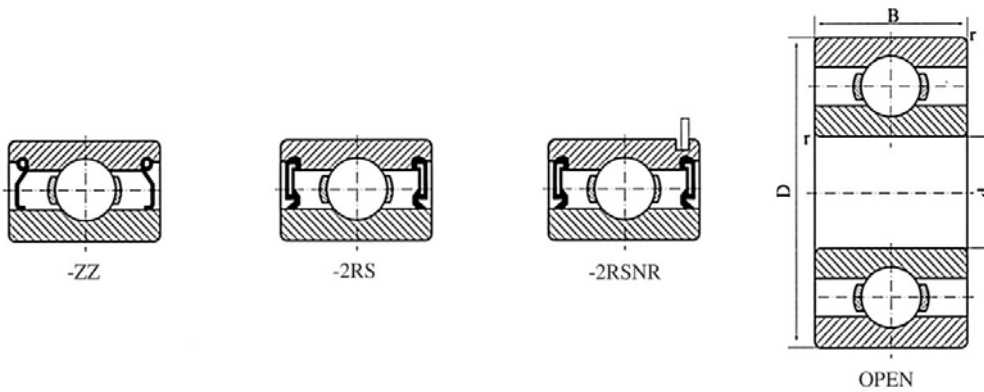


Bearing No.	d	D	B	r (min.)	Basic Load Rating(KN)		Limiting Speed		Weight Kg(pc)
					Dynamic Cr	Static Cor	Grease r/min	Oil r/min	
6403	17	62	17	1.1	22.7	10.8	14000	16000	0.27
6404	20	72	19	1.1	28.5	13.9	12000	14000	0.4
6405	25	80	21	1.5	34.5	17.5	10000	12000	0.53
6406	30	90	23	1.5	43.5	23.9	8800	10000	0.735
6407	35	100	25	1.5	55	31	7800	9100	0.952
6408	40	110	27	2	63.5	36.5	7000	8200	1.23
6409	45	120	29	2	77	45	6300	7400	1.53
6410	50	130	31	2.1	83	49.5	5700	6700	1.88
6411	55	140	33	2.1	89	54	5200	6100	2.29
6412	60	150	35	2.1	102	64.5	4800	5700	2.77
6413	65	160	37	2.1	111	72.5	4400	5200	3.3
6414	70	180	42	3	128	89.5	4100	4800	4.83
6415	75	190	45	3	138	99	3800	4500	5.72
6416	80	200	48	3	164	125	3600	4200	6.76
6417	85	210	52	4	165	128	3400	4000	7.95
6418	90	225	54	4	184	149	3200	3800	11.4
6419	95	240	55	4	186	153	3000	3500	13.4
6420	100	250	58	4	206	175	2900	3400	15

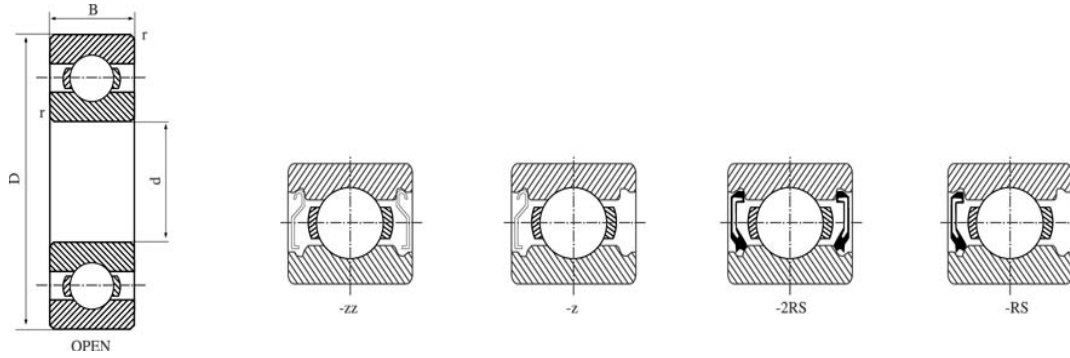
Deep groove ball bearings



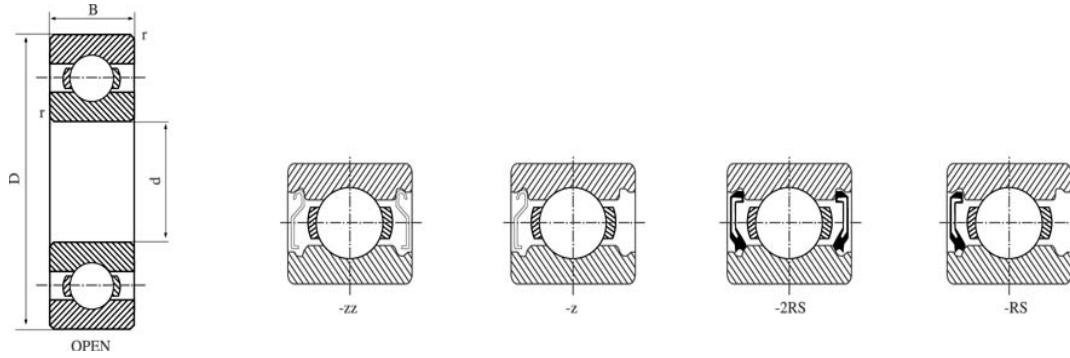
Bearing No.	d	D	B	r (min.)	Basic Load Rating(KN)		Limiting Speed		Weight Kg(pc)
					Dynamic Cr	Static Cor	Grease r/min	Oil r/min	
6900	10	22	6	0.3	2.7	1.25	34000	41000	0.01
6901	12	24	6	0.3	2.9	1.45	31000	36000	0.011
6902	15	28	7	0.3	4.3	2.25	26000	30000	0.017
6903	17	30	7	0.3	4.6	2.55	23000	28000	0.018
6904	20	37	9	0.3	6.35	3.7	19000	23000	0.036
6905	25	42	9	0.3	7	4.55	16000	19000	0.041
6906	30	47	9	0.3	7.25	5	14000	17000	0.045
6907	35	55	10	0.6	10.9	7.75	12000	14000	0.073
6908	40	62	12	0.6	13.7	9.95	11000	13000	0.112
6909	45	68	12	0.6	14.1	10.9	9700	11000	0.132
6910	50	72	12	0.6	14.5	11.7	9000	11000	0.133
6911	55	80	13	1	16.6	14.1	8100	9600	0.185
6912	60	85	13	1	20.2	17.3	7500	8900	0.192
6913	65	90	13	1	17.4	16.1	7100	8400	0.211
6914	70	100	16	1	23.7	21.2	6400	7600	0.342
6915	75	105	16	1	24.4	22.6	6100	7200	0.363
6916	80	110	16	1	25	24	5700	6800	0.382
6917	85	120	18	1.1	31.9	29.6	5300	6300	0.535
6918	90	125	18	1.1	32.8	31.6	5100	6000	0.565
6919	95	130	18	1.1	33.7	33.5	4800	5700	0.705
6920	100	140	20	1.1	45	41.9	4500	5300	0.96
6921	105	145	20	1.1	46.5	44.8	4300	5100	1
6922	110	150	20	1.1	47.9	47.8	4100	4900	1.04
6924	120	165	22	1.1	57.2	56.9	3800	4400	1.41
6926	130	180	24	1.5	69.6	70	3400	4100	1.86
6928	140	190	24	1.5	71.3	74.8	3200	3800	1.98



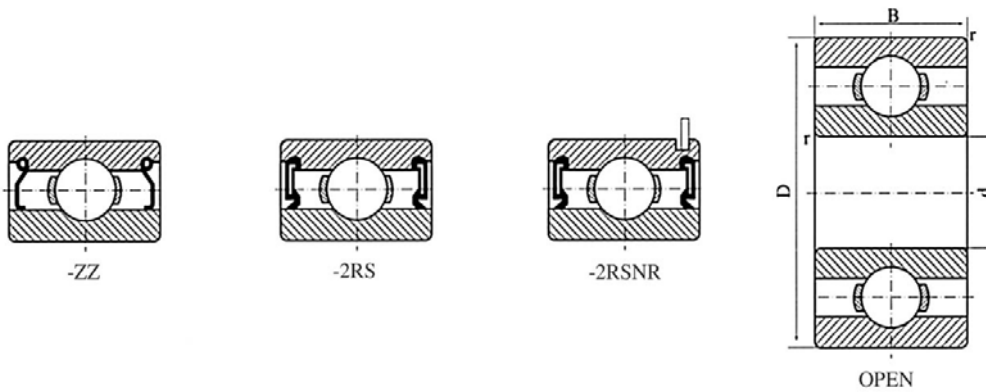
Bearing No.	d	D	B	r (min.)	Basic Load Rating(KN)		Limiting Speed		Weight Kg(pc)
					Dynamic Cr	Static Cor	Grease r/min	Oil r/min	
6800	10	19	5	0.3	1.7	0.84	37000	43000	0.005
6801	12	21	5	0.3	1.9	1.05	33000	39000	0.006
6802	15	24	5	0.3	2.1	1.25	28000	33000	0.007
6803	17	26	5	0.3	2.6	1.55	26000	30000	0.008
6804	20	32	7	0.3	4	2.45	21000	25000	0.018
6805	25	37	7	0.3	4.3	2.95	18000	21000	0.022
6806	30	42	7	0.3	4.55	3.4	15000	18000	0.026
6807	35	47	7	0.3	4.75	3.85	13000	16000	0.03
6808	40	52	7	0.3	4.95	4.2	12000	14000	0.033
6809	45	58	7	0.3	6.2	5.4	11000	13000	0.04
6810	50	65	7	1.3	6.6	6.1	9600	11000	0.052
6811	55	72	9	0.3	8.8	8.1	8700	10000	0.083
6812	60	78	10	0.3	11.5	10.6	8000	9400	0.104
6813	65	85	10	0.6	11.9	11.5	7300	8600	0.126
6814	70	90	10	0.6	12.1	11.9	6800	8100	0.134
6815	75	95	10	0.6	12.5	12.9	6400	7600	0.142
6816	80	100	10	0.6	12.7	13.3	6100	7200	0.15
6817	85	110	13	1	18.7	19	5600	6600	0.266
6818	90	115	13	1	19	19.7	5300	6300	0.279
6820	100	125	13	1	19.6	21.2	4800	5700	0.309
6822	110	140	16	1	28.1	30.7	4300	5100	0.606
6824	120	150	16	1	29	33	4000	4700	0.655
6826	130	165	18	1.1	36.9	41.2	3600	4300	0.939
6828	140	175	18	1.1	38.2	44.4	3400	4000	1



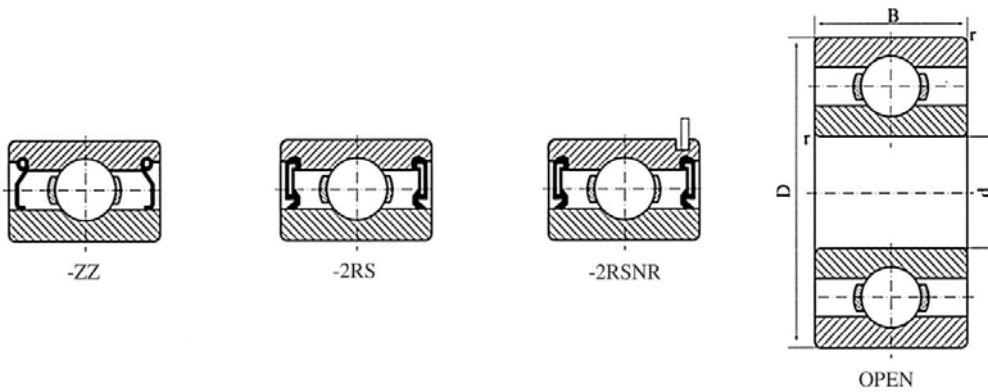
Bearing No.	d	D	B	B1	r (min.)	Basic Load Rating(KN)		Limiting Speed		Weight g(pc)
						Dynamic Cr	Static Cor	Grease r/min	Oil r/min	
602	2	7	2.8	3.5	0.15	0.39	0.13	76000	79000	0.5
682	2	5	1.5	2.3	0.1	0.19	0.06	98000	110000	0.1
692	2	6	2.3	3	0.15	0.33	0.1	86000	100000	0.2
68/2.5	2.5	6	1.8	2.6	0.1	0.19	0.06	75000	89000	0.2
69/2.5	2.5	7	2.5	3.5	0.15	0.31	0.11	66000	79000	0.4
603	3	9	3	5	0.15	0.43	0.16	60000	72000	0.9
623	3	10	4	4	0.15	0.64	0.23	52000	63000	1.6
633	3	13	5	5	0.2	1.3	0.49	44000	54000	3
683	3	7	2	3	0.15	0.31	0.11	66000	79000	0.3
693	3	8	3	4	0.15	0.55	0.17	64000	76000	0.6
604	4	12	4	4	0.2	0.97	0.36	53000	63000	2.1
624	4	13	5	5	0.2	1.3	0.49	44000	54000	2.9
634	4	16	5	5	0.3	1.75	0.67	40000	49000	5.3
684	4	9	2.5	4	0.15	0.64	0.23	59000	70000	0.6
694	4	11	4	4	0.15	0.96	0.35	54000	65000	1.8
605	5	14	5	5	0.2	1.3	0.49	50000	60000	3.5
625	5	16	5	5	0.3	1.75	0.67	40000	49000	5
635	5	19	6	6	0.3	2.6	1.05	35000	43000	8.5
685	5	11	3	5	0.15	0.97	0.36	53000	63000	1
695	5	13	4	4	0.2	1.3	0.49	50000	60000	2.2
606	6	17	6	6	0.3	1.95	0.74	43000	51000	5.8
626	6	19	6	6	0.3	2.6	1.05	35000	43000	8.1
636	6	22	7	7	0.3	3.3	1.35	31000	37000	13
686	6	13	3.5	5	0.15	1.1	0.44	48000	57000	1.8
696	6	15	5	5	0.2	1.75	0.67	45000	54000	3.9
607	7	19	6	6	0.3	2.6	1.05	40000	47000	7.6
627	7	22	7	7	0.3	3.3	1.35	31000	37000	13
637	7	26	9	9	0.3	4.55	1.95	26000	32000	24
687	7	14	3.5	5	0.15	1.15	0.51	45000	54000	2
697	7	17	5	5	0.3	1.6	0.71	42000	50000	5.3
608	8	22	7	7	0.3	3.3	1.35	34000	41000	12
628	8	24	8	8	0.3	3.35	1.4	28000	35000	18
638	8	28	9	9	0.3	4.55	1.95	26000	32000	29
688	8	16	4	5	0.2	1.6	0.71	42000	50000	3.2
698	8	19	6	6	0.3	2.25	0.91	39000	46000	7.2
609	9	24	7	7	0.3	3.35	1.4	33000	40000	15
629	9	26	8	8	0.6	4.55	2	27000	33000	20
639	9	30	10	10	0.6	6	2.65	24000	29000	35
689	9	17	4	5	0.2	1.35	0.66	39000	46000	3.5
699	9	20	6	6	0.3	2.45	1.05	35000	42000	7.5



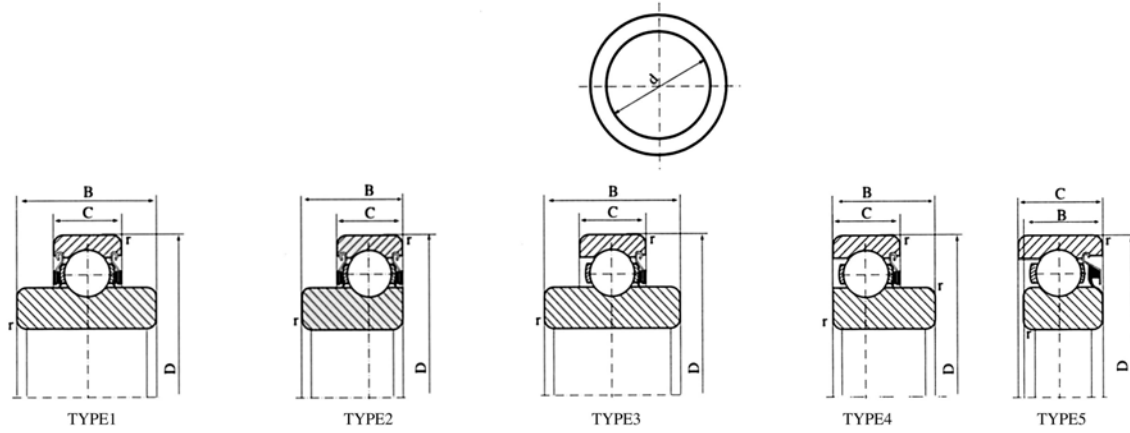
Bearing No.	d	D	B	r (min.)	Basic Load Rating(KN)		Limiting Speed		Weight Kg(pc)
					Dynamic Cr	Static Cor	Grease r/min	Oil r/min	
16001	12	28	7	0.3	5.1	2.4	26000	30000	0.019
16002	15	32	8	0.3	5.6	2.8	22000	26000	0.025
16003	17	35	8	0.3	6.8	3.35	20000	24000	0.032
16004	20	42	8	0.3	7.9	4.5	18000	21000	0.051
16005	25	47	8	0.3	8.35	5.1	15000	18000	0.059
16006	30	55	9	0.3	11.2	7.4	13000	15000	0.091
16007	35	62	9	0.3	11.7	8.2	12000	14000	0.107
16008	40	68	9	0.3	12.6	9.65	10000	12000	0.125
16009	45	75	10	0.6	12.9	10.5	9200	11000	0.171
16010	50	80	10	0.6	13.2	11.3	8400	9800	0.18
16011	55	90	11	0.6	18.6	15.3	7700	9000	0.258
16012	60	95	11	0.6	20	17.5	7000	8300	0.283
16013	65	100	11	0.6	20.5	18.7	6500	7700	0.307
16014	70	110	13	0.6	24.4	22.6	6100	7100	0.441
16015	75	115	13	0.6	25	24	5700	6700	0.464
16016	80	125	14	0.6	25.4	25.1	5300	6200	0.597
16017	85	130	14	0.6	25.9	26.2	5000	5900	0.626
16018	90	140	16	1	33.5	33.5	4700	5600	0.848
16019	95	145	16	1	34.5	35	4500	5300	0.885
16020	100	150	16	1	35	36.5	4200	5000	0.91



Bearing No.	d	D	B	r (min.)	Basic Load Rating(KN)		Limiting Speed		Weight Kg(pc)
					Dynamic Cr	Static Cor	Grease r/min	Oil r/min	
62200	10	30	14	0.6	5.1	2.39	25000	30000	0.044
62201	12	32	14	0.6	6.1	2.75	22000	26000	0.053
62202	15	35	14	0.6	7.75	3.6	19000	23000	0.065
62203	17	40	16	0.6	9.6	4.6	18000	21000	0.096
62204	20	47	18	1	12.8	6.65	16000	18000	0.15
62205	25	52	18	1	14	7.85	13000	15000	0.178
62206	30	62	20	1	19.5	11.3	11000	13000	0.215
62207	35	72	23	1.1	25.7	15.3	9800	11000	0.31
62208	40	80	23	1.1	29.1	17.8	8700	10000	0.406
62209	45	85	23	1.1	32.5	20.4	7800	9200	0.455
62210	50	90	23	1.1	35	23.2	7100	8300	0.496
62211	55	100	25	1.5	43.5	29.2	6400	7600	0.81
62212	60	110	28	1.5	52.5	36	6000	7000	1.03
62213	65	120	31	1.5	57.5	40	5500	6500	
62214	70	125	31	1.5	62	44	5100	6000	
62215	75	130	31	1.5	66	49.5	4800	5600	
62216	80	140	33	2	72.5	53	4500	5300	
62217	85	150	36	2	83.5	64	4200	5000	
62218	90	160	40	2	96	71.5	4000	4700	
62219	95	170	43	2.1	109	82	3700	4400	
62220	100	180	46	2.1	122	93	3500	4200	



Bearing No.	d	D	B	r (min.)	Basic Load Rating(KN)		Limiting Speed		Weight Kg(pc)
					Dynamic Cr	Static Cor	Grease r/min	Oil r/min	
62300	10	35	17	0.6	8.2	3.5	23000	27000	0.073
62301	12	37	17	1	9.7	4.2	20000	24000	0.0814
62302	15	42	17	1	11.4	5.45	17000	21000	0.105
62303	17	47	19	1	13.5	6.55	16000	19000	0.146
62304	20	52	21	1.1	15.9	7.9	14000	17000	0.195
62305	25	62	24	1.1	21.2	10.9	12000	14000	0.306
62306	30	72	27	1.1	26.7	15	10000	12000	0.478
62307	35	80	31	1.5	33.5	19.1	8800	10000	0.647
62308	40	90	33	1.5	40.5	24	7800	9200	0.885
62309	45	100	36	1.5	53	32	7000	8200	1.156
62310	50	110	40	2	62	38.5	6400	7500	1.498
62311	55	120	43	2	71.5	45	5800	6800	1.918
62312	60	130	46	2.1	82	52	5400	6300	2.422
62313	65	140	48	2.1	92.5	60	4900	5800	
62314	70	150	51	2.1	104	68	4600	5400	
62315	75	160	55	2.1	113	77	4300	5000	
62316	80	170	58	2	123	86.5	4000	4700	
62317	85	180	60	3	133	97	3800	4500	
62318	90	190	64	3	143	107	3600	4200	
62319	95	200	67	3	153	119	3300	3900	



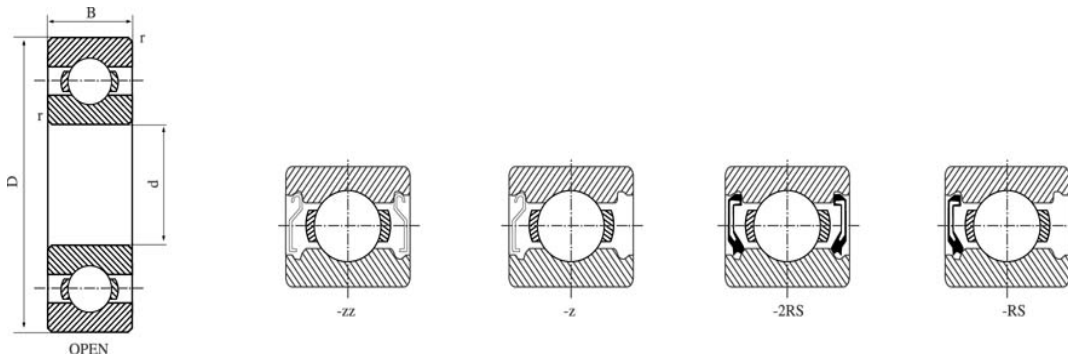
Bearing No.	d	D	C	B	r (min.)	Basic Load Rating(KN)		Limiting Speed		Weight Kg(pc)
						Dynamic	Static	Grease	Oil	
						Cr	Cor	r/min	r/min	
87500	10	30	9	12.7	0.6	5.1	2.39	25000	30000	0.035
87501	12	32	10	12.7	0.6	6.1	2.75	22000	26000	0.044
87502	15	35	11	12.7	0.6	7.75	3.6	19000	23000	0.049
87503	17	40	12	14.288	0.6	9.6	4.6	18000	21000	0.07
87504	20	47	14	15.875	1	12.8	6.65	16000	18000	0.108
87505	25	52	15	15.875	1	14	7.85	13000	15000	0.133
87506	30	62	16	20	1	19.5	11.3	11000	13000	0.23
87507	35	72	17	21	1.1	25.7	15.3	9800	11000	0.321
87508	40	80	21	24	1.1	29.1	17.8	8700	10000	0.486
87509	45	85	21	24	1.1	32.5	20.4	7800	9200	0.545
87510	50	90	22	26	1.1	35	23.2	7100	8300	0.59
87602	15	42	13	15	1	11.4	5.45	17000	21000	0.088
87603	17	47	14	16	1	13.5	6.55	16000	19000	0.117
87604	20	52	15	19	1.1	15.9	7.9	14000	17000	0.16
87605	25	62	17	21	1.1	21.2	10.9	12000	14000	0.272
87606	30	72	19	23	1.1	26.7	15	10000	12000	0.404
87607	35	80	21	25	1.5	33.5	19.1	8800	10000	0.509
87608	40	90	23	27	1.5	40.5	24	7800	9200	0.708
87609	45	100	25	30	1.5	53	32	7000	8200	0.913
88505	25	52	15	16.8	1.0	14.0	7.85	13000	15000	0.147
88506	30	62	16	24	1.0	19.5	11.3	11000	13000	0.235
88507	35	72	17	25	1.1	25.7	15.3	9800	11000	0.33
88508	40	80	21	27	1.1	29.1	17.8	8700	10000	0.448
88509	45	85	21	27	1.1	32.5	20.4	7800	9200	0.498
88510	50	90	22	30	1.1	35.0	23.2	7100	8300	0.554
88511	55	100	22	31	1.5	43.5	29.2	6400	7600	0.76
88512	60	110	23	36	1.5	52.5	36.0	6000	7000	0.963



Bearing No.	d	D	B	r (min.)	Basic Load Rating(KN)		Limiting Speed		Weight Kg(pc)
					Dynamic Cr	Static Cor	Grease r/min	Oil r/min	
4200	10	30	14	0.6	7.7	5.9	15000	20000	0.057
4201	12	32	14	0.6	7.75	6.15	14000	18000	0.062
4202	15	35	14	0.6	9.75	9	12000	16000	0.071
4203	17	40	16	0.6	11.7	10.4	11000	14000	0.106
4204	20	47	18	1	16.4	16	9000	12000	0.165
4205	25	52	18	1	16.3	16.9	7500	9900	0.189
4206	30	62	20	1	22	24.7	6400	8500	0.298
4207	35	72	23	1.1	26.4	30.7	5600	7400	0.46
4208	40	80	23	1.1	33.7	42.4	4700	6300	0.558
4209	45	85	23	1.1	31.9	43.9	4600	6100	0.605
4210	50	90	23	1.1	31.4	44.6	4200	5600	0.651
4211	55	100	25	1.5	37.2	54.1	3800	5000	0.882
4212	60	110	28	1.5	47.9	67.6	3500	4700	1.2
4213	65	120	31	1.5	54.7	78.5	3200	4300	1.59
4214	70	125	31	1.5	62.1	89.8	3100	4100	1.68
4215	75	130	31	1.5	61.6	90.7	2900	3900	1.77
4302	15	42	17	1	13.1	11.7	11000	14000	0.123
4303	17	47	19	1	16.5	15	9400	13000	0.171
4304	20	52	21	1.1	19.5	17	8300	11000	0.227
4305	25	62	24	1.1	26.3	25.7	6700	9000	0.365
4306	30	72	27	1.1	35.5	35.9	5700	7600	0.542
4307	35	80	31	1.5	40.6	41.8	5200	7000	0.752
4308	40	90	33	1.5	46	48.8	4600	6100	1.01
4309	45	100	36	1.5	57.6	62.4	4100	5500	1.35
4310	50	110	40	2	70.4	77.7	3700	5000	1.8
4311	55	120	43	2	84.2	94.4	3400	4600	2.29
4312	60	130	46	2.1	99.2	113	3100	4200	2.87
4313	65	140	48	2.1	107	124	2900	3900	3.46
4314	70	150	51	2.1	115	136	2700	3600	4.21
4315	75	160	55	2.1	132	158	2500	3400	5.15



Bearing No.	d	D	B	r (min.)	Basic Load Rating(KN)		Limiting Speed		Weight Kg(pc)
					Dynamic Cr	Static Cor	Grease r/min	Oil r/min	
5200	10	30	14.3	0.6	6.95	3.80	14000	19000	0.049
5201	12	32	15.9	0.6	9.15	5.05	13000	17000	0.057
5202	15	35	15.9	0.6	10.0	6.05	11000	15000	0.064
5203	17	40	17.5	0.6	12.80	7.90	9900	13000	0.096
5204	20	47	20.6	1.0	19.00	12.10	8800	12000	0.153
5205	25	52	20.6	1.0	20.60	14.30	7300	9800	0.175
5206	30	62	23.8	1.0	28.60	20.40	6300	8400	0.286
5207	35	72	27.0	1.1	38.00	27.80	5500	7400	0.436
5208	40	80	30.2	1.1	42.50	32.50	4900	6600	0.590
5209	45	85	30.2	1.1	48.00	37.00	4400	5900	0.640
5210	50	90	30.2	1.1	51.00	42.00	4000	5300	0.689
5211	55	100	33.3	1.5	63.00	53.00	3600	4900	0.986
5212	60	110	36.5	1.5	71.50	58.50	3400	4500	1.27
5213	70	125	39.7	1.5	90.50	79.50	2900	3900	1.80
5215	75	130	41.3	1.5	90.00	80.50	2700	3600	1.90
5302	15	42	19	1.0	17.20	10.10	9900	13000	0.132
5303	17	47	22.2	1.0	20.40	12.10	9000	12000	0.181
5304	20	52	22.2	1.1	20.60	12.70	8000	11000	0.127
5305	25	62	25.4	1.1	30.50	20.50	6700	8900	0.362
5306	30	72	30.2	1.1	39.50	27.50	5700	7600	0.553
5307	35	80	34.9	1.5	49.50	35.00	5000	6600	0.776
5308	40	90	36.5	1.5	60.50	44.00	4400	5900	1.01
5309	45	100	39.7	1.5	72.50	54.00	4000	5300	1.340
5310	50	110	44.4	2.0	85.50	64.50	3600	4800	1.81



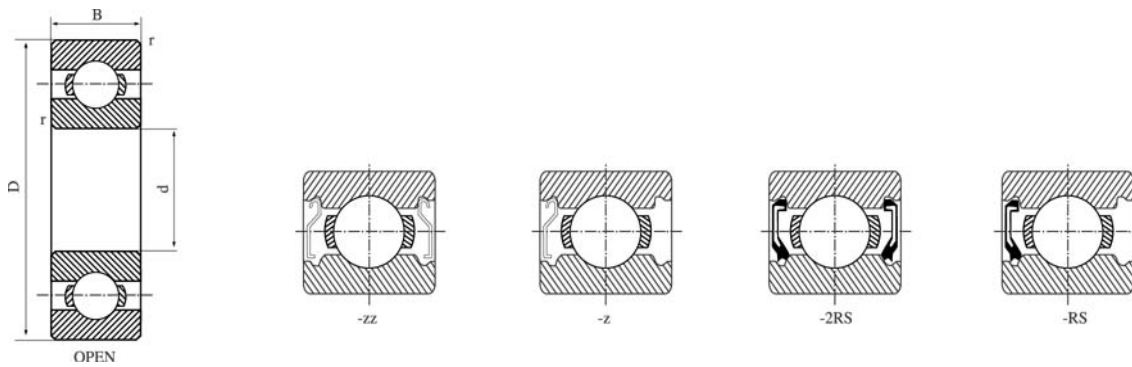
Bearing No.	d	D	B	B1	r (min.)	Basic Load Rating(KN)		Weight Kg(pc)
						Dynamic Cr	Static Cor	
R6	9.525	22.225	5.558	7.142	0.3	2.57	1.36	0.0096
R8	12.7	28.575	6.35	7.938	0.3	5.11	2.39	0.0169
R10	15.875	34.925	7.144	8.73	0.6	6	3.25	0.0292
R12	19.05	41.275	7.938	11.112	0.6	9.38	5.03	0.0447
R14	22.225	47.625	9.525	12.7	0.6	10.06	5.85	0.0748
R16	25.4	50.8	9.525	12.7	0.6	10.06	5.85	0.0808
R18	28.575	53.975	9.525	12.7	0.6	13.23	8.3	0.0847
R20	31.75	57.15	9.525	12.7	1	13.23	8.3	0.0903
R22	34.925	63.5	11.112	14.288	1	16.21	10.42	0.1332
R24	38.1	66.675	11.112	14.288	1	17.03	11.7	0.1384

Notes:

B - Width for Open Types

B1 - Width for ZZ/2RS Type

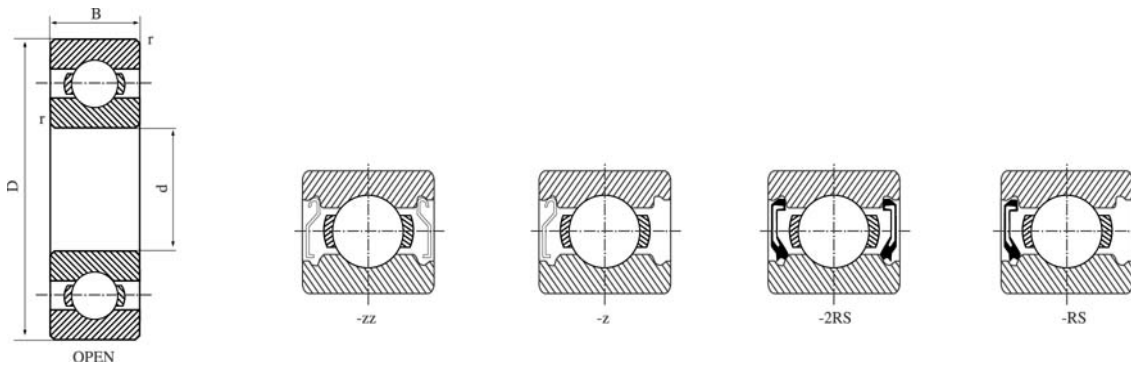
Inch single row deep groove ball bearings




Bearing No.			Boundary Dimensions						Basic Load Ratings		Weight
OPEN	Shields	Seals	d		D		B		Cr	Cor	kg
			mm	inch	mm	inch	mm	inch	KN	KN	
1601	ZZ	2RS	4.763	0.1875	17.463	0.6875	*6.35	0.2500	1.511	0.724	0.0070
1602	ZZ	2RS	6.350	0.2500	17.463	0.6875	*6.35	0.2500	1.511	0.724	0.0060
1603	ZZ	2RS	7.938	0.3125	22.225	0.8750	○7.144	0.2812	2.547	1.342	0.0110
1604	ZZ	2RS	9.525	0.3750	22.225	0.8750	○7.144	0.2812	2.547	1.342	0.0150
1605	ZZ	2RS	7.938	0.3125	22.225	0.9062	7.938	0.3125	2.547	1.342	0.0120
1606	ZZ	2RS	9.525	0.3750	23.019	0.9062	7.938	0.3125	3.556	1.938	0.0130
1607	ZZ	2RS	11.113	0.4375	23.019	0.9062	7.938	0.3125	3.921	2.245	0.0160
1614	ZZ	2RS	9.525	0.3750	28.575	1.1250	9.525	0.3750	5.110	2.390	0.0286
1615	ZZ	2RS	11.112	0.4375	28.575	1.1250	9.525	0.3750	5.110	2.390	0.0267
1616	ZZ	2RS	12.700	0.5000	28.575	1.3750	9.525	0.3750	5.110	2.390	0.0247
1620	ZZ	2RS	11.113	0.4375	34.925	1.3750	11.112	0.4375	7.640	3.720	0.0520
1621	ZZ	2RS	12.700	0.5000	34.925	1.3750	11.112	0.4375	7.640	3.720	0.0490
1622	ZZ	2RS	14.288	0.5625	34.925	1.3750	11.112	0.4375	7.640	3.720	0.0464
1623	ZZ	2RS	15.875	0.6250	34.925	1.6250	11.112	0.4375	7.640	3.720	0.0432
1628	ZZ	2RS	15.875	0.6250	41.275	1.6250	12.700	0.5000	9.570	4.790	0.0788
1630	ZZ	2RS	19.050	0.7500	41.275	1.7500	12.700	0.5000	9.380	5.030	0.0779
1633	ZZ	2RS	15.875	0.6250	44.450	1.7500	12.700	0.5000	9.380	5.030	0.1000
1635	ZZ	2RS	19.050	0.7500	44.450	2.0000	12.700	0.5000	9.380	5.030	0.0914
1638	ZZ	2RS	19.050	0.7500	50.800	2.0000	14.288	0.5625	12.840	6.650	0.1421
1640	ZZ	2RS	22.225	0.8750	50.800	2.0000	14.288	0.5625	12.840	6.650	0.1306
1641	ZZ	2RS	25.400	1.0000	50.800	2.5000	14.288	0.5625	14.020	7.880	0.1090
1652	ZZ	2RS	28.575	1.1250	63.500	2.5000	15.875	0.6250	16.210	10.420	0.2238
1654	ZZ	2RS	31.750	1.2500	63.500	2.5000	15.875	0.6250	16.210	10.420	0.2056
1657	ZZ	2RS	31.750	1.2500	65.088	2.5625	17.462	0.6875	16.210	10.420	0.2386
1658	ZZ	2RS	33.338	1.3125	65.088	2.5625	17.462	0.6875	16.210	10.420	0.2359

Notes:

- * Width for RS/2RS=5/16" 7.938mm
- Width for RS/2RS=11/32" 8.731mm



OPEN	Bearing No.		Boundary Dimensions				Basic Load Ratings		Weight
	Shields	Seals	d mm	D mm	B mm	r min mm	Cr KN	Cor KN	kg
RLS4	ZZ	2RS	12.7	33.338	9.525	0.8	6.25	2.8	0.041
RLS5	ZZ	2RS	15.875	39.688	11.113	0.8	9.75	4.9	0.068
RLS6	ZZ	2RS	19.05	47.625	14.288	1.6	13.1	6.8	0.113
RLS7	ZZ	2RS	22.225	47.625	14.288	1.6	14.2	7.85	0.122
RLS8	ZZ	2RS	25.4	57.15	15.875	1.6	18.2	9.85	0.177
RLS9	ZZ	2RS	28.575	63.5	15.875	1.6	19.8	11.5	0.277
RLS10	ZZ	2RS	31.75	69.85	17.463	1.6	19.9	11.9	0.3
RLS11	ZZ	2RS	34.925	76.2	17.463	1.6	21.3	13.6	0.35
RLS12	ZZ	2RS	38.1	82.55	19.05	2.4	29.7	18.2	0.45
RLS13	ZZ	2RS	41.275	88.9	19.05	2.4	33.3	20.7	0.52
RMS4	ZZ	2RS	12.7	41.275	15.875	1.6	9.65	4.5	0.104
RMS5	ZZ	2RS	15.875	46.038	15.875	1.6	11.8	5.65	0.122
RMS6	ZZ	2RS	19.05	50.8	17.462	1.6	14.1	6.95	0.163
RMS7	ZZ	2RS	22.225	57.15	17.462	2.4	18.95	9.55	0.204
RMS8	ZZ	2RS	25.4	63.5	19.05	2.4	21	11.5	0.258
RMS9	ZZ	2RS	28.575	71.438	20.638	2.4	27.2	15.3	0.39
RMS10	ZZ	2RS	31.75	79.375	22.225	2.4	30.6	17.5	0.47



Ningbo Accor Machinery (Bearings) Co Ltd

Add: 4F, 675 Shiji Avenue, Jiangdong, Ningbo 315040, China

Ph: +86 574 87939850, 87939855

Fax: +86 574 87939860

E-mail: accor@accormachinery.com.cn

[http:// www.accorbearings.com](http://www.accorbearings.com) , www.accormachinery.com