

BECO Italy

**Extreme Temperature
Bearings**

Catalogue 2010

ENGLISH EDITING

Ball bearing for high temperature

01 - 51

BHT 2RS 150°

04 - 08

BHT 2RS 150° (61800 Serie)

05

BHT 2RS 150° (6000 Serie)

06

BHT 2RS 150° (6200 Serie)

07

BHT 2RS 150° (6300 Serie)

08

BHT 2RS VT 200°

09 - 13

BHTS 2RS VT 200° (61800 Serie)

10

BHTS 2RS VT 200° (6000 Serie)

11

BHTS 2RS VT 200° (6200 Serie)

12

BHTS 2RS VT 200° (6300 Serie)

13

BHTS ZZ 200°

14 - 19

BHTS ZZ 200° (61800 Serie)

15

BHTS ZZ 200° (6000 Serie)

16

BHTS ZZ 200° (6200 Serie)

17

BHTS ZZ 200° (6300 Serie)

18

BHTS ZZ 200° (UC Serie)

19

BHTS 2RS VT 250°-280°

20 - 30

BHTS 2RS VT 250°-280° (Micro Serie)

21

BHTS 2RS VT 250°-280° (61800 Serie)

22

BHTS 2RS VT 250°-280° (61900 Serie)

23

BHTS 2RS VT 250°-280° (6000 Serie)

24

BHTS 2RS VT 250°-280° (6200 Serie)

25

BHTS 2RS VT 250°-280° (6300 Serie)

26

BHTS 2RS VT 250°-280° (UC Serie)

27

BHTS 2RS VT 250°-280° (UCPA Serie)

28

BHTS 2RS VT 250°-280° (UCF Serie)

29

BHTS 2RS VT 250°-280° (UCP Serie)

30

BHTS 320°

31 - 36

BHT 320° (MICRO Serie)

32

BHT 320° (61800 Serie)

33

BHT 320° (6000 Serie)

34

BHT 320° (6200 Serie)

35

BHT 320° (6300 Serie)

36

BHTS ZZ 280°

37 - 47

BHTS ZZ 280° (MICRO Serie)

38

BHTS ZZ 280° (61800 Serie)

39

BHTS ZZ 280° (61900 Serie)

40

BHTS ZZ 280° (6000 Serie)

41

BHTS ZZ 280° (6200 Serie)

42

BHTS ZZ 280° (6300 Serie)

43

BHTS ZZ 280° (UC Serie)	44
BHTS ZZ 280° (UCPA Serie)	45
BHTS ZZ 280° (UCF Serie)	46
BHTS ZZ 280° (UCP Serie)	47
BHTS Z 320°	48 - 51
BHTS Z 320° (6000 Serie)	49
BHTS Z 320° (6200 Serie)	50
BHTS Z 320° (6300 Serie)	51

Extreme Temperature Bearings **52 - 63**

BHTS ZZ GR CG 350°	52 - 59
BHTS ZZ GR CG 350° (6000 Serie)	53
BHTS ZZ GR CG 350° (6200 Serie)	54
BHTS ZZ GR CG 350° (6300 Serie)	55
BHTS ZZ GR CG 350° (UC Serie)	56
BHTS ZZ GR CG 350° (UCPA Serie)	57
BHTS ZZ GR CG 350° (UCF Serie)	58
BHTS ZZ GR CG 350° (UCF Serie)	59
BHT FB 400°	60 - 63
BHT FB 400° (6000 Serie)	61
BHT FB 400° (6200 Serie)	62
BHT FB 400° (6300 Serie)	63

Low Temperature Bearings **64 - 67**

BLS ZZ -50°	64 - 67
BLS ZZ -50° (6000 Serie)	65
BLS ZZ -50° (6200 Serie)	66
BLS ZZ -50° (6300 Serie)	67

Stainless Steel Bearings **68 - 95**

BSS 316	69 - 72
BSS 316 (6000 Serie)	70
BSS 316 (6200 Serie)	71
BSS 316 (6300 Serie)	72
BSS 316 ZZ	73 - 76
BSS 316 ZZ (6000 Serie)	74
BSS 316 ZZ (6200 Serie)	75
BSS 316 ZZ (6300 Serie)	76

BSS	77 - 80
BSS (6000 Serie)	78
BSS (6200 Serie)	79
BSS (6300 Serie)	80
BSS 2RS	81 - 91
BSS 2RS (MICRO Serie)	82
BSS 2RS (61800 Serie)	83
BSS 2RS (61900 Serie)	84
BSS 2RS (6000 Serie)	85
BSS 2RS (6200 Serie)	86
BSS 2RS (6300 Serie)	87
BSS 2RS (UC Serie)	88
BSS 2RS (UCPA Serie)	89
BSS 2RS (UCP Serie)	90
BSS 2RS (UCPL Serie)	91
BSS ZZ	92 - 95
BSS ZZ (6000 Serie)	93
BSS ZZ (6200 Serie)	94
BSS ZZ (6300 Serie)	95

Spherical Plan Bearings. Rod Ends **96 - 116**

Spherical Plain Bearings	97-104
Axial Spherical Plain Bearings	105
Angular contact spherica	106
Spherical Plain Bearings	108 - 111
Rod ends	112 - 115
Rod ends tor hydraulic components	116

Industrial Components **117 - 123**

Belt tensioner for automotive application	118
Trucks	119
Bearings for fork lift	120
Bearings for internal handling	121
Bearings and units for agricultural machines	122
Hydraulic cylinders	123

BECO CATALOGUE 2010, BEARINGS FOR EXTREME TEMPERATURES

We have the pleasure of introducing you to our new 2010 catalogue, which, in the Beco tradition, presents several innovations and improvements over the previous edition; especially after the success of the first production, it has an increased number of available products with Viton seals for 250° 280°.

We have increased the range of bearings with graphite cage, now making the application available also on the self aligning supports.

We introduce a new full ball range of bearings for 400°, able to operate, even if with limitations on duration of time, at considerable higher temperatures.

Our range of low temperature bearings, down to -50°, which was previously produced only upon customer request, has become standard and ready from stock.

Regarding the range of stainless steel bearings, rises a new range produced in AISI 630 able to obtain results of complete rustproof and load resistance, which in the past were not able to conjugate.

Regarding the production of industrial components, the steel wheel production for extreme temperatures, which in the past were produced only upon customer drawings, become standard.

For the industrial components range, we have expanded the information and descriptions in order for our distributors to better use them and to identify the potential customers.

Deep Groove Ball Bearings For High Temperature



Deep Groove Ball Bearings For High Temperature Manganese Phosphatized



Deep Groove Ball Bearings For Extreme Temperature



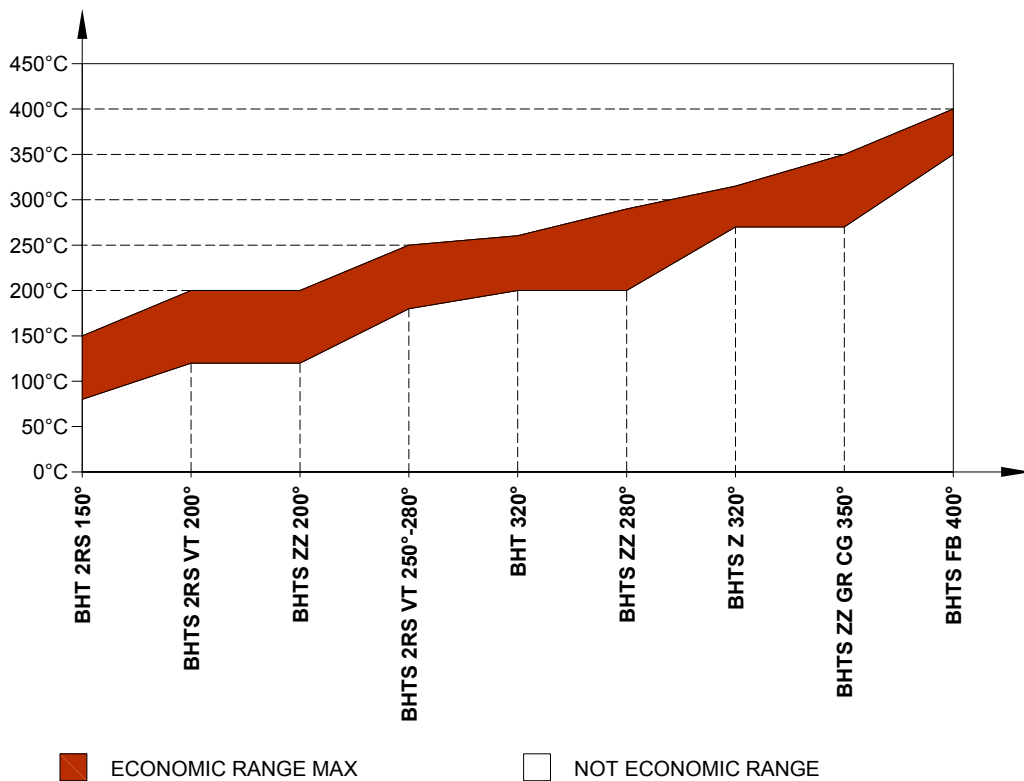
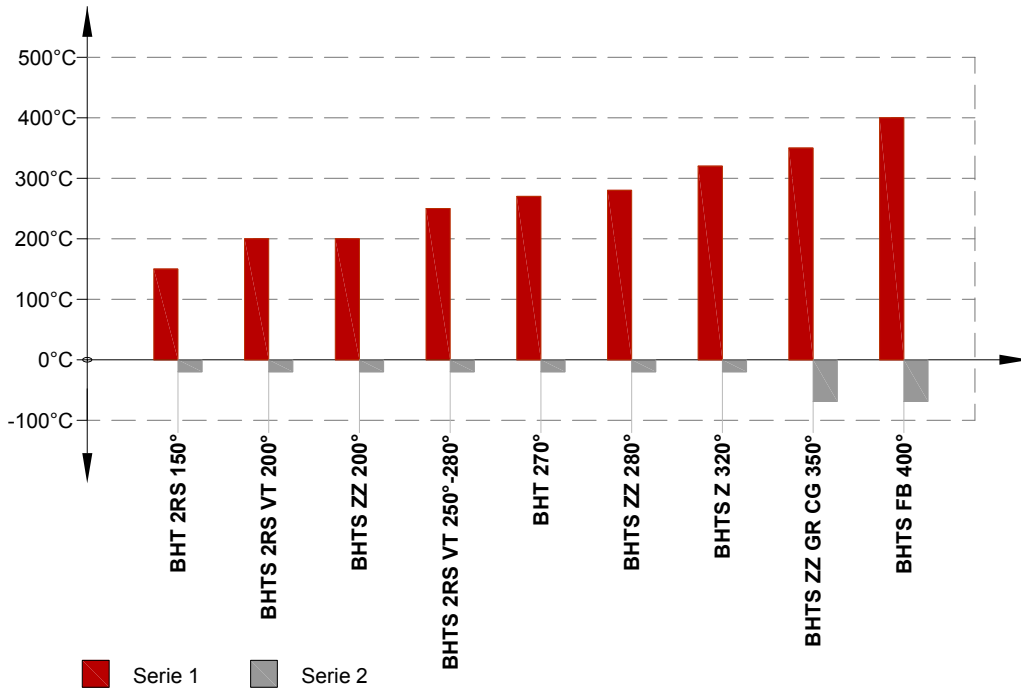
BECO Italy

	Speed Low	Speed Medium	Speed High	Maintenace Free	Very Heavy Load	Evinroment Dirty	Vibration Medium High	Temp. >200°	Temp. >270°	Temp. >320°	Budget Low	Availability Stock	Availability 30-60 days
BHT 2RS 150°	Y	Y	Y	Y	N	Y	Y/N	N	N	N	Y	Y	Y
BHT 2RS VT 200°	Y	Y	Y	Y	N	Y	Y/N	N	N	N	Y/N	Y	Y
BHTS ZZ 200°	Y	Y	Y	Y	N	N	Y/N	N	N	N	Y	Y	Y
BHTS 2RS VT 250°-280°	Y	Y	N	Y	N	Y	Y/N	Y	N	N	Y/N	Y/N	Y
BHT 320°	Y	N	N	N	N	Y/N	Y/N	Y	Y	N	Y	Y	Y
BHTS ZZ 280°	Y	Y	N	Y	N	N	Y/N	Y	Y	N	Y	Y	Y
BHTS Z 320°	Y	N	N	N	N	Y/N	Y/N	Y	Y	N	Y	Y	Y
BHTS ZZ GR CG 350°	Y	N	N	Y	N	N	N	Y	Y	Y	N	Y	Y
BHT FB 400°	Y	N	N	N	Y	Y/N	Y	Y	Y	Y	Y/N	Y/N	Y

Y = Match completely; Y/N = Match partially; N = D'ont match

Speed Low	Normal application < 100 Rpm
Speed Medium	Normal application < 1000 Rpm
Speed High	Normal application > 1000 Rpm
Maintenace Free	Do not need additional grease or oil dropping
Very Heavy Load	Load over the normal caracteristic of the bearing
Evinroment Dirty	Difficult condition of work
Vibration Medium high	Unusual vibration for the application
Temp > 200°	Suggested for temperature
Temp > 270°	Suggested for temperature
Temp > 320°	Suggested for temperature
Budget Low	Bearing with high relation price/value
Availability Stock	Bearing normally available from stock
Availability 30-60 days	Bearing normally available from production

BECO Italy



Ball bearings for high temperatures

BHT 2RS 150°

The bearings BHT 2RS for 150° are developed on the base of a standard structure but with special stabilization treatment, radial clearance, greases and special plates which make them suitable to operate from -30 to +150°.

Their application range is extremely wide and covers almost all the areas of application, particularly the bearing in BHT 2RS 150° allows a wide range of safety in all applications where it can also occur temporarily and for reason not dependent on the will of the designer, occasional phenomenal of overheating.

The current trend of globalization of supply, often creates situations of application of products not predictable and not calculable; the bearing BHT 2RS 150° allows additional security at very low cost.

Technical characteristics:

Material Steel AISI 52100 (Chrome) stabilized for the application
C4 Radial clearance
Seals 2RS in steel with vulcanized rubber for 150°
Greasing with grease for temperature up to 200°

Fields of application:

Air Conveyors
Transmission chains
Industrial fan
Industrial heaters
Various oven components
Agricultural machinery

Ball bearings for high temperatures

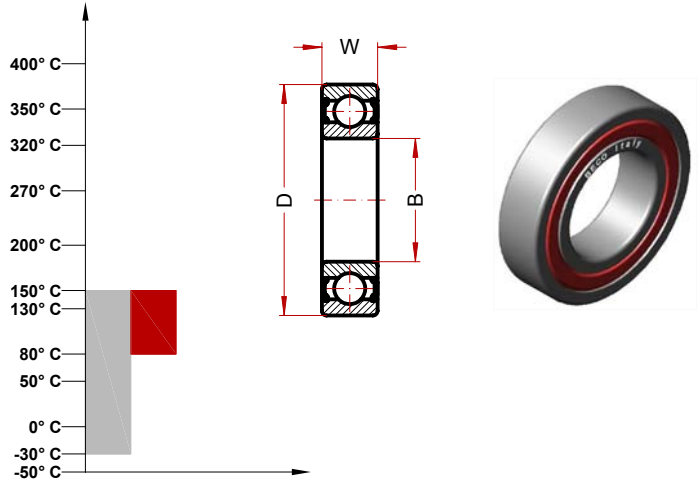
BHT 2RS 150° (61800 Serie)

MAX TEMP CELSIUS 150° C

MAX TEMP FAHRENHEIT 300° F

SUGGESTED RANGE 80-150° C

SUGGESTED RANGE 180-300° F



Designation	Bore (B)	Diam (D)	Widht (W)	Weight g	Speed RPM/min (*)	Static Load kN
61800 BHT 2RS 150°	10	19	5	6	10000	0.53
61801 BHT 2RS 150°	12	21	5	7	10000	0.95
61802 BHT 2RS 150°	15	24	5	8	10000	1.25
61803 BHT 2RS 150°	17	26	5	9	10000	1.45
61804 BHT 2RS 150°	20	32	7	18	10000	2.24
61805 BHT 2RS 150°	25	37	7	24	9000	2.8
61806 BHT 2RS 150°	30	42	7	27	8000	3.35
61807 BHT 2RS 150°	35	47	7	32	7000	3.6
61808 BHT 2RS 150°	40	52	7	35	6000	4.25
61809 BHT 2RS 150°	45	58	7	42	5000	5.6
61810 BHT 2RS 150°	50	65	7	52	4500	6.3
61811 BHT 2RS 150°	55	72	9	81	4000	8.5
61812 BHT 2RS 150°	60	78	10	105	3500	11
61813 BHT 2RS 150°	65	85	10	124	3000	12
61814 BHT 2RS 150°	70	90	10	133	2500	12.5
61815 BHT 2RS 150°	75	95	10	143	2000	13.4

Static load and max speed are calculated for the maximum temperature of application we supply this technical information only for help customer in the choice. Due the extremely difference in the condition of application. We suggest to the customer to contact our engineering service and made pratical test for check in the real condition the pratical working.

Ball bearings for high temperatures

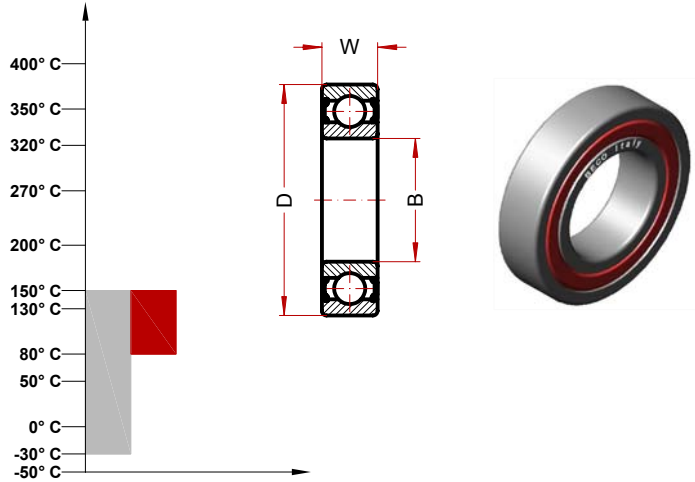
BHT 2RS 150° (6000 Serie)

MAX TEMP CELSIUS 150° C

MAX TEMP FAHRENHEIT 300° F

SUGGESTED RANGE 80-150° C

SUGGESTED RANGE 180-300° F



Designation	Bore (B)	Diam (D)	Widht (W)	Weight g	Speed RPM/min (*)	Static Load kN
6000 BHT 2RS 150°	10	26	8	20	10000	1.96
6001 BHT 2RS 150°	12	28	8	25	10000	2.36
6002 BHT 2RS 150°	15	32	9	30	10000	2.85
6003 BHT 2RS 150°	17	35	10	40	9000	3.25
6004 BHT 2RS 150°	20	42	12	69	8000	5
6005 BHT 2RS 150°	25	47	12	80	7000	5.85
6006 BHT 2RS 150°	30	55	13	120	6000	8
6007 BHT 2RS 150°	35	62	14	160	5000	10.4
6008 BHT 2RS 150°	40	68	15	190	4500	11.8
6009 BHT 2RS 150°	45	75	16	250	4000	14.3
6010 BHT 2RS 150°	50	80	16	260	3500	15.6
6011 BHT 2RS 150°	55	90	18	390	3000	21.2
6012 BHT 2RS 150°	60	95	18	420	2500	23.2
6013 BHT 2RS 150°	65	100	18	440	2000	25
6014 BHT 2RS 150°	70	110	20	600	2000	31.5
6015 BHT 2RS 150°	75	115	20	640	2000	34

Static load and max speed are calculated for the maximum temperature of application we supply this technical information only for help customer in the choice. Due the extremely difference in the condition of application. We suggest to the customer to contact our engineering service and made pratical test for check in the real condition the pratical working.

Ball bearings for high temperatures

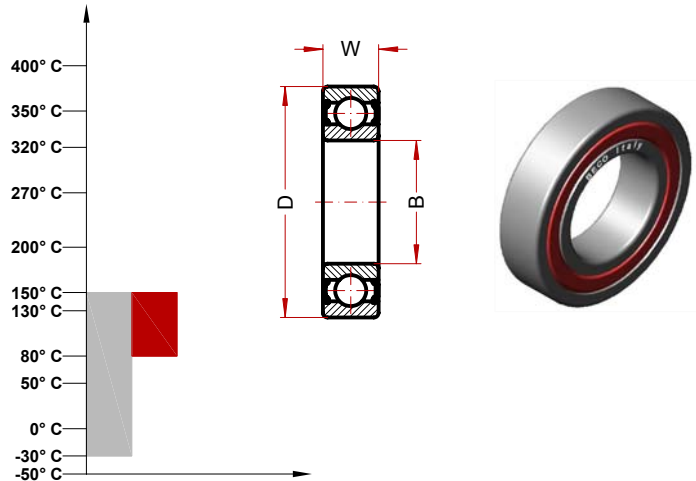
BHT 2RS 150° (6200 Serie)

MAX TEMP CELSIUS 150° C

MAX TEMP FAHRENHEIT 300° F

SUGGESTED RANGE 80-150° C

SUGGESTED RANGE 180-300° F



Designation	Bore (B)	Diam (D)	Widht (W)	Weight g	Speed RPM/min (*)	Static Load kN
6200 BHT 2RS 150°	10	30	9	30	10000	2.6
6201 BHT 2RS 150°	12	32	10	37	10000	3.1
6202 BHT 2RS 150°	15	35	11	45	10000	3.75
6203 BHT 2RS 150°	17	40	12	65	9000	4.75
6204 BHT 2RS 150°	20	47	14	110	8000	6.55
6205 BHT 2RS 150°	25	52	15	130	7000	8
6206 BHT 2RS 150°	30	62	16	200	6000	11.2
6207 BHT 2RS 150°	35	72	17	290	5000	15.3
6208 BHT 2RS 150°	40	80	18	370	4000	18
6209 BHT 2RS 150°	45	85	19	410	3500	20.4
6210 BHT 2RS 150°	50	90	20	460	3000	24
6211 BHT 2RS 150°	55	100	21	610	2500	29
6212 BHT 2RS 150°	62	110	22	780	2000	36
6213 BHT 2RS 150°	65	120	23	990	2000	41.5
6214 BHT 2RS 150°	70	125	24	1040	2000	44
6215 BHT 2RS 150°	75	130	25	1210	1750	49
6216 BHT 2RS 150°	80	140	26	1400	1500	55
6217 BHT 2RS 150°	85	150	28	1800	1250	64
6218 BHT 2RS 150°	90	160	30	2150	1000	73.5
6219 BHT 2RS 150°	95	170	32	2600	1000	81.5
6220 BHT 2RS 150°	100	180	34	3150	1000	93

Static load and max speed are calculated for the maximum temperature of application we supply this technical information only for help customer in the choice. Due the extremely difference in the condition of application. We suggest to the customer to contact our engineering service and made pratical test for check in the real condition the pratical working.

Ball bearings for high temperatures

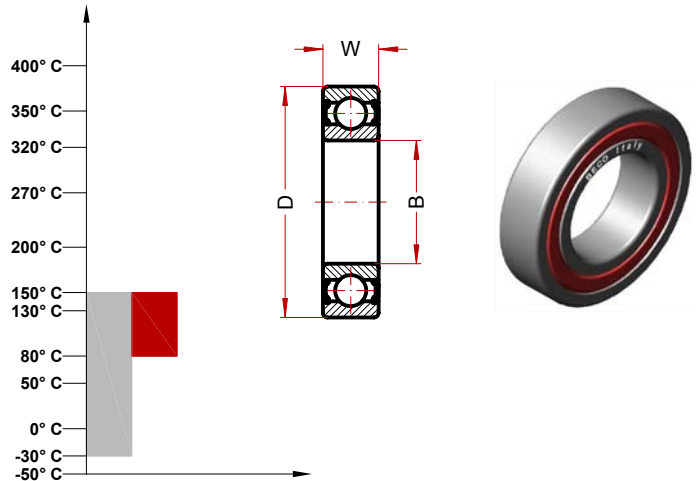
BHT 2RS 150° (6300 Serie)

MAX TEMP CELSIUS 150° C

MAX TEMP FAHRENHEIT 300° F

SUGGESTED RANGE 80-150° C

SUGGESTED RANGE 180-300° F



Designation	Bore (B)	Diam (D)	Width (W)	Weight g	Speed RPM/min (*)	Static Load kN
6300 BHT 2RS 150°	10	35	11	52	10000	3.45
6301 BHT 2RS 150°	12	37	12	60	9500	4.15
6302 BHT 2RS 150°	15	42	13	80	9000	5.4
6303 BHT 2RS 150°	17	47	14	120	8000	6.55
6304 BHT 2RS 150°	20	52	15	140	7000	8.5
6305 BHT 2RS 150°	25	62	17	225	6000	11.4
6306 BHT 2RS 150°	30	72	19	350	5000	16.3
6307 BHT 2RS 150°	35	80	21	450	4000	19
6308 BHT 2RS 150°	40	90	23	620	3500	25
6309 BHT 2RS 150°	45	100	25	830	3000	32
6310 BHT 2RS 150°	50	110	27	1050	2500	38
6311 BHT 2RS 150°	55	120	29	1350	2000	47.5
6312 BHT 2RS 150°	60	130	31	1700	2000	52
6313 BHT 2RS 150°	65	140	33	2100	2000	60
6314 BHT 2RS 150°	70	150	35	2500	1750	68
6315 BHT 2RS 150°	75	160	37	3000	1500	76.5
6316 BHT 2RS 150°	80	170	39	3600	1250	86.5
6317 BHT 2RS 150°	85	180	41	4250	1000	96.5
6318 BHT 2RS 150°	90	190	43	4900	1000	108
6319 BHT 2RS 150°	95	200	45	5650	1000	118
6320 BHT 2RS 150°	100	215	47	7000	1000	140

Static load and max speed are calculated for the maximum temperature of application we supply this technical information only for help customer in the choice. Due the extremely difference in the condition of application. We suggest to the customer to contact our engineering service and made practical test for check in the real condition the practical working.

Ball bearing for high temperature

BHTS 2RS VT 200°

The bearings BHTS 2RS VT 200° are designed based on the dimensions of a standard bearing but with appropriate treatment of stabilization, radial clearance, greases and special Viton plates which make them suitable to operate from 30 to 200°.

Their application range is extremely wide and covers almost all areas of application, particularly the bearing in BHT 2RS VT 200° allows a wide range of safety in all applications where it can also occur temporarily and for reason not dependent on the will of the designer, occasional phenomenal of overheating.

The current trend of globalization of supply, often creates situations of application of products not predictable and not calculable; the bearing BHT 2RS VT 200° allows total security, impossible with standard products.

The Viton seals in which these bearings are equipped with are suitable for much higher temperatures to a point of 280°, but the overall structure of the bearing can be safely used up to 200°.

Even though the bearing BHTS 2RS VT 200° is designed exclusively for applications in high temperatures, the Viton characteristics make it resistant to many types of acids. With regards to special applications in the presences of acid, consult the catalogue on stainless steel bearings. For needs relating to problems of acids added to temperature problems, there are high temperature stainless steel bearings available with Viton seals.

Technical characteristics:

Material steel AISI 52100 (Chrome) stabilized for the application

C4 radial clearance

Seals 2RS in steel with vulcanized rubber for 200° Viton

Greasing with grease for temperatures up to 200° (with a drop point of 320°)

Fields of application:

Air conveyors

Industrial fan

Packaging machinery

Steel industry

Ceramic industry

Papermaking industry

Ball bearing for high temperature

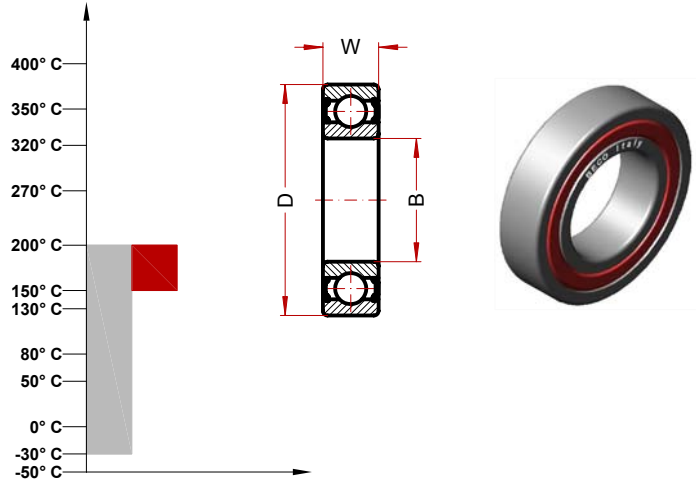
BHTS 2RS VT 200° (61800 Serie)

MAX TEMP CELSIUS 200° C

MAX TEMP FAHRENHEIT 392° F

SUGGESTED RANGE 120°-200° C

SUGGESTED RANGE 242°-392° F



Designation	Bore (B)	Diam (D)	Widht (W)	Weight g	Speed RPM/min (*)	Static Load kN
61800 BHTS 2RS VT 200°	10	19	5	6	6000	0.47
61801 BHTS 2RS VT 200°	12	21	5	7	6000	0.85
61802 BHTS 2RS VT 200°	15	24	5	8	6000	1.12
61803 BHTS 2RS VT 200°	17	26	5	9	6000	1.3
61804 BHTS 2RS VT 200°	20	32	7	18	5600	2.01
61805 BHTS 2RS VT 200°	25	37	7	24	5400	2.52
61806 BHTS 2RS VT 200°	30	42	7	27	5000	3
61807 BHTS 2RS VT 200°	35	47	7	32	4800	3.24
61808 BHTS 2RS VT 200°	40	52	7	35	4400	3.8
61809 BHTS 2RS VT 200°	45	58	7	42	4000	5.04
61810 BHTS 2RS VT 200°	50	65	7	52	3600	5.6
61811 BHTS 2RS VT 200°	55	72	9	81	3200	7.6
61812 BHTS 2RS VT 200°	60	78	10	105	2800	9.9
61813 BHTS 2RS VT 200°	65	85	10	124	2600	10.8
61814 BHTS 2RS VT 200°	70	90	10	133	2000	11.2

Static load and max speed are calculated for the maximum temperature of application we supply this technical information only for help customer in the choice. Due the extremely difference in the condition of application. We suggest to the customer to contact our engineering service and made pratical test for check in the real condition the pratical working.

Ball bearing for high temperature

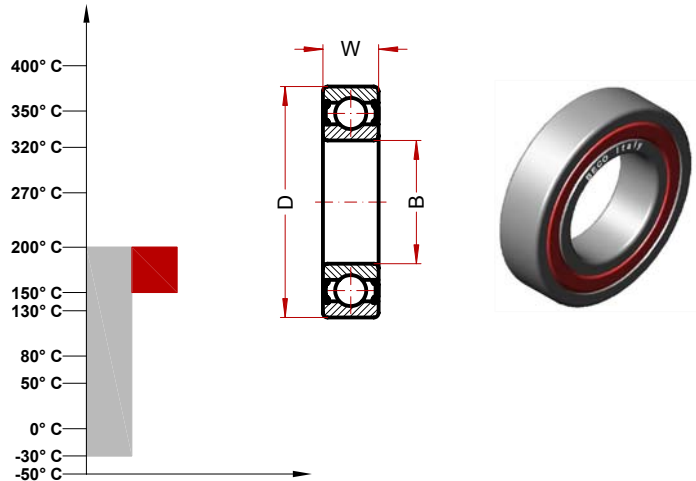
BHTS 2RS VT 200° (6000 Serie)

MAX TEMP CELSIUS 200° C

MAX TEMP FAHRENHEIT 392° F

SUGGESTED RANGE 120°-200° C

SUGGESTED RANGE 242°-392° F



Designation	Bore (B)	Diam (D)	Widht (W)	Weight g	Speed RPM/min (*)	Static Load kN
6000 BHTS 2RS VT 200°	10	26	8	20	6000	1.76
6001 BHTS 2RS VT 200°	12	28	8	25	5800	2.1
6002 BHTS 2RS VT 200°	15	32	9	30	5600	2.5
6003 BHTS 2RS VT 200°	17	35	10	40	5400	2.9
6004 BHTS 2RS VT 200°	20	42	12	69	5200	4.5
6005 BHTS 2RS VT 200°	25	47	12	80	4800	5.2
6006 BHTS 2RS VT 200°	30	55	13	120	4400	7.2
6007 BHTS 2RS VT 200°	35	62	14	160	4000	9.3
6008 BHTS 2RS VT 200°	40	68	15	190	3600	10.6
6009 BHTS 2RS VT 200°	45	75	16	250	3200	12.8
6010 BHTS 2RS VT 200°	50	80	16	260	2800	14
6011 BHTS 2RS VT 200°	55	90	18	390	2400	19
6012 BHTS 2RS VT 200°	60	95	18	420	2000	20.8
6013 BHTS 2RS VT 200°	65	100	18	440	1800	22.5
6014 BHTS 2RS VT 200°	70	110	20	600	1600	28.3
6015 BHTS 2RS VT 200°	75	115	20	640	1400	30.6
6016 BHTS 2RS VT 200°	80	125	22	850	1200	36
6017 BHTS 2RS VT 200°	85	130	22	890	1000	38.7
6018 BHTS 2RS VT 200°	90	140	24	1150	900	45
6019 BHTS 2RS VT 200°	95	145	24	1200	800	48.6
6020 BHTS 2RS VT 200°	100	150	24	1250	700	48.6

Static load and max speed are calculated for the maximum temperature of application we supply this technical information only for help customer in the choice. Due the extremely difference in the condition of application. We suggest to the customer to contact our engineering service and made pratical test for check in the real condition the pratical working.

Ball bearing for high temperature

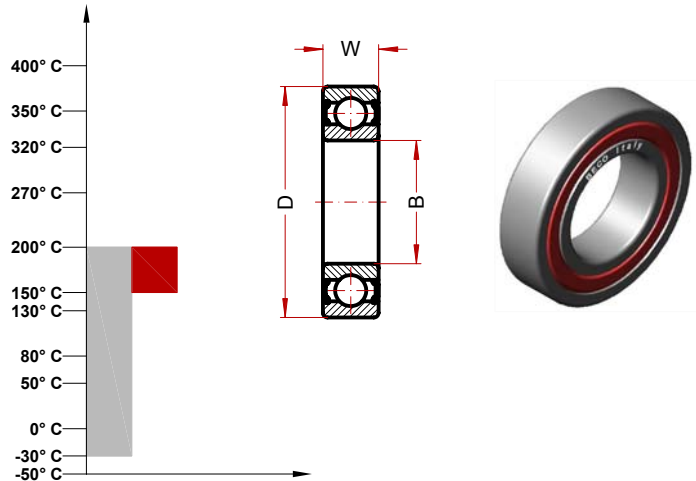
BHTS 2RS VT 200° (6200 Serie)

MAX TEMP CELSIUS 200° C

MAX TEMP FAHRENHEIT 392° F

SUGGESTED RANGE 120°-200° C

SUGGESTED RANGE 242°-392° F



Designation	Bore (B)	Diam (D)	Widht (W)	Weight g	Speed RPM/min (*)	Static Load kN
6200 BHTS 2RS VT 200°	10	30	9	30	5800	2.3
6201 BHTS 2RS VT 200°	12	32	10	37	5600	2.8
6202 BHTS 2RS VT 200°	15	35	11	45	5400	3.3
6203 BHTS 2RS VT 200°	17	40	12	65	5200	4.2
6204 BHTS 2RS VT 200°	20	47	14	110	4800	5.9
6205 BHTS 2RS VT 200°	25	52	15	130	4400	7.2
6206 BHTS 2RS VT 200°	30	62	16	200	4000	10
6207 BHTS 2RS VT 200°	35	72	17	290	3600	13.7
6208 BHTS 2RS VT 200°	40	80	18	370	3200	16.2
6209 BHTS 2RS VT 200°	45	85	19	410	2800	18.3
6210 BHTS 2RS VT 200°	50	90	20	460	2400	21.6
6211 BHTS 2RS VT 200°	55	100	21	610	2000	26.1
6212 BHTS 2RS VT 200°	62	110	22	780	1800	32.4
6213 BHTS 2RS VT 200°	65	120	23	990	1600	37.3
6214 BHTS 2RS VT 200°	70	125	24	1040	1400	39.6
6215 BHTS 2RS VT 200°	75	130	25	1210	1200	44.1
6216 BHTS 2RS VT 200°	80	140	26	1400	1000	49.5
6217 BHTS 2RS VT 200°	85	150	28	1800	900	57.6
6218 BHTS 2RS VT 200°	90	160	30	2150	800	66.1
6219 BHTS 2RS VT 200°	95	170	32	2600	700	73.3
6220 BHTS 2RS VT 200°	100	180	34	3150	600	83.7

Static load and max speed are calculated for the maximum temperature of application we supply this technical information only for help customer in the choice. Due the extremely difference in the condition of application. We suggest to the customer to contact our engineering service and made pratical test for check in the real condition the pratical working.

Ball bearing for high temperature

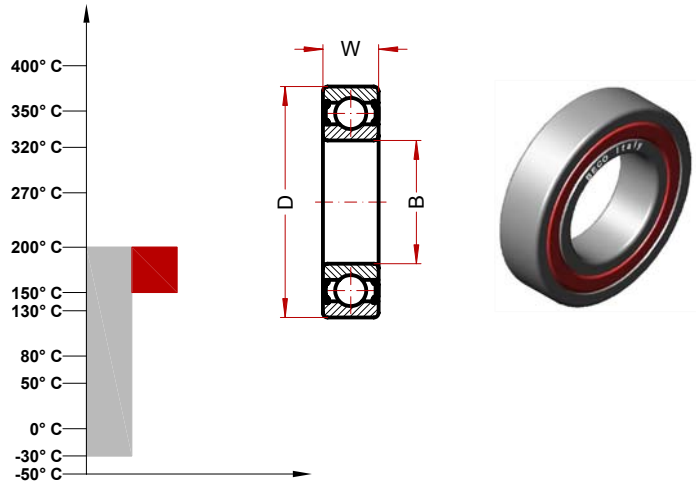
BHTS 2RS VT 200° (6300 Serie)

MAX TEMP CELSIUS 200° C

MAX TEMP FAHRENHEIT 392° F

SUGGESTED RANGE 120°-200° C

SUGGESTED RANGE 242°-392° F



Designation	Bore (B)	Diam (D)	Widht (W)	Weight g	Speed RPM/min (*)	Static Load kN
6300 BHTS 2RS VT 200°	10	35	11	52	5600	3.1
6301 BHTS 2RS VT 200°	12	37	12	60	5400	3.7
6302 BHTS 2RS VT 200°	15	42	13	80	5200	4.8
6303 BHTS 2RS VT 200°	17	47	14	120	4800	5.8
6304 BHTS 2RS VT 200°	20	52	15	140	4400	7.6
6305 BHTS 2RS VT 200°	25	62	17	225	4000	10.2
6306 BHTS 2RS VT 200°	30	72	19	350	3600	14.6
6307 BHTS 2RS VT 200°	35	80	21	450	3200	17.1
6308 BHTS 2RS VT 200°	40	90	23	620	2800	22.5
6309 BHTS 2RS VT 200°	45	100	25	830	2400	28.8
6310 BHTS 2RS VT 200°	50	110	27	1050	2000	34.2
6311 BHTS 2RS VT 200°	55	120	29	1350	1800	42.7
6312 BHTS 2RS VT 200°	60	130	31	1700	1600	46.8
6313 BHTS 2RS VT 200°	65	140	33	2100	1400	54
6314 BHTS 2RS VT 200°	70	150	35	2500	1200	61.2
6315 BHTS 2RS VT 200°	75	160	37	3000	1000	68.8
6316 BHTS 2RS VT 200°	80	170	39	3600	900	77.8
6317 BHTS 2RS VT 200°	85	180	41	4250	800	86.8
6318 BHTS 2RS VT 200°	90	190	43	4900	700	97.2
6319 BHTS 2RS VT 200°	95	200	45	5650	600	106.2
6320 BHTS 2RS VT 200°	100	215	47	7000	500	126

Static load and max speed are calculated for the maximum temperature of application we supply this technical information only for help customer in the choice. Due the extremely difference in the condition of application. We suggest to the customer to contact our engineering service and made pratical test for check in the real condition the pratical working.

Ball bearing for high temperature

BHTS ZZ 200°

The BHTS ZZ 200° ball bearings are developed based on the structure of a standard bearing but with appropriate treatment of stabilization, radial clearance, greases and ZZ shields which make them suitable for operation from -30° to +200°. Their application range is extremely wide and covers almost all areas of application, in particular, the BHTS ZZ 200° bearings allow a unique range of safety in all applications where they can also occur temporarily and for reasons not dependent on the will of the designer phenomena occasional overheating.

The current trend of globalization of supply often creates situations of application of products not predictable and not calculable; the BHTSZZ 200° bearing allows total security impossible with standard products and allows for safe use up to 200° degrees. The BHTS ZZ 200° is exactly identical to BHTS 2RS VT 200°, with the only difference of having the ZZ shields which allows a considerable cost savings compared to sheet steel with Viton seal.

Technical characteristics:

Material Steel AISI 52100 (Chrome) stabilized to the application

Radial C4 (H)

Shields type ZZ

Greasing with grease for temperatures up to 200° (with a drop point of 320°)

Fields of application:

Air Conveyors

Industrial Fans

Packaging Machinery

Steel Industry

Ceramic Industry

Papermaking Industry

Ball bearing for high temperature

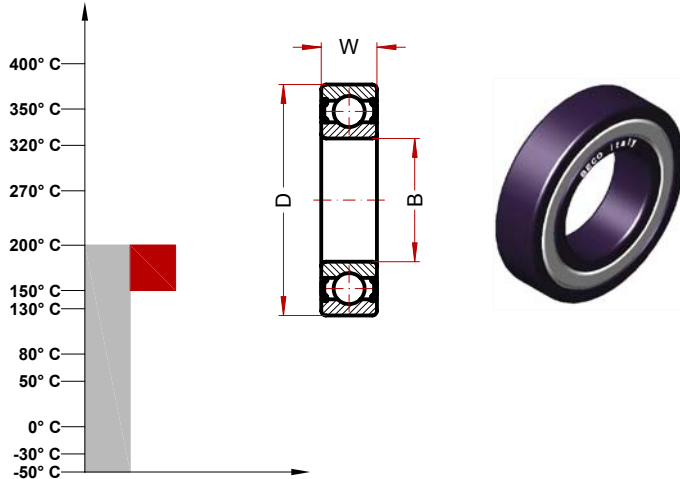
BHTS ZZ 200° (61800 Serie)

MAX TEMP CELSIUS 200° C

MAX TEMP FAHRENHEIT 392° F

SUGGESTED RANGE 120°-200° C

SUGGESTED RANGE 248°-392° F



Designation	Bore (B)	Diam (D)	Widht (W)	Weight g	Speed RPM/min (*)	Static Load kN
61800 BHTS ZZ 200°	10	19	5	6	6000	0.47
61801 BHTS ZZ 200°	12	21	5	7	6000	0.85
61802 BHTS ZZ 200°	15	24	5	8	6000	1.12
61803 BHTS ZZ 200°	17	26	5	9	6000	1.3
61804 BHTS ZZ 200°	20	32	7	18	5600	2.01
61805 BHTS ZZ 200°	25	37	7	24	5400	2.52
61806 BHTS ZZ 200°	30	42	7	27	5000	3
61807 BHTS ZZ 200°	35	47	7	32	4800	3.2
61808 BHTS ZZ 200°	40	52	7	35	4400	3.8
61809 BHTS ZZ 200°	45	58	7	42	4000	5.04
61810 BHTS ZZ 200°	50	65	7	52	3600	5.6
61811 BHTS ZZ 200°	55	72	9	81	3200	7.6
61812 BHTS ZZ 200°	60	78	10	105	2800	9.9
61813 BHTS ZZ 200°	65	85	10	124	2600	10.8
61814 BHTS ZZ 200°	70	90	10	133	2000	11.2
61815 BHTS ZZ 200°	75	95	10	143		12
61816 BHTS ZZ 200°	80	100	10	150		
61817 BHTS ZZ 200°	85	110	13	270		
61818 BHTS ZZ 200°	90	115	13	280		
61819 BHTS ZZ 200°	95	120	13	300		
61820 BHTS ZZ 200°	100	125	13	310		

Static load and max speed are calculated for the maximum temperature of application we supply this technical information only for help customer in the choice. Due the extremely difference in the condition of application. We suggest to the customer to contact our engineering service and made pratical test for check in the real condition the pratical working.

BECO Italy

Ball bearing for high temperature

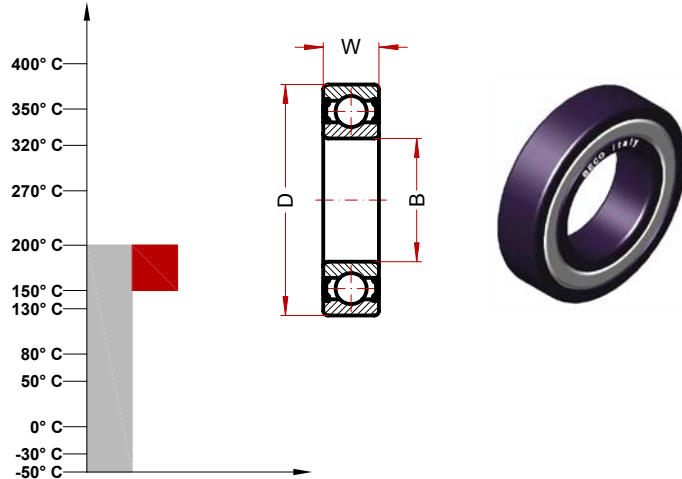
BHTS ZZ 200° (6000 Serie)

MAX TEMP CELSIUS 200° C

MAX TEMP FAHRENHEIT 392° F

SUGGESTED RANGE 120°-200° C

SUGGESTED RANGE 248°-392° F



Designation	Bore (B)	Diam (D)	Widht (W)	Weight g	Speed RPM/min (*)	Static Load kN
6000 BHTS ZZ 200°	10	26	8	20	6000	1.76
6001 BHTS ZZ 200°	12	28	8	25	5800	2.1
6002 BHTS ZZ 200°	15	32	9	30	5600	2.5
6003 BHTS ZZ 200°	17	35	10	40	5400	2.9
6004 BHTS ZZ 200°	20	42	12	69	5200	4.5
6005 BHTS ZZ 200°	25	47	12	80	4800	5.2
6006 BHTS ZZ 200°	30	55	13	120	4400	7.2
6007 BHTS ZZ 200°	35	62	14	160	4000	9.3
6008 BHTS ZZ 200°	40	68	15	190	3600	10.6
6009 BHTS ZZ 200°	45	75	16	250	3200	12.8
6010 BHTS ZZ 200°	50	80	16	260	2800	14
6011 BHTS ZZ 200°	55	90	18	390	2400	19
6012 BHTS ZZ 200°	60	95	18	420	2000	20.8
6013 BHTS ZZ 200°	65	100	18	440	1800	22.5
6014 BHTS ZZ 200°	70	110	20	600	1600	28.3
6015 BHTS ZZ 200°	75	115	20	640	1400	30.4
6016 BHTS ZZ 200°	80	125	22	850	1200	36
6017 BHTS ZZ 200°	85	130	22	890	1000	38.7
6018 BHTS ZZ 200°	90	140	24	1150	900	45
6019 BHTS ZZ 200°	95	145	24	1200	800	48.6
6020 BHTS ZZ 200°	100	150	24	1250	700	48.6

Static load and max speed are calculated for the maximum temperature of application we supply this technical information only for help customer in the choice. Due the extremely difference in the condition of application. We suggest to the customer to contact our engineering service and made pratical test for check in the real condition the pratical working.

Ball bearing for high temperature

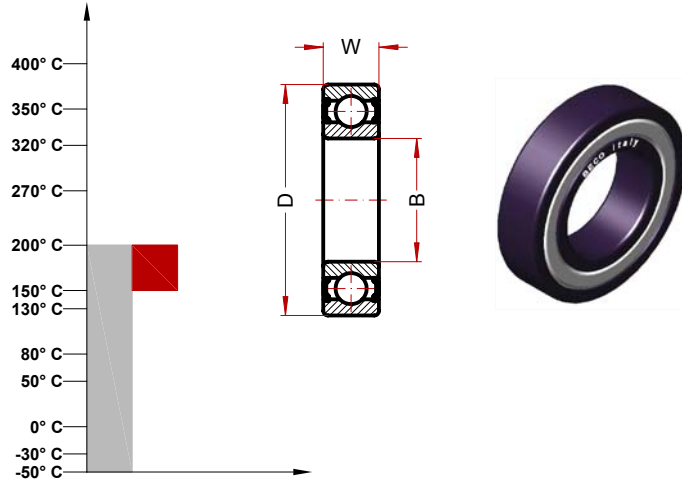
BHTS ZZ 200° (6200 Serie)

MAX TEMP CELSIUS 200° C

MAX TEMP FAHRENHEIT 392° F

SUGGESTED RANGE 120°-200° C

SUGGESTED RANGE 248°-392° F



Designation	Bore (B)	Diam (D)	Widht (W)	Weight g	Speed RPM/min (*)	Static Load kN
6200 BHTS ZZ 200°	10	30	9	30	5800	2.3
6201 BHTS ZZ 200°	12	32	10	37	5600	2.8
6202 BHTS ZZ 200°	15	35	11	45	5400	3.3
6203 BHTS ZZ 200°	17	40	12	65	5200	4.2
6204 BHTS ZZ 200°	20	47	14	110	4800	5.9
6205 BHTS ZZ 200°	25	52	15	130	4400	7.2
6206 BHTS ZZ 200°	30	62	16	200	4000	10
6207 BHTS ZZ 200°	35	72	17	290	3600	13.7
6208 BHTS ZZ 200°	40	80	18	370	3200	16.2
6209 BHTS ZZ 200°	45	85	19	410	2800	18.3
6210 BHTS ZZ 200°	50	90	20	460	2400	21.6
6211 BHTS ZZ 200°	55	100	21	610	2000	26.1
6212 BHTS ZZ 200°	62	110	22	780	1800	32.4
6213 BHTS ZZ 200°	65	120	23	990	1600	37.3
6214 BHTS ZZ 200°	70	125	24	1040	1400	39.6
6215 BHTS ZZ 200°	75	130	25	1210	1200	44.1
6216 BHTS ZZ 200°	80	140	26	1400	1000	49.5
6217 BHTS ZZ 200°	85	150	28	1800	900	57.6
6218 BHTS ZZ 200°	90	160	30	2150	800	66.1
6219 BHTS ZZ 200°	95	170	32	2600	700	73.3
6220 BHTS ZZ 200°	100	180	34	3150	600	83.2

Static load and max speed are calculated for the maximum temperature of application we supply this technical information only for help customer in the choice. Due the extremely difference in the condition of application. We suggest to the customer to contact our engineering service and made pratical test for check in the real condition the pratical working.

Ball bearing for high temperature

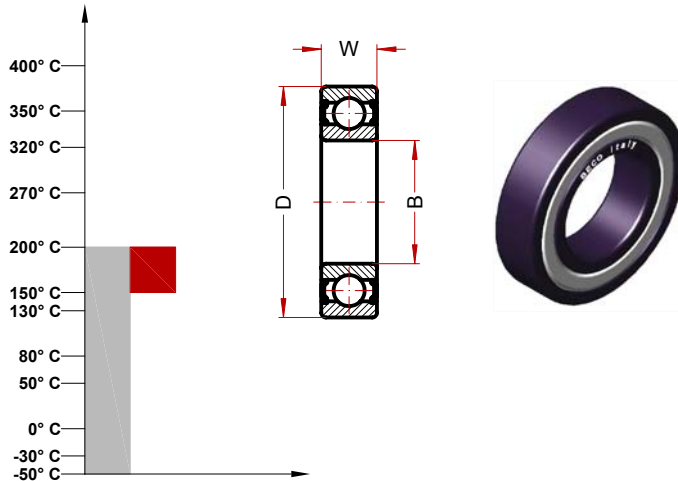
BHTS ZZ 200° (6300 Serie)

MAX TEMP CELSIUS 200° C

MAX TEMP FAHRENHEIT 392° F

SUGGESTED RANGE 120°-200° C

SUGGESTED RANGE 248°-392° F



Designation	Bore (B)	Diam (D)	Widht (W)	Weight g	Speed RPM/min (*)	Static Load kN
6300 BHTS ZZ 200°	10	35	11	52	5600	3.1
6301 BHTS ZZ 200°	12	37	12	60	5400	3.7
6302 BHTS ZZ 200°	15	42	13	80	5200	4.8
6303 BHTS ZZ 200°	17	47	14	120	4800	5.8
6304 BHTS ZZ 200°	20	52	15	140	4400	3.6
6305 BHTS ZZ 200°	25	62	17	225	4000	10.2
6306 BHTS ZZ 200°	30	72	19	350	3600	14.6
6307 BHTS ZZ 200°	35	80	21	450	3200	17.1
6308 BHTS ZZ 200°	40	90	23	620	2800	22.5
6309 BHTS ZZ 200°	45	100	25	830	2400	28.8
6310 BHTS ZZ 200°	50	110	27	1050	2000	34.2
6311 BHTS ZZ 200°	55	120	29	1350	1800	42.7
6312 BHTS ZZ 200°	60	130	31	1700	1600	46.8
6313 BHTS ZZ 200°	65	140	33	2100	1400	54
6314 BHTS ZZ 200°	70	150	35	2500	1200	61.2
6315 BHTS ZZ 200°	75	160	37	3000	1000	68.8
6316 BHTS ZZ 200°	80	170	39	3600	900	77.8
6317 BHTS ZZ 200°	85	180	41	4250	800	86.8
6318 BHTS ZZ 200°	90	190	43	4900	700	97.2
6319 BHTS ZZ 200°	95	200	45	5650	600	106.2
6320 BHTS ZZ 200°	100	215	47	7000	500	126

Static load and max speed are calculated for the maximum temperature of application we supply this technical information only for help customer in the choice. Due the extremely difference in the condition of application. We suggest to the customer to contact our engineering service and made pratical test for check in the real condition the pratical working.

Ball bearing for high temperature

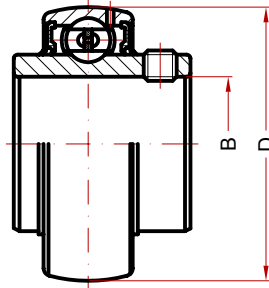
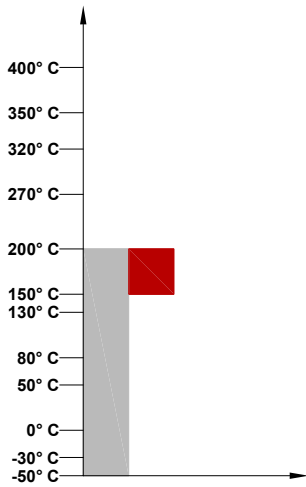
BHTS ZZ 200° (UC Serie)

MAX TEMP CELSIUS 200° C

MAX TEMP FAHRENHEIT 392° F

SUGGESTED RANGE 120°-200° C

SUGGESTED RANGE 248°-392° F



Designation	Bore (B)	Diam (D)	Speed RPM/min (*)
UC 201 BHTS ZZ 200°	12	40	1440
UC 202 BHTS ZZ 200°	15	40	1440
UC 203 BHTS ZZ 200°	17	40	1440
UC 204 BHTS ZZ 200°	20	47	1200
UC 205 BHTS ZZ 200°	25	52	1120
UC 206 BHTS ZZ 200°	30	62	880
UC 207 BHTS ZZ 200°	35	72	760
UC 208 BHTS ZZ 200°	40	80	680
UC 209 BHTS ZZ 200°	45	85	640
UC 210 BHTS ZZ 200°	50	90	600
UC 211 BHTS ZZ 200°	55	90	536
UC 212 BHTS ZZ 200°	60	90	480
UC 213 BHTS ZZ 200°	65	90	424
UC 214 BHTS ZZ 200°	70	90	400
UC 215 BHTS ZZ 200°	75	90	384

Static load and max speed are calculated for the maximum temperature of application we supply this technical information only for help customer in the choice. Due the extremely difference in the condition of application. We suggest to the customer to contact our engineering service and made practical test for check in the real condition the practical working.

Ball bearing for high temperature

BHTS 2RS VT 250°-280°

The BHTS 2RS VT 250° - 280° ball bearings are designed on the dimensions of a standard bearing but with treatments of stabilisation, surface treatment, radial clearance, greases and special Viton seals which make them suitable for operation from -30° to between +250° and +280°. Their recommended range of application is between 180° and 250°. The dual display of 250° - 280° was designed to clearly indicate that the bearing is effectively a bearing for 280°, but the Viton seals have a reduction of duration in excess of 250° for which the bearing achieves its best performance in the above-mentioned, range of 180° to 250°. Below 200°, there are the BHTS 2RS VT 200° available, which are cheaper and also allow a much higher rotational speed. The range of the 2RS VT 250° - 280° is replacing the BHTS ZZ 280°, which present the same functional, structural characteristics but with levels of protection against weather conditions significantly lower. The Viton characteristics are ideal in resisting many types of acids, however, the BHTS 2RS VT 250° - 280°, is designed exclusively for applications in high temperatures. With regards to applications in the presence of acid, consult the relative section of the catalogue on stainless steel bearings. For needs relating to problems of acids added to temperature problems, there are high temperature stainless steel bearings available with Viton seals.

Technical characteristics:

Material Steel AISI 52100 (Chrome) stabilized to the application
Treatment of manganese phosphate coating on all steel parts
Radial x4 C5
Seals 2RS Viton
Greasing with PTFE based grease-free silicone for temperatures up to 280° (with a drop point above 400°)

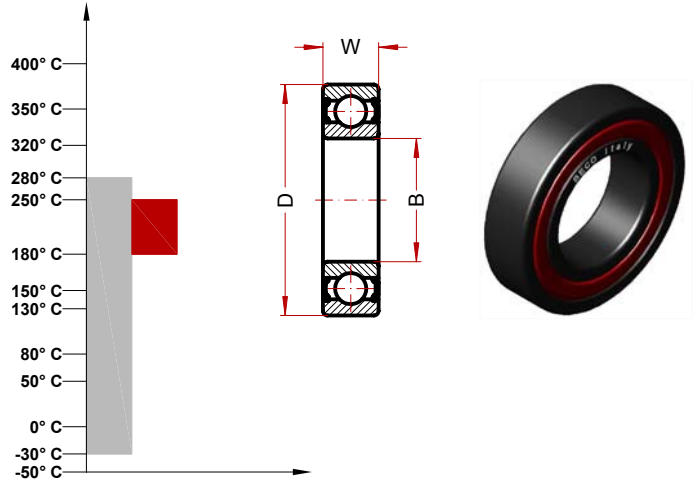
Fields of application:

Paint Ovens
Steel Industry
Furnaces for Ceramic Industry
Trolley Industry Brick Kilns

Ball bearing for high temperature BHTS 2RS VT 250°-280° (Micro Serie)

MAX TEMP CELSIUS 280° C
MAX TEMP FAHRENHEIT 536° F

SUGGESTED RANGE 180°/250° C
SUGGESTED RANGE 356°/482° F



Designation	Bore (B)	Diam (D)	Widht (W)	Weight g	Speed RPM/min (*)	Static Load kN
613/3 BHTS 2RS VT 250°-280°	3	8	3	1.5	2300	
623 BHTS 2RS VT 250°-280°	3	10	4	3	2300	0.16
604 BHTS 2RS VT 250°-280°	4	12	4	3	2300	0.29
624 BHTS 2RS VT 250°-280°	4	13	5	3	2300	0.29
606 BHTS 2RS VT 250°-280°	5	14	5	4	2300	0.35
625 BHTS 2RS VT 250°-280°	5	16	5	5	2300	0.35
606 BHTS 2RS VT 250°-280°	6	17	6	7	2300	0.72
626 BHTS 2RS VT 250°-280°	6	19	6	8	2300	0.72
607 BHTS 2RS VT 250°-280°	7	19	6	8	2300	0.72
627 BHTS 2RS VT 250°-280°	7	22	7	13	2300	0.93
608 BHTS 2RS VT 250°-280°	8	22	7	13	2300	0.93
628 BHTS 2RS VT 250°-280°	8	24	8	14	2300	0.93
609 BHTS 2RS VT 250°-280°	9	24	7	15	2300	1.11
629 BHTS 2RS VT 250°-280°	9	26	8	20	2300	1.33

Static load and max speed are calculated for the maximum temperature of application we supply this technical information only for help customer in the choice. Due the extremely difference in the condition of application. We suggest to the customer to contact our engineering service and made pratical test for check in the real condition the pratical working.

Ball bearing for high temperature

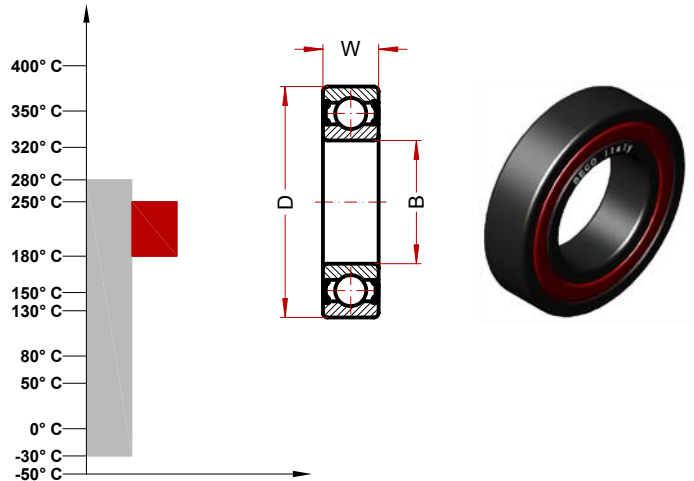
BHTS 2RS VT 250°-280° (61800 Serie)

MAX TEMP CELSIUS 280° C

MAX TEMP FAHRENHEIT 536° F

SUGGESTED RANGE 180°/250° C

SUGGESTED RANGE 356°/482° F



Designation	Bore (B)	Diam (D)	Widht (W)	Weight g	Speed RPM/min (*)	Static Load kN
61800 BHTS 2RS VT 250°-280°	10	19	5	6	2240	0.56
61801 BHTS 2RS VT 250°-280°	12	21	5	7	2080	0.65
61802 BHTS 2RS VT 250°-280°	15	24	5	7	1920	0.85
61803 BHTS 2RS VT 250°-280°	17	26	5	8	1760	0.99
61804 BHTS 2RS VT 250°-280°	20	32	7	18	1600	1.59
61805 BHTS 2RS VT 250°-280°	25	37	7	24	1360	1.90
61806 BHTS 2RS VT 250°-280°	30	42	7	27	1040	2.28
61807 BHTS 2RS VT 250°-280°	35	47	7	32	880	2.45
61808 BHTS 2RS VT 250°-280°	40	52	7	35	800	2.90
61809 BHTS 2RS VT 250°-280°	45	58	7	42	720	3.81
61810 BHTS 2RS VT 250°-280°	50	65	7	52	680	4.28
61811 BHTS 2RS VT 250°-280°	55	72	9	81	600	5.78
61812 BHTS 2RS VT 250°-280°	60	78	10	105	560	7.48
61813 BHTS 2RS VT 250°-280°	65	85	10	124	504	8.16
61814 BHTS 2RS VT 250°-280°	70	90	10	133	480	8.50
61815 BHTS 2RS VT 250°-280°	75	95	10	143	448	9.11
61816 BHTS 2RS VT 250°-280°	80	100	10	150	400	
61817 BHTS 2RS VT 250°-280°	85	110	13	270	380	
61818 BHTS 2RS VT 250°-280°	90	115	13	280	360	
61819 BHTS 2RS VT 250°-280°	95	120	13	300	340	
61820 BHTS 2RS VT 250°-280°	100	125	13	310	300	

Static load and max speed are calculated for the maximum temperature of application we supply this technical information only for help customer in the choice. Due the extremely difference in the condition of application. We suggest to the customer to contact our engineering service and made pratical test for check in the real condition the pratical working.

Ball bearing for high temperature

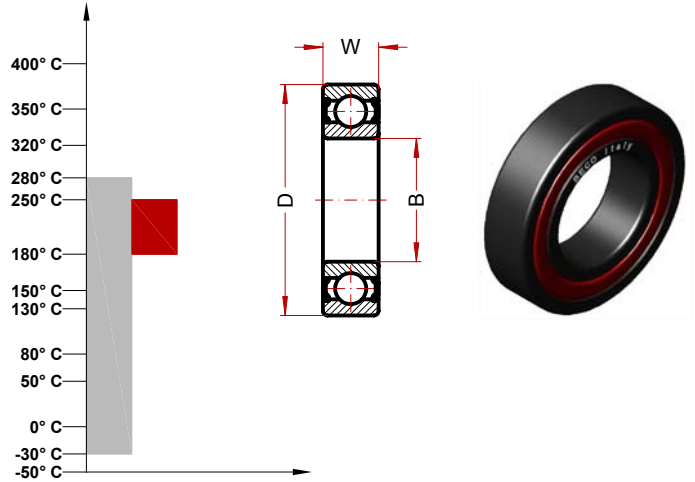
BHTS 2RS VT 250°-280° (61900 Serie)

MAX TEMP CELSIUS 280° C

MAX TEMP FAHRENHEIT 536° F

SUGGESTED RANGE 180°/250° C

SUGGESTED RANGE 356°/482° F



Designation	Bore (B)	Diam (D)	Widht (W)	Weight g	Speed RPM/min (*)	Static Load kN
61900 BHTS 2RS VT 250°-280°	10	22	6	10	2240	
61901 BHTS 2RS VT 250°-280°	12	24	6	11	2080	
61902 BHTS 2RS VT 250°-280°	15	28	7	16	1920	
61903 BHTS 2RS VT 250°-280°	17	30	7	18	1760	
61904 BHTS 2RS VT 250°-280°	20	37	9	38	1600	
61905 BHTS 2RS VT 250°-280°	25	37	7	22	1360	
61906 BHTS 2RS VT 250°-280°	30	47	9	51	1040	
61907 BHTS 2RS VT 250°-280°	35	55	10	80	880	
61908 BHTS 2RS VT 250°-280°	40	62	12	120	800	
61909 BHTS 2RS VT 250°-280°	45	68	12	140	720	
61910 BHTS 2RS VT 250°-280°	50	72	12	160	680	
61911 BHTS 2RS VT 250°-280°	55	80	13	190	600	
61912 BHTS 2RS VT 250°-280°	60	85	13	200	560	
61913 BHTS 2RS VT 250°-280°	65	90	13	220	504	
61914 BHTS 2RS VT 250°-280°	70	100	16	350	480	
61915 BHTS 2RS VT 250°-280°	75	105	16	370	448	

Static load and max speed are calculated for the maximum temperature of application we supply this technical information only for help customer in the choice. Due the extremely difference in the condition of application. We suggest to the customer to contact our engineering service and made pratical test for check in the real condition the pratical working.

Ball bearing for high temperature

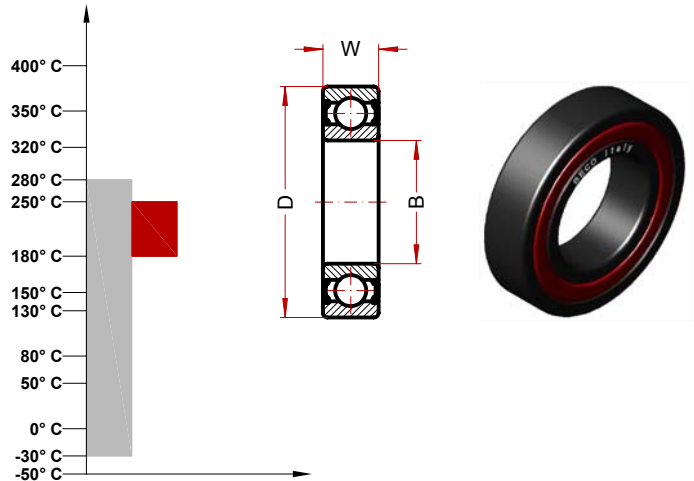
BHTS 2RS VT 250°-280° (6000 Serie)

MAX TEMP CELSIUS 280° C

MAX TEMP FAHRENHEIT 536° F

SUGGESTED RANGE 180°/250° C

SUGGESTED RANGE 356°/482° F



Designation	Bore (B)	Diam (D)	Width (W)	Weight g	Speed RPM/min (*)	Static Load kN
6000 BHTS2RS VT 250°-280°	10	26	8	20	2240	1.34
6001 BHTS2RS VT 250°-280°	12	28	8	25	2080	1.61
6002 BHTS2RS VT 250°-280°	15	32	9	30	1920	1.94
6003 BHTS2RS VT 250°-280°	17	35	10	40	1760	2.21
6004 BHTS2RS VT 250°-280°	20	42	12	69	1600	3.40
6005 BHTS2RS VT 250°-280°	25	47	12	80	1360	3.98
6006 BHTS2RS VT 250°-280°	30	55	13	120	1040	5.44
6007 BHTS2RS VT 250°-280°	35	62	14	160	880	7.07
6008 BHTS2RS VT 250°-280°	40	68	15	190	800	8
6009 BHTS2RS VT 250°-280°	45	75	16	250	720	9.73
6010 BHTS2RS VT 250°-280°	50	80	16	260	680	10.61
6011 BHTS2RS VT 250°-280°	55	90	18	390	600	14.42
6012 BHTS2RS VT 250°-280°	60	95	18	420	560	15.80
6013 BHTS2RS VT 250°-280°	65	100	18	440	504	17
6014 BHTS2RS VT 250°-280°	70	110	20	600	480	21.42
6015 BHTS2RS VT 250°-280°	75	115	20	640	448	23.12
6016 BHTS2RS VT 250°-280°	80	125	22	850	400	26
6017 BHTS2RS VT 250°-280°	85	130	22	890	380	27.9
6018 BHTS2RS VT 250°-280°	90	140	24	1150	360	32.5
6019 BHTS2RS VT 250°-280°	95	145	24	1200	340	35.1
6020 BHTS2RS VT 250°-280°	100	150	24	1250	300	35.1

Static load and max speed are calculated for the maximum temperature of application we supply this technical information only for help customer in the choice. Due the extremely difference in the condition of application. We suggest to the customer to contact our engineering service and made practical test for check in the real condition the practical working.

Ball bearing for high temperature

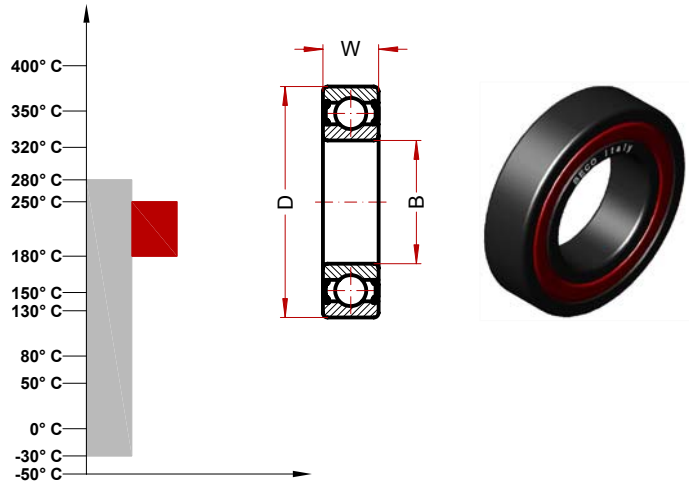
BHTS 2RS VT 250°-280° (6200 Serie)

MAX TEMP CELSIUS 280° C

MAX TEMP FAHRENHEIT 536° F

SUGGESTED RANGE 180°/250° C

SUGGESTED RANGE 356°/482° F



Designation	Bore (B)	Diam (D)	Widht (W)	Weight g	Speed RPM/min (*)	Static Load kN
6200 BHTS 2RS VT 250°-280°	10	30	9	30	2080	1.77
6201 BHTS 2RS VT 250°-280°	12	32	10	37	1920	2.11
6202 BHTS 2RS VT 250°-280°	15	35	11	45	1600	2.55
6203 BHTS 2RS VT 250°-280°	17	40	12	65	1440	3.23
6204 BHTS 2RS VT 250°-280°	20	47	14	110	1200	4.46
6205 BHTS 2RS VT 250°-280°	25	52	15	130	1120	5.44
6206 BHTS 2RS VT 250°-280°	30	62	16	200	880	7.62
6207 BHTS 2RS VT 250°-280°	35	72	17	290	760	10
6208 BHTS 2RS VT 250°-280°	40	80	18	370	680	12.24
6209 BHTS 2RS VT 250°-280°	45	85	19	410	640	13.87
6210 BHTS 2RS VT 250°-280°	50	90	20	460	600	16.3
6211 BHTS 2RS VT 250°-280°	55	100	21	610	536	19.88
6212 BHTS 2RS VT 250°-280°	62	110	22	780	480	24.48
6213 BHTS 2RS VT 250°-280°	65	120	23	990	424	28.22
6214 BHTS 2RS VT 250°-280°	70	125	24	1040	400	29.92
6215 BHTS 2RS VT 250°-280°	75	130	25	1210	384	33.32
6216 BHTS 2RS VT 250°-280°	80	140	26	1400	350	35.7
6217 BHTS 2RS VT 250°-280°	85	150	28	1800	330	41.6
6218 BHTS 2RS VT 250°-280°	90	160	30	2150	310	47.7
6219 BHTS 2RS VT 250°-280°	95	170	32	2600	300	52.9
6220 BHTS 2RS VT 250°-280°	100	180	34	3150	290	60.4

Static load and max speed are calculated for the maximum temperature of application we supply this technical information only for help customer in the choice. Due the extremely difference in the condition of application. We suggest to the customer to contact our engineering service and made pratical test for check in the real condition the pratical working.

Ball bearing for high temperature

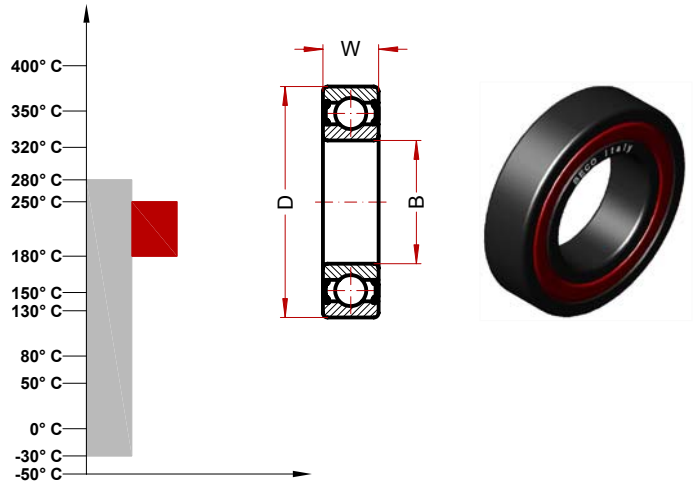
BHTS 2RS VT 250°-280° (6300 Serie)

MAX TEMP CELSIUS 280° C

MAX TEMP FAHRENHEIT 536° F

SUGGESTED RANGE 180°/250° C

SUGGESTED RANGE 356°/482° F



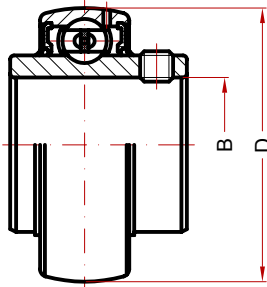
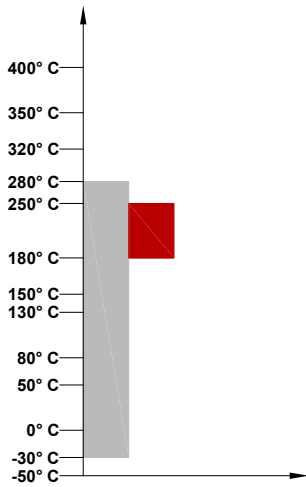
Designation	Bore (B)	Diam (D)	Widht (W)	Weight g	Speed RPM/min (*)	Static Load kN
6300 BHTS 2RS VT 250°-280°	10	35	11	52	1760	2.34
6301 BHTS 2RS VT 250°-280°	12	37	12	60	1600	2.82
6302 BHTS 2RS VT 250°-280°	15	42	13	80	1440	3.67
6303 BHTS 2RS VT 250°-280°	17	47	14	120	1280	4.46
6304 BHTS 2RS VT 250°-280°	20	52	15	140	1120	5.78
6305 BHTS 2RS VT 250°-280°	25	62	17	225	880	7.75
6306 BHTS 2RS VT 250°-280°	30	72	19	350	760	11
6307 BHTS 2RS VT 250°-280°	35	80	21	450	680	12.92
6308 BHTS 2RS VT 250°-280°	40	90	23	620	600	17
6309 BHTS 2RS VT 250°-280°	45	100	25	830	536	21.76
6310 BHTS 2RS VT 250°-280°	50	110	27	1050	480	25
6311 BHTS 2RS VT 250°-280°	55	120	29	1350	424	32.30
6312 BHTS 2RS VT 250°-280°	60	130	31	1700	400	35.36
6313 BHTS 2RS VT 250°-280°	65	140	33	2100	360	40.8
6314 BHTS 2RS VT 250°-280°	70	150	35	2500	344	46
6315 BHTS 2RS VT 250°-280°	75	160	37	3000	320	52
6316 BHTS 2RS VT 250°-280°	80	170	39	3600	300	56.2
6317 BHTS 2RS VT 250°-280°	85	180	41	4250	290	62.7
6318 BHTS 2RS VT 250°-280°	90	190	43	4900	270	70.2
6319 BHTS 2RS VT 250°-280°	95	200	45	5650	250	76.7
6320 BHTS 2RS VT 250°-280°	100	215	47	7000	230	91

Static load and max speed are calculated for the maximum temperature of application we supply this technical information only for help customer in the choice. Due the extremely difference in the condition of application. We suggest to the customer to contact our engineering service and made pratical test for check in the real condition the pratical working.

Ball bearing for high temperature BHTS 2RS VT 250°-280° (UC Serie)

MAX TEMP CELSIUS 280° C
MAX TEMP FAHRENHEIT 536° F

SUGGESTED RANGE 180°/250° C
SUGGESTED RANGE 356°/482° F



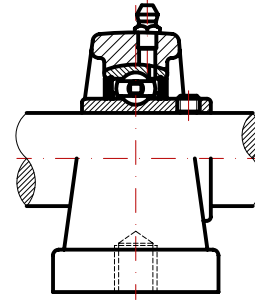
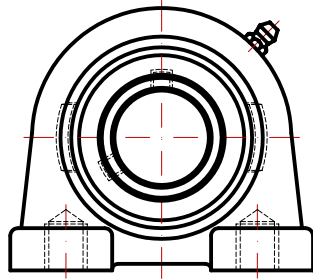
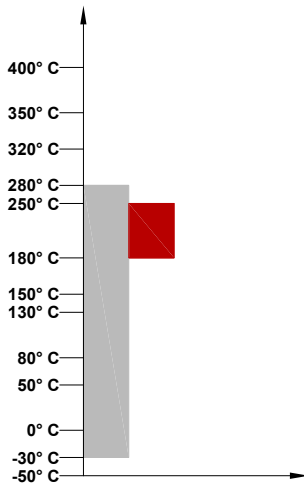
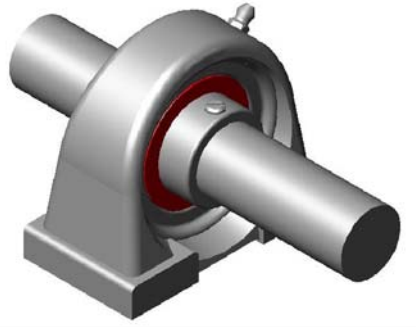
Designation	Bore (B)	Diam (D)	Speed RPM/min (*)
UC 201 BHTS 2RS VT 250°-280°	12	40	1440
UC 202 BHTS 2RS VT 250°-280°	15	40	1440
UC 203 BHTS 2RS VT 250°-280°	17	40	1440
UC 204 BHTS 2RS VT 250°-280°	20	47	1200
UC 205 BHTS 2RS VT 250°-280°	25	52	1120
UC 206 BHTS 2RS VT 250°-280°	30	62	880
UC 207 BHTS 2RS VT 250°-280°	35	72	760
UC 208 BHTS 2RS VT 250°-280°	40	80	680
UC 209 BHTS 2RS VT 250°-280°	45	85	640
UC 210 BHTS 2RS VT 250°-280°	50	90	600
UC 211 BHTS 2RS VT 250°-280°	55	100	536
UC 212 BHTS 2RS VT 250°-280°	60	110	480
UC 213 BHTS 2RS VT 250°-280°	65	120	424
UC 214 BHTS 2RS VT 250°-280°	70	125	400
UC 215 BHTS 2RS VT 250°-280°	75	130	384

Static load and max speed are calculated for the maximum temperature of application we supply this technical information only for help customer in the choice. Due the extremely difference in the condition of application. We suggest to the customer to contact our engineering service and made pratical test for check in the real condition the pratical working.

Ball bearing for high temperature BHTS 2RS VT 250°-280° (UCPA Serie)

MAX TEMP CELSIUS 280° C
MAX TEMP FAHRENHEIT 536° F

SUGGESTED RANGE 180°/250° C
SUGGESTED RANGE 356°/482° F



Unit code	Bearing code	Housing code
UCPA 201 BHTS 2RS VT 250°-280°	UC 201 BHTS 2RS VT 280°	SS PA 201
UCPA 202 BHTS 2RS VT 250°-280°	UC 202 BHTS 2RS VT 280°	SS PA 202
UCPA 203 BHTS 2RS VT 250°-280°	UC 203 BHTS 2RS VT 280°	SS PA 203
UCPA 204 BHTS 2RS VT 250°-280°	UC 204 BHTS 2RS VT 280°	SS PA 204
UCPA 205 BHTS 2RS VT 250°-280°	UC 205 BHTS 2RS VT 280°	SS PA 205
UCPA 206 BHTS 2RS VT 250°-280°	UC 206 BHTS 2RS VT 280°	SS PA 206
UCPA 207 BHTS 2RS VT 250°-280°	UC 207 BHTS 2RS VT 280°	SS PA 207
UCPA 208 BHTS 2RS VT 250°-280°	UC 208 BHTS 2RS VT 280°	SS PA 208
UCPA 209 BHTS 2RS VT 250°-280°	UC 209 BHTS 2RS VT 280°	SS PA 209
UCPA 210 BHTS 2RS VT 250°-280°	UC 210 BHTS 2RS VT 280°	SS PA 210
UCPA 211 BHTS 2RS VT 250°-280°	UC 211 BHTS 2RS VT 280°	SS PA 211
UCPA 212 BHTS 2RS VT 250°-280°	UC 212 BHTS 2RS VT 280°	SS PA 212
UCPA 213 BHTS 2RS VT 250°-280°	UC 213 BHTS 2RS VT 280°	SS PA 213
UCPA 214 BHTS 2RS VT 250°-280°	UC 214 BHTS 2RS VT 280°	SS PA 214
UCPA 215 BHTS 2RS VT 250°-280°	UC 215 BHTS 2RS VT 280°	SS PA 215

Static load and max speed are calculated for the maximum temperature of application we supply this technical information only for help customer in the choice. Due the extremely difference in the condition of application. We suggest to the customer to contact our engineering service and made practical test for check in the real condition the practical working.

BECO Italy

Ball bearing for high temperature

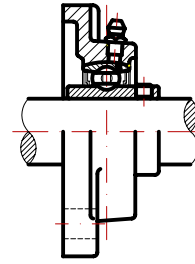
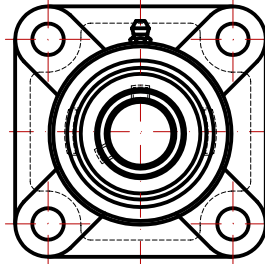
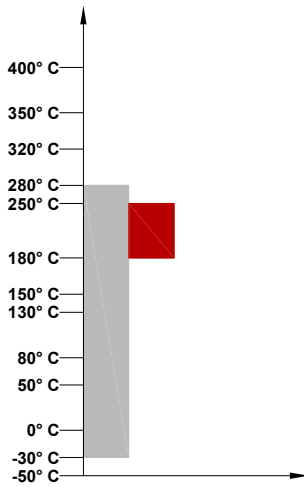
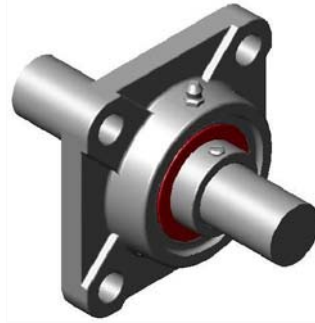
BHTS 2RS VT 250°-280° (UCF Serie)

MAX TEMP CELSIUS 280° C

MAX TEMP FAHRENHEIT 536° F

SUGGESTED RANGE 180°/250° C

SUGGESTED RANGE 356°/482° F



Unit code	Bearing code	Housing code
UCF 201 BHTS 2RS VT 250°-280°	UC 201 BHTS 2RS VT 280°	SS F 201
UCF 202 BHTS 2RS VT 250°-280°	UC 202 BHTS 2RS VT 280°	SS F 202
UCF 203 BHTS 2RS VT 250°-280°	UC 203 BHTS 2RS VT 280°	SS F 203
UCF 204 BHTS 2RS VT 250°-280°	UC 204 BHTS 2RS VT 280°	SS F 204
UCF 205 BHTS 2RS VT 250°-280°	UC 205 BHTS 2RS VT 280°	SS F 205
UCF 206 BHTS 2RS VT 250°-280°	UC 206 BHTS 2RS VT 280°	SS F 206
UCF 207 BHTS 2RS VT 250°-280°	UC 207 BHTS 2RS VT 280°	SS F 207
UCF 208 BHTS 2RS VT 250°-280°	UC 208 BHTS 2RS VT 280°	SS F 208
UCF 209 BHTS 2RS VT 250°-280°	UC 209 BHTS 2RS VT 280°	SS F 209
UCF 210 BHTS 2RS VT 250°-280°	UC 210 BHTS 2RS VT 280°	SS F 210
UCF 211 BHTS 2RS VT 250°-280°	UC 211 BHTS 2RS VT 280°	SS F 211
UCF 212 BHTS 2RS VT 250°-280°	UC 212 BHTS 2RS VT 280°	SS F 212
UCF 213 BHTS 2RS VT 250°-280°	UC 213 BHTS 2RS VT 280°	SS F 213
UCF 214 BHTS 2RS VT 250°-280°	UC 214 BHTS 2RS VT 280°	SS F 214
UCF 215 BHTS 2RS VT 250°-280°	UC 215 BHTS 2RS VT 280°	SS F 215

Static load and max speed are calculated for the maximum temperature of application we supply this technical information only for help customer in the choice. Due the extremely difference in the condition of application. We suggest to the customer to contact our engineering service and made practical test for check in the real condition the practical working.

BECO Italy

Ball bearing for high temperature

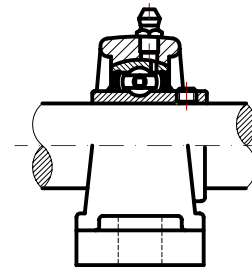
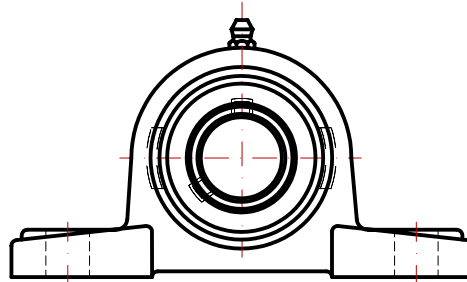
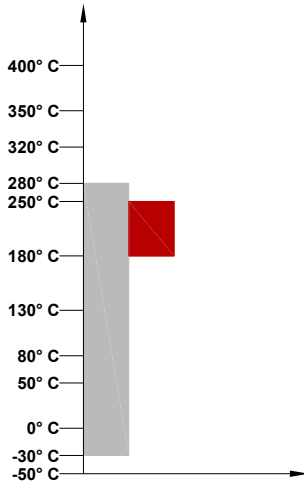
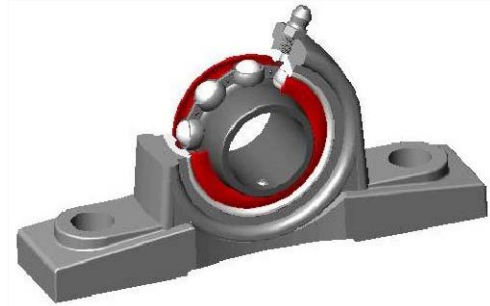
BHTS 2RS VT 250°-280° (UCP Serie)

MAX TEMP CELSIUS 280° C

MAX TEMP FAHRENHEIT 536° F

SUGGESTED RANGE 180°/250° C

SUGGESTED RANGE 356°/482° F



Unit code	Bearing code	Housing code
UCP 201 BHTS 2RS VT 250°-280°	UC 201 BHTS 2RS VT 280°	SS P 201
UCP 202 BHTS 2RS VT 250°-280°	UC 202 BHTS 2RS VT 280°	SS P 202
UCP 203 BHTS 2RS VT 250°-280°	UC 203 BHTS 2RS VT 280°	SS P 203
UCP 204 BHTS 2RS VT 250°-280°	UC 204 BHTS 2RS VT 280°	SS P 204
UCP 205 BHTS 2RS VT 250°-280°	UC 205 BHTS 2RS VT 280°	SS P 205
UCP 206 BHTS 2RS VT 250°-280°	UC 206 BHTS 2RS VT 280°	SS P 206
UCP 207 BHTS 2RS VT 250°-280°	UC 207 BHTS 2RS VT 280°	SS P 207
UCP 208 BHTS 2RS VT 250°-280°	UC 208 BHTS 2RS VT 280°	SS P 208
UCP 209 BHTS 2RS VT 250°-280°	UC 209 BHTS 2RS VT 280°	SS P 209
UCP 210 BHTS 2RS VT 250°-280°	UC 210 BHTS 2RS VT 280°	SS P 210
UCP 211 BHTS 2RS VT 250°-280°	UC 211 BHTS 2RS VT 280°	SS P 211
UCP 212 BHTS 2RS VT 250°-280°	UC 212 BHTS 2RS VT 280°	SS P 212
UCP 213 BHTS 2RS VT 250°-280°	UC 213 BHTS 2RS VT 280°	SS P 213
UCP 214 BHTS 2RS VT 250°-280°	UC 214 BHTS 2RS VT 280°	SS P 214
UCP 215 BHTS 2RS VT 250°-280°	UC 215 BHTS 2RS VT 280°	SS P 215

Static load and max speed are calculated for the maximum temperature of application we supply this technical information only for help customer in the choice. Due the extremely difference in the condition of application. We suggest to the customer to contact our engineering service and made practical test for check in the real condition the practical working.

Ball bearing for high temperature

BHT 320°

The BHT 320° ball bearings are designed on the dimensions of a standard bearing but with treatments of stabilisation, surface treatment, radial clearance and molybdenum grease that make them suitable for operation from -30° to +320°. Their recommended range of application is between 280° and 320°. The BHT 320° bearings are open bearings and require frequent additional lubrication with oil for high temperatures. Until the end of the 1980's, greases suitable at operating at a temperature in the absence of periodic lubrication were not available, so this product was the only solution to working in high temperatures. Such greases are now available, capable of operating up to 280° and lubrication with graphite cages for temperature up to 350°. Therefore this type of bearings now has a limited range of application in existing industrial plants. The lubrication with molybdenum disulphide grease makes the bearing vulnerable to oxidation resulting from the weather, so the shelf life is completely depending on the quality of maintenance performed. The BHT 320° bearing has been produced for over 30 years and many customers have found that with the right balance in maintenance intervals achieve excellent results with a product that is objectively economic. Please note that the BHT 320° bearing does not allow further greasing even with the same molybdenum disulphide grease. Our 30 years of experience has allowed us to identify almost exclusively as a cause of damage to the bearing, the added grease is incompatible even if of the same quality inside the bearing. The amount of grease used in the original design is calculated and this is what is needed to create the film of molybdenum on the raceway of the ball, and although visually seems to be a small quantity, is technically the optimal amount for operation.

Technical characteristics:

Material Steel AISI 52100 (Chrome) stabilized to the application
Treatment of manganese phosphate coating on all steel parts
Radial x4 C5
Bearing running open
Greasing with molybdenum disulphide grease

Fields of application:

Paint Ovens
Steel Industry
Furnaces for Ceramic Industry
Trolley Industry Brick Kilns

Ball bearing for high temperature

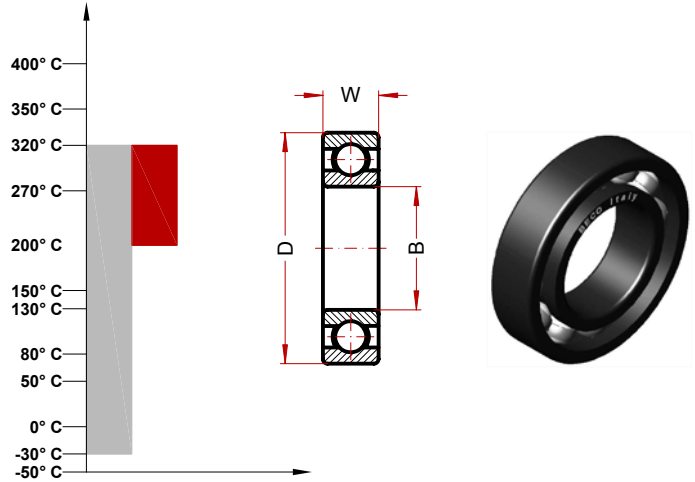
BHT 320° (MICRO Serie)

MAX TEMP CELSIUS 320° C

MAX TEMP FAHRENHEIT 608° F

SUGGESTED RANGE 200-320° C

SUGGESTED RANGE 392-608° F



Designation	Bore (B)	Diam (D)	Width (W)	Weight g	Speed RPM/min (*)	Static Load kN
613/3 BHT 320°	3	8	3	1.5	280	
623 BHT 320°	3	10	4	3	280	0.16
604 BHT 320°	4	12	4	3	280	0.29
624 BHT 320°	4	13	5	3	280	0.29
605 BHT 320°	5	14	5	4	280	0.35
625 BHT 320°	5	16	5	5	280	0.35
606 BHT 320°	6	17	6	7	280	0.72
626 BHT 320°	6	19	6	8	280	0.72
607 BHT 320°	7	19	6	8	280	0.72
627 BHT 320°	7	22	7	13	280	0.93
608 BHT 320°	8	22	7	13	280	0.93
628 BHT 320°	8	24	8	14	280	0.93
609 BHT 320°	9	24	7	15	280	1.11
629 BHT 320°	9	26	8	20	280	1.33

Static load and max speed are calculated for the maximum temperature of application we supply this technical information only for help customer in the choice. Due the extremely difference in the condition of application. We suggest to the customer to contact our engineering service and made practical test for check in the real condition the practical working.

Ball bearing for high temperature

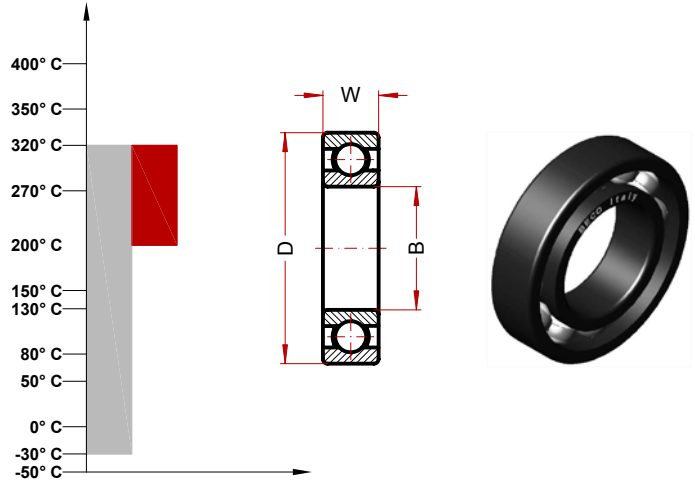
BHT 320° (61800 Serie)

MAX TEMP CELSIUS 320° C

MAX TEMP FAHRENHEIT 608° F

SUGGESTED RANGE 200-320° C

SUGGESTED RANGE 392-608° F



Designation	Bore (B)	Diam (D)	Widht (W)	Weight g	Speed RPM/min (*)	Static Load kN
61800 BHT 320°	10	19	5	6	282	0.56
61801 BHT 320°	12	21	5	7	262	0.65
61802 BHT 320°	15	24	5	7	242	0.85
61803 BHT 320°	17	26	5	8	222	0.99
61804 BHT 320°	20	32	7	18	200	1.59
61805 BHT 320°	25	37	7	24	170	1.90
61806 BHT 320°	30	42	7	27	130	2.28
61807 BHT 320°	35	47	7	32	110	2.45
61808 BHT 320°	40	52	7	35	100	2.90
61809 BHT 320°	45	58	7	42	90	3.81
61810 BHT 320°	50	65	7	52	85	4.28
61811 BHT 320°	55	72	9	81	75	5.78
61812 BHT 320°	60	78	10	105	70	7.48
61813 BHT 320°	65	85	10	124	63	8.16
61814 BHT 320°	70	90	10	133	60	8.50
61815 BHT 320°	75	95	10	143	56	9.11

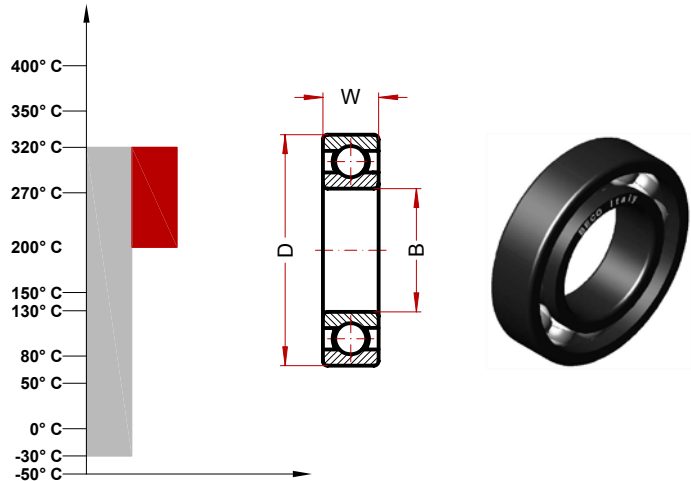
Static load and max speed are calculated for the maximum temperature of application we supply this technical information only for help customer in the choice. Due the extremely difference in the condition of application. We suggest to the customer to contact our engineering service and made pratical test for check in the real condition the pratical working.

Ball bearing for high temperature

BHT 320° (6000 Serie)

MAX TEMP CELSIUS 320° C
 MAX TEMP FAHRENHEIT 608° F

SUGGESTED RANGE 200-320° C
 SUGGESTED RANGE 392-608° F



Designation	Bore (B)	Diam (D)	Widht (W)	Weight g	Speed RPM/min (*)	Static Load kN
6000 BHT 320°	10	26	8	20	282	1.34
6001 BHT 320°	12	28	8	25	262	1.61
6002 BHT 320°	15	32	9	30	242	1.94
6003 BHT 320°	17	35	10	40	222	2.21
6004 BHT 320°	20	42	12	69	200	3.40
6005 BHT 320°	25	47	12	80	170	3.98
6006 BHT 320°	30	55	13	120	130	5.44
6007 BHT 320°	35	62	14	160	110	7.07
6008 BHT 320°	40	68	15	190	100	8
6009 BHT 320°	45	75	16	250	90	9.73
6010 BHT 320°	50	80	16	260	85	10.61
6011 BHT 320°	55	90	18	390	75	14.42
6012 BHT 320°	60	95	18	420	70	15.80
6013 BHT 320°	65	100	18	440	63	17
6014 BHT 320°	70	110	20	600	60	21.42
6015 BHT 320°	75	115	20	640	50	23.12
6016 BHT 320°	80	125	22	850	50	26
6017 BHT 320°	85	130	22	890	50	27.9
6018 BHT 320°	90	140	24	1150	50	32.5
6019 BHT 320°	95	145	24	1200	50	35.1
6020 BHT 320°	100	150	24	1250	50	35.1

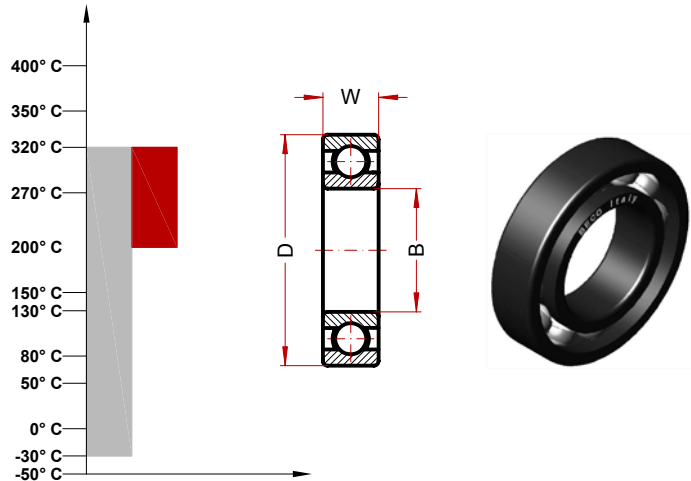
Static load and max speed are calculated for the maximum temperature of application we supply this technical information only for help customer in the choice. Due the extremely difference in the condition of application. We suggest to the customer to contact our engineering service and made pratical test for check in the real condition the pratical working.

Ball bearing for high temperature

BHT 320° (6200 Serie)

MAX TEMP CELSIUS 320° C
 MAX TEMP FAHRENHEIT 608° F

SUGGESTED RANGE 200-320° C
 SUGGESTED RANGE 392-608° F



Designation	Bore (B)	Diam (D)	Widht (W)	Weight g	Speed RPM/min (*)	Static Load kN
6200 BHT 320°	10	30	9	30	262	1.77
6201 BHT 320°	12	32	10	37	242	2.11
6202 BHT 320°	15	35	11	45	180	2.55
6203 BHT 320°	17	40	12	65	175	3.23
6204 BHT 320°	20	47	14	110	150	4.46
6205 BHT 320°	25	52	15	130	140	5.44
6206 BHT 320°	30	62	16	200	110	7.62
6207 BHT 320°	35	72	17	290	100	10
6208 BHT 320°	40	80	18	370	85	12.24
6209 BHT 320°	45	85	19	410	80	13.87
6210 BHT 320°	50	90	20	460	75	16.3
6211 BHT 320°	55	100	21	610	67	19.88
6212 BHT 320°	62	110	22	780	60	24.48
6213 BHT 320°	65	120	23	990	53.2	28.22
6214 BHT 320°	70	125	24	1040	50	29.92
6215 BHT 320°	75	130	25	1210	50	33.32
6216 BHT 320°	80	140	26	1400	50	35.7
6217 BHT 320°	85	150	28	1800	50	41.6
6218 BHT 320°	90	160	30	2150	50	47.7
6219 BHT 320°	95	170	32	2500	50	52.9
6220 BHT 320°	100	180	34	3150	50	60.4

Static load and max speed are calculated for the maximum temperature of application we supply this technical information only for help customer in the choice. Due the extremely difference in the condition of application. We suggest to the customer to contact our engineering service and made pratical test for check in the real condition the pratical working.

Ball bearing for high temperature

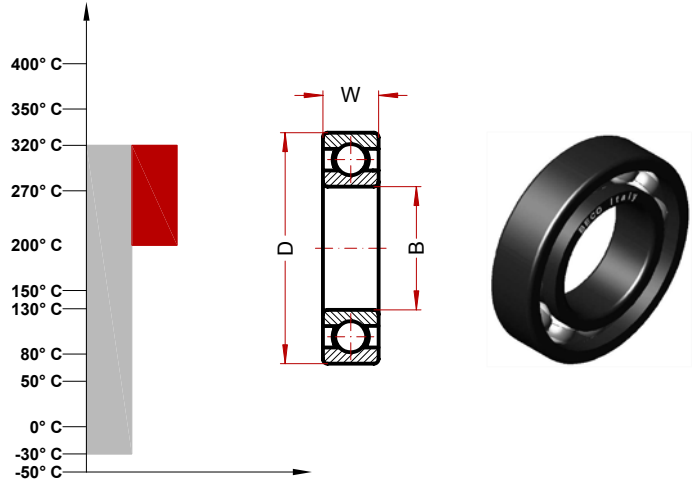
BHT 320° (6300 Serie)

MAX TEMP CELSIUS 320° C

MAX TEMP FAHRENHEIT 608° F

SUGGESTED RANGE 200-320° C

SUGGESTED RANGE 392-608° F



Designation	Bore (B)	Diam (D)	Widht (W)	Weight g	Speed RPM/min (*)	Static Load kN
6300 BHT 320°	10	35	11	52	220	2.34
6301 BHT 320°	12	37	12	60	200	2.82
6302 BHT 320°	15	42	13	80	180	3.67
6303 BHT 320°	17	47	14	120	160	4.46
6304 BHT 320°	20	52	15	140	140	5.78
6305 BHT 320°	25	62	17	225	110	7.75
6306 BHT 320°	30	72	19	350	95	11
6307 BHT 320°	35	80	21	450	85	12.92
6308 BHT 320°	40	90	23	620	75	17
6309 BHT 320°	45	100	25	830	67	21.76
6310 BHT 320°	50	110	27	1050	60	25
6311 BHT 320°	55	120	29	1350	53	32.30
6312 BHT 320°	60	130	31	1700	50	35.36
6313 BHT 320°	65	140	33	2100	50	40.8
6314 BHT 320°	70	150	35	2500	50	46
6315 BHT 320°	75	160	37	3000	50	52
6316 BHT 320°	80	170	39	3600	50	56.2
6317 BHT 320°	85	180	41	4250	50	62.7
6318 BHT 320°	90	190	43	4900	50	70.2
6319 BHT 320°	95	200	45	5650	50	76.7
6320 BHT 320°	100	215	47	7000	50	91

Static load and max speed are calculated for the maximum temperature of application we supply this technical information only for help customer in the choice. Due the extremely difference in the condition of application. We suggest to the customer to contact our engineering service and made pratical test for check in the real condition the pratical working.

Ball bearing for high temperature

BHTS ZZ 280°

The BHTS ZZ 280° ball bearings are designed on the dimensions of a standard bearing but with treatments of stabilisation, surface treatment, radial clearance, grease and special shield that make them suitable for operation from -30° to +280°. Their recommended range of application is between 200° and 280° where these bearings achieve their best performance. Below 200° there are the BHTS ZZ 200° bearings available, which are cheaper and also allow a much higher rotational speed. The BHTS ZZ 280° bearings are currently available in approximately 200 different models, all of which, are in stock and able to cover most of the requirements for bearings of high temperatures.

Technical characteristics:

Material Steel AISI 52100 (Chrome) stabilized to the application

Treatment of manganese phosphate coating on all steel parts

Radial x4 C5

Shield ZZ

Greasing with PTFE based grease-free silicone for temperatures up to 280° (with a drop point above 400°)

Fields of application:

Paint Ovens

Steel Industry

Furnaces for Ceramic Industry

Trolley Industry Brick Kilns

Ball bearing for high temperature

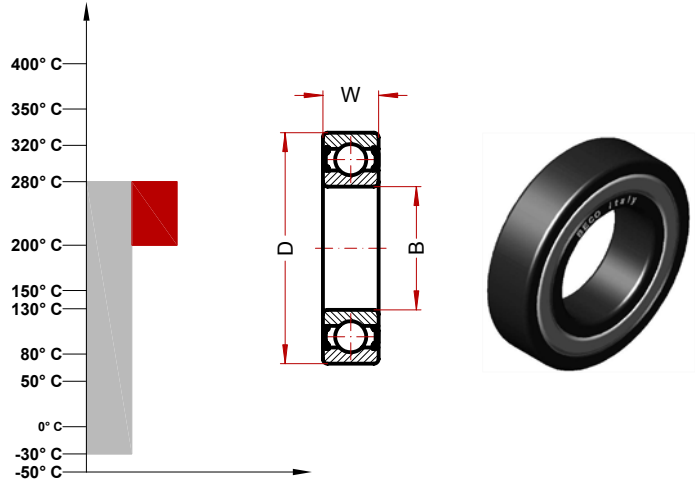
BHTS ZZ 280° (MICRO Serie)

MAX TEMP CELSIUS 280° C

MAX TEMP FAHRENHEIT 535° F

SUGGESTED RANGE 200-280° C

SUGGESTED RANGE 392-535° F



Designation	Bore (B)	Diam (D)	Widht (W)	Weight g	Speed RPM/min (*)	Static Load kN
613/3 BHTS ZZ 280°	3	8	3	1.5	2300	
623 BHTS ZZ 280°	3	10	4	3	2300	0.16
604 BHTS ZZ 280°	4	12	4	3	2300	0.29
624 BHTS ZZ 280°	4	13	5	3	2300	0.29
606 BHTS ZZ 280°	5	14	5	4	2300	0.35
625 BHTS ZZ 280°	5	16	5	5	2300	0.35
606 BHTS ZZ 280°	6	17	6	7	2300	0.72
626 BHTS ZZ 280°	6	19	6	8	2300	0.72
607 BHTS ZZ 280°	7	19	6	8	2300	0.72
627 BHTS ZZ 280°	7	22	7	13	2200	0.93
608 BHTS ZZ 280°	8	22	7	13	2100	0.93
628 BHTS ZZ 280°	8	24	8	14	2000	0.93
609 BHTS ZZ 280°	9	24	7	15	1900	1.11
629 BHTS ZZ 280°	9	26	8	20	1800	1.33

Static load and max speed are calculated for the maximum temperature of application we supply this technical information only for help customer in the choice. Due the extremely difference in the condition of application. We suggest to the customer to contact our engineering service and made pratical test for check in the real condition the pratical working.

Ball bearing for high temperature

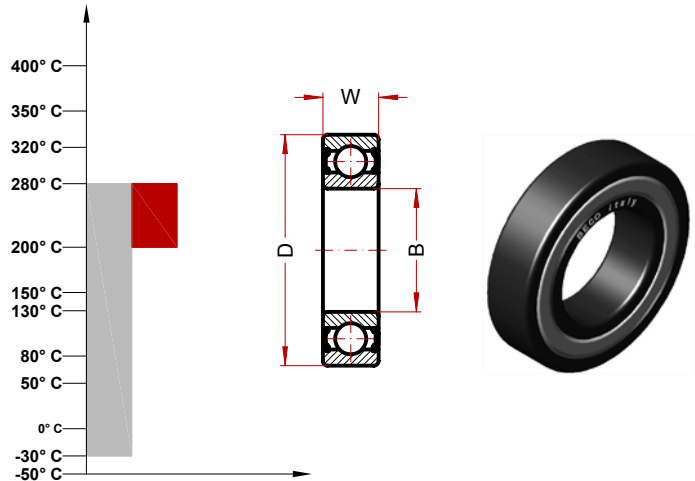
BHTS ZZ 280° (61800 Serie)

MAX TEMP CELSIUS 280° C

MAX TEMP FAHRENHEIT 535° F

SUGGESTED RANGE 200-280° C

SUGGESTED RANGE 392-535° F



Designation	Bore (B)	Diam (D)	Width (W)	Weight g	Speed RPM/min (*)	Static Load kN
61800 BHTS ZZ 280°	10	19	5	5.6	2240	0.56
61801 BHTS ZZ 280°	12	21	5	6.5	2080	0.65
61802 BHTS ZZ 280°	15	24	5	7.6	1920	0.85
61803 BHTS ZZ 280°	17	26	5	8.2	1760	0.99
61804 BHTS ZZ 280°	20	32	7	18	1600	1.59
61805 BHTS ZZ 280°	25	37	7	24	1360	1.90
61806 BHTS ZZ 280°	30	42	7	27	1040	2.28
61807 BHTS ZZ 280°	35	47	7	32	880	2.45
61808 BHTS ZZ 280°	40	52	7	35	800	2.90
61809 BHTS ZZ 280°	45	58	7	42	720	3.81
61810 BHTS ZZ 280°	50	65	7	52	680	4.28
61811 BHTS ZZ 280°	55	72	9	81	600	5.78
61812 BHTS ZZ 280°	60	78	10	105	560	7.48
61813 BHTS ZZ 280°	65	85	10	124	504	8.16
61814 BHTS ZZ 280°	70	90	10	133	480	8.50
61815 BHTS ZZ 280°	75	95	10	143	448	9.11
61816 BHTS ZZ 280°	80	100	10	150	400	
61817 BHTS ZZ 280°	85	110	13	270	390	
61818 BHTS ZZ 280°	90	115	13	280	360	
61819 BHTS ZZ 280°	95	120	13	300	340	
61820 BHTS ZZ 280°	100	125	13	310	300	

Static load and max speed are calculated for the maximum temperature of application we supply this technical information only for help customer in the choice. Due the extremely difference in the condition of application. We suggest to the customer to contact our engineering service and made practical test for check in the real condition the practical working.

Ball bearing for high temperature

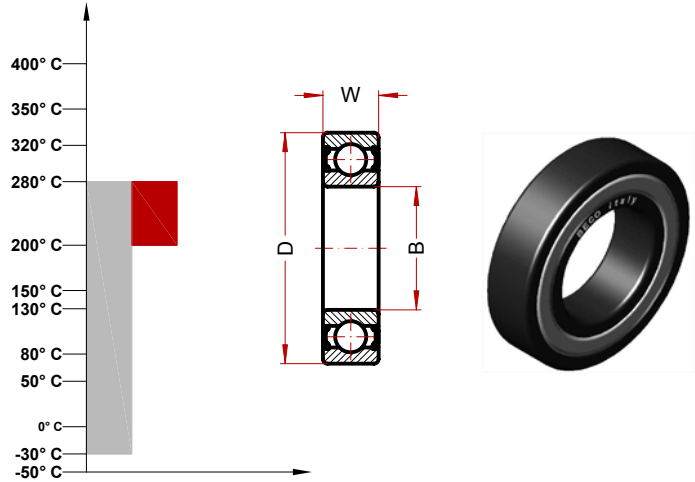
BHTS ZZ 280° (61900 Serie)

MAX TEMP CELSIUS 280° C

MAX TEMP FAHRENHEIT 535° F

SUGGESTED RANGE 200-280° C

SUGGESTED RANGE 392-535° F



Designation	Bore (B)	Diam (D)	Widht (W)	Weight g	Speed RPM/min (*)	Static Load kN
61900 BHTS ZZ 280°	10	22	6	10	2240	
61901 BHTS ZZ 280°	12	24	6	11	2080	
61902 BHTS ZZ 280°	15	28	7	16	1920	
61903 BHTS ZZ 280°	17	30	7	18	1760	
61904 BHTS ZZ 280°	20	37	9	38	1600	
61905 BHTS ZZ 280°	25	37	7	22	1360	
61906 BHTS ZZ 280°	30	47	9	51	1040	
61907 BHTS ZZ 280°	35	55	10	80	880	
61908 BHTS ZZ 280°	40	62	12	120	800	
61909 BHTS ZZ 280°	45	68	12	140	720	
61910 BHTS ZZ 280°	50	72	12	160	680	
61911 BHTS ZZ 280°	55	80	13	190	600	
61912 BHTS ZZ 280°	60	85	13	200	560	
61913 BHTS ZZ 280°	65	90	13	220	504	
61914 BHTS ZZ 280°	70	100	16	350	480	
61915 BHTS ZZ 280°	75	105	16	370	448	

Static load and max speed are calculated for the maximum temperature of application we supply this technical information only for help customer in the choice. Due the extremely difference in the condition of application. We suggest to the customer to contact our engineering service and made pratical test for check in the real condition the pratical working.

Ball bearing for high temperature

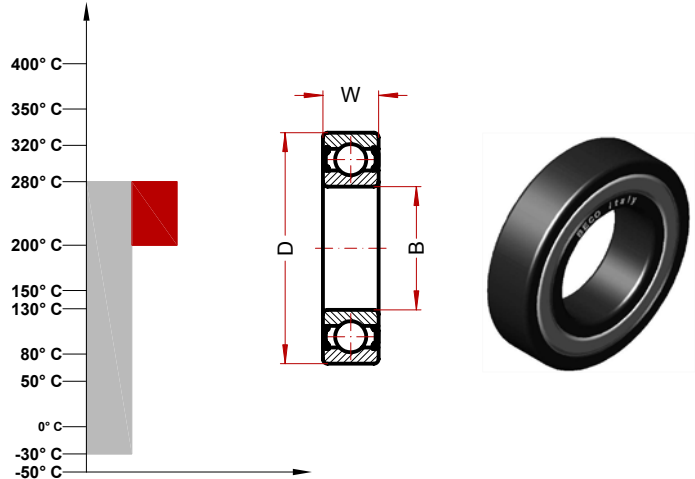
BHTS ZZ 280° (6000 Serie)

MAX TEMP CELSIUS 280° C

MAX TEMP FAHRENHEIT 535° F

SUGGESTED RANGE 200-280° C

SUGGESTED RANGE 392-535° F



Designation	Bore (B)	Diam (D)	Widht (W)	Weight g	Speed RPM/min (*)	Static Load kN
6000 BHTS ZZ 280°	10	26	8	20	2240	1.34
6001 BHTS ZZ 280°	12	28	8	25	2080	1.61
6002 BHTS ZZ 280°	15	32	9	30	1920	1.94
6003 BHTS ZZ 280°	17	35	10	40	1760	2.21
6004 BHTS ZZ 280°	20	42	12	69	1600	3.40
6005 BHTS ZZ 280°	25	47	12	80	1360	3.98
6006 BHTS ZZ 280°	30	55	13	120	1040	5.44
6007 BHTS ZZ 280°	35	62	14	160	880	7.07
6008 BHTS ZZ 280°	40	68	15	190	800	8
6009 BHTS ZZ 280°	45	75	16	250	720	9.73
6010 BHTS ZZ 280°	50	80	16	260	680	10.61
6011 BHTS ZZ 280°	55	90	18	390	600	14.42
6012 BHTS ZZ 280°	60	95	18	420	560	15.80
6013 BHTS ZZ 280°	65	100	18	440	504	17
6014 BHTS ZZ 280°	70	110	20	600	480	21.42
6015 BHTS ZZ 280°	75	115	20	640	448	23.12
6016 BHTS ZZ 280°	80	125	22	850	400	26
6017 BHTS ZZ 280°	85	130	22	890	380	27.9
6018 BHTS ZZ 280°	90	140	24	1150	360	32.5
6019 BHTS ZZ 280°	95	145	24	1200	340	35.1
6020 BHTS ZZ 280°	100	150	24	1250	300	35.1

Static load and max speed are calculated for the maximum temperature of application we supply this technical information only for help customer in the choice. Due the extremely difference in the condition of application. We suggest to the customer to contact our engineering service and made pratical test for check in the real condition the pratical working.

Ball bearing for high temperature

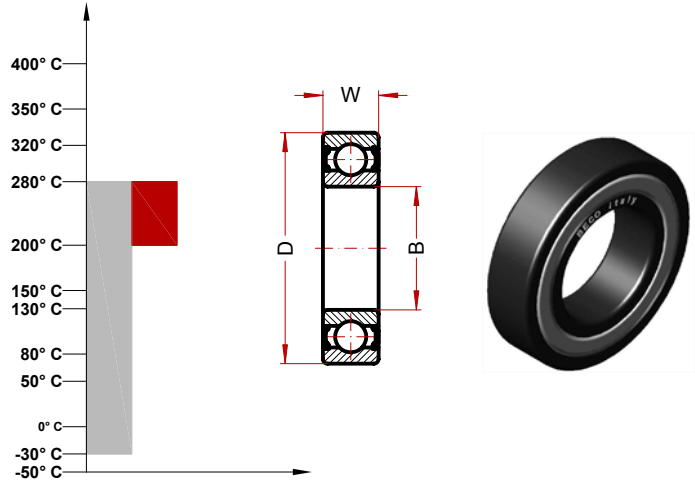
BHTS ZZ 280° (6200 Serie)

MAX TEMP CELSIUS 280° C

MAX TEMP FAHRENHEIT 535° F

SUGGESTED RANGE 200-280° C

SUGGESTED RANGE 392-535° F



Designation	Bore (B)	Diam (D)	Width (W)	Weight g	Speed RPM/min (*)	Static Load kN
6200 BHTS ZZ 280°	10	30	9	30	2080	1.77
6201 BHTS ZZ 280°	12	32	10	37	1920	2.11
6202 BHTS ZZ 280°	15	35	11	45	1600	2.55
6203 BHTS ZZ 280°	17	40	12	65	1440	3.23
6204 BHTS ZZ 280°	20	47	14	110	1200	4.46
6205 BHTS ZZ 280°	25	52	15	130	1120	5.44
6206 BHTS ZZ 280°	30	62	16	200	880	7.62
6207 BHTS ZZ 280°	35	72	17	290	760	10
6208 BHTS ZZ 280°	40	80	18	370	680	12.24
6209 BHTS ZZ 280°	45	85	19	410	640	13.87
6210 BHTS ZZ 280°	50	90	20	460	600	16.3
6211 BHTS ZZ 280°	55	100	21	610	536	19.88
6212 BHTS ZZ 280°	62	110	22	780	480	24.48
6213 BHTS ZZ 280°	65	120	23	990	424	28.22
6214 BHTS ZZ 280°	70	125	24	1040	400	29.92
6215 BHTS ZZ 280°	75	130	25	1210	384	33.32
6216 BHTS ZZ 280°	80	140	26	1400	350	35.7
6217 BHTS ZZ 280°	85	150	28	1800	330	41.6
6218 BHTS ZZ 280°	90	160	30	2150	310	43.7
6219 BHTS ZZ 280°	95	170	32	2600	300	52.9
6220 BHTS ZZ 280°	100	180	34	3150	290	60.4

Static load and max speed are calculated for the maximum temperature of application we supply this technical information only for help customer in the choice. Due the extremely difference in the condition of application. We suggest to the customer to contact our engineering service and made practical test for check in the real condition the practical working.

Ball bearing for high temperature

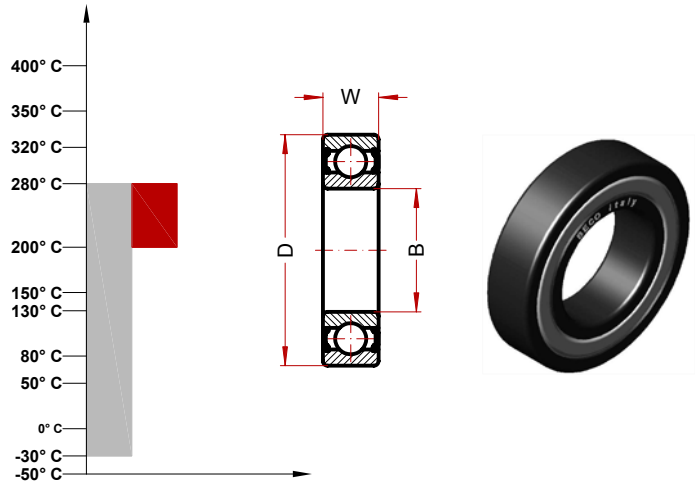
BHTS ZZ 280° (6300 Serie)

MAX TEMP CELSIUS 280° C

MAX TEMP FAHRENHEIT 535° F

SUGGESTED RANGE 200-280° C

SUGGESTED RANGE 392-535° F



Designation	Bore (B)	Diam (D)	Widht (W)		Speed RPM/min (*)	Static Load kN
6300 BHTS ZZ 280°	10	35	11	52	1760	2.34
6301 BHTS ZZ 280°	12	37	12	60	1600	2.82
6302 BHTS ZZ 280°	15	42	13	80	1440	3.67
6303 BHTS ZZ 280°	17	47	14	120	1280	4.46
6304 BHTS ZZ 280°	20	52	15	140	1120	5.78
6305 BHTS ZZ 280°	25	62	17	225	880	7.75
6306 BHTS ZZ 280°	30	72	19	350	760	11
6307 BHTS ZZ 280°	35	80	21	450	680	12.92
6308 BHTS ZZ 280°	40	90	23	620	600	17
6309 BHTS ZZ 280°	45	100	25	830	536	21.76
6310 BHTS ZZ 280°	50	110	27	1050	480	25
6311 BHTS ZZ 280°	55	120	29	1350	424	32.30
6312 BHTS ZZ 280°	60	130	31	1700	400	35.36
6313 BHTS ZZ 280°	65	140	33	2100	360	40.8
6314 BHTS ZZ 280°	70	150	35	2500	344	46
6315 BHTS ZZ 280°	75	160	37	3000	320	52
6316 BHTS ZZ 280°	80	170	39	3600	300	56.2
6317 BHTS ZZ 280°	85	180	41	4250	290	62.7
6318 BHTS ZZ 280°	90	190	43	4900	270	70.2
6319 BHTS ZZ 280°	95	200	45	5650	250	76.7
6320 BHTS ZZ 280°	100	215	47	7000	230	91

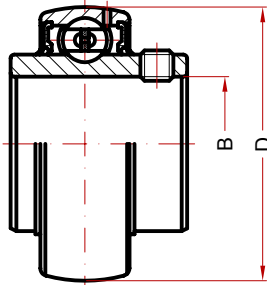
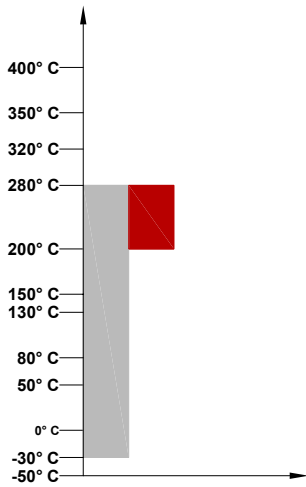
Static load and max speed are calculated for the maximum temperature of application we supply this technical information only for help customer in the choice. Due the extremely difference in the condition of application. We suggest to the customer to contact our engineering service and made pratical test for check in the real condition the pratical working.

Ball bearing for high temperature

BHTS ZZ 280° (UC Serie)

MAX TEMP CELSIUS 280° C
 MAX TEMP FAHRENHEIT 535° F

SUGGESTED RANGE 200-280° C
 SUGGESTED RANGE 392-535° F



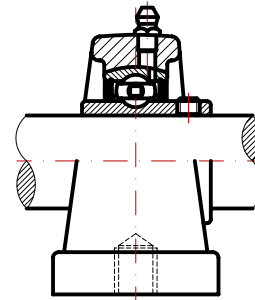
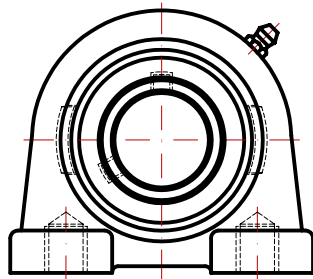
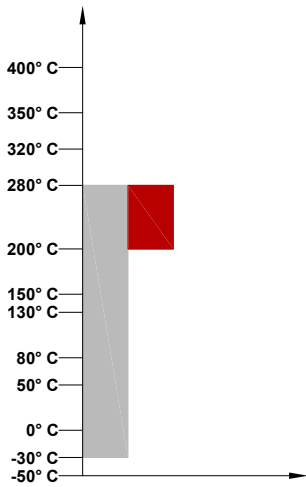
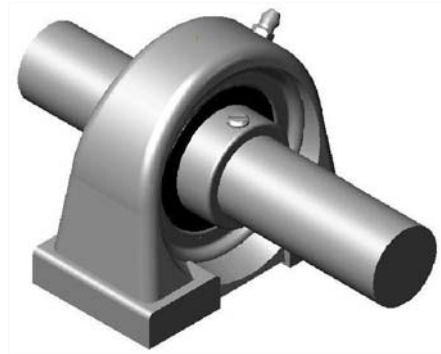
Designation	Bore (B)	Diam (D)	Speed RPM/min (*)
UC 201 BHTS ZZ 280°	12	40	1440
UC 202 BHTS ZZ 280°	15	40	1440
UC 203 BHTS ZZ 280°	17	40	1440
UC 204 BHTS ZZ 280°	20	47	1200
UC 205 BHTS ZZ 280°	25	52	1120
UC 206 BHTS ZZ 280°	30	62	880
UC 207 BHTS ZZ 280°	35	72	760
UC 208 BHTS ZZ 280°	40	80	680
UC 209 BHTS ZZ 280°	45	85	640
UC 210 BHTS ZZ 280°	50	90	600
UC 211 BHTS ZZ 280°	55	100	536
UC 212 BHTS ZZ 280°	60	110	480
UC 213 BHTS ZZ 280°	65	120	424
UC 214 BHTS ZZ 280°	70	125	400
UC 215 BHTS ZZ 280°	75	130	384

Ball bearing for high temperature

BHTS ZZ 280° (UCPA Serie)

MAX TEMP CELSIUS 280° C
 MAX TEMP FAHRENHEIT 535° F

SUGGESTED RANGE 200-280° C
 SUGGESTED RANGE 392-535° F



Unit code	Bearing code	Housing code
UCPA 201 BHTS ZZ 280°	UC 201 BHTS ZZ 280°	SS PA 201
UCPA 202 BHTS ZZ 280°	UC 202 BHTS ZZ 280°	SS PA 202
UCPA 203 BHTS ZZ 280°	UC 203 BHTS ZZ 280°	SS PA 203
UCPA 204 BHTS ZZ 280°	UC 204 BHTS ZZ 280°	SS PA 204
UCPA 205 BHTS ZZ 280°	UC 205 BHTS ZZ 280°	SS PA 205
UCPA 206 BHTS ZZ 280°	UC 206 BHTS ZZ 280°	SS PA 206
UCPA 207 BHTS ZZ 280°	UC 207 BHTS ZZ 280°	SS PA 207
UCPA 208 BHTS ZZ 280°	UC 208 BHTS ZZ 280°	SS PA 208
UCPA 209 BHTS ZZ 280°	UC 209 BHTS ZZ 280°	SS PA 209
UCPA 210 BHTS ZZ 280°	UC 210 BHTS ZZ 280°	SS PA 210
UCPA 211 BHTS ZZ 280°	UC 211 BHTS ZZ 280°	SS PA 211
UCPA 212 BHTS ZZ 280°	UC 212 BHTS ZZ 280°	SS PA 212
UCPA 213 BHTS ZZ 280°	UC 213 BHTS ZZ 280°	SS PA 213
UCPA 214 BHTS ZZ 280°	UC 214 BHTS ZZ 280°	SS PA 214
UCPA 215 BHTS ZZ 280°	UC 215 BHTS ZZ 280°	SS PA 215

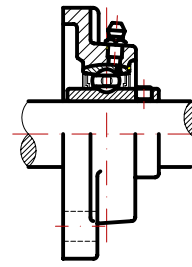
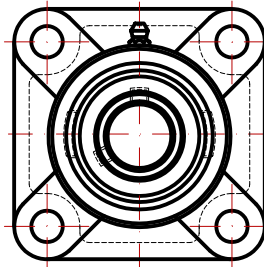
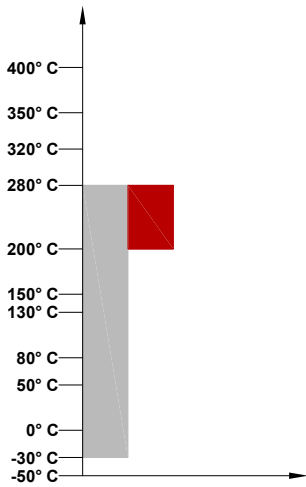
Static load and max speed are calculated for the maximum temperature of application we supply this technical information only for help customer in the choice. Due the extremely difference in the condition of application. We suggest to the customer to contact our engineering service and made practical test for check in the real condition the practical working.

Ball bearing for high temperature

BHTS ZZ 280° (UCF Serie)

MAX TEMP CELSIUS 280° C
MAX TEMP FAHRENHEIT 535° F

SUGGESTED RANGE 200-280° C
SUGGESTED RANGE 392-535° F



Unit code	Bearing code	Housing code
UCF 201 BHTS ZZ 280°	UC 201 BHTS ZZ 280°	SS F 201
UCF 202 BHTS ZZ 280°	UC 202 BHTS ZZ 280°	SS F 202
UCF 203 BHTS ZZ 280°	UC 203 BHTS ZZ 280°	SS F 203
UCF 204 BHTS ZZ 280°	UC 204 BHTS ZZ 280°	SS F 204
UCF 205 BHTS ZZ 280°	UC 205 BHTS ZZ 280°	SS F 205
UCF 206 BHTS ZZ 280°	UC 206 BHTS ZZ 280°	SS F 206
UCF 207 BHTS ZZ 280°	UC 207 BHTS ZZ 280°	SS F 207
UCF 208 BHTS ZZ 280°	UC 208 BHTS ZZ 280°	SS F 208
UCF 209 BHTS ZZ 280°	UC 209 BHTS ZZ 280°	SS F 209
UCF 210 BHTS ZZ 280°	UC 210 BHTS ZZ 280°	SS F 210
UCF 211 BHTS ZZ 280°	UC 211 BHTS ZZ 280°	SS F 211
UCF 212 BHTS ZZ 280°	UC 212 BHTS ZZ 280°	SS F 212
UCF 213 BHTS ZZ 280°	UC 213 BHTS ZZ 280°	SS F 213
UCF 214 BHTS ZZ 280°	UC 214 BHTS ZZ 280°	SS F 214
UCF 215 BHTS ZZ 280°	UC 215 BHTS ZZ 280°	SS F 215

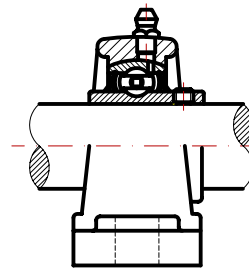
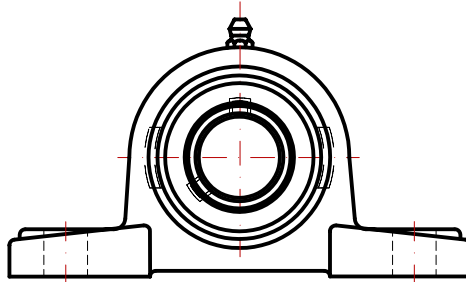
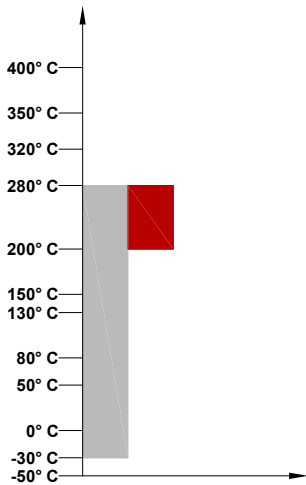
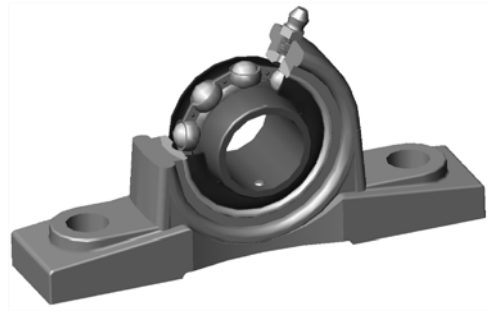
Static load and max speed are calculated for the maximum temperature of application we supply this technical information only for help customer in the choice. Due the extremely difference in the condition of application. We suggest to the customer to contact our engineering service and made pratical test for check in the real condition the pratical working.

Ball bearing for high temperature

BHTS ZZ 280° (UCP Serie)

MAX TEMP CELSIUS 280° C
MAX TEMP FAHRENHEIT 535° F

SUGGESTED RANGE 200-280° C
SUGGESTED RANGE 392-535° F



Unit code	Bearing code	Housing code
UCP 201 BHTS ZZ 280°	UC 201 BHTS ZZ 280°	SS P 201
UCP 202 BHTS ZZ 280°	UC 202 BHTS ZZ 280°	SS P 202
UCP 203 BHTS ZZ 280°	UC 203 BHTS ZZ 280°	SS P 203
UCP 204 BHTS ZZ 280°	UC 204 BHTS ZZ 280°	SS P 204
UCP 205 BHTS ZZ 280°	UC 205 BHTS ZZ 280°	SS P 205
UCP 206 BHTS ZZ 280°	UC 206 BHTS ZZ 280°	SS P 206
UCP 207 BHTS ZZ 280°	UC 207 BHTS ZZ 280°	SS P 207
UCP 208 BHTS ZZ 280°	UC 208 BHTS ZZ 280°	SS P 208
UCP 209 BHTS ZZ 280°	UC 209 BHTS ZZ 280°	SS P 209
UCP 210 BHTS ZZ 280°	UC 210 BHTS ZZ 280°	SS P 210
UCP 211 BHTS ZZ 280°	UC 211 BHTS ZZ 280°	SS P 211
UCP 212 BHTS ZZ 280°	UC 212 BHTS ZZ 280°	SS P 212
UCP 213 BHTS ZZ 280°	UC 213 BHTS ZZ 280°	SS P 213
UCP 214 BHTS ZZ 280°	UC 214 BHTS ZZ 280°	SS P 214
UCP 215 BHTS ZZ 280°	UC 215 BHTS ZZ 280°	SS P 215

Static load and max speed are calculated for the maximum temperature of application we supply this technical information only for help customer in the choice. Due the extremely difference in the condition of application. We suggest to the customer to contact our engineering service and made pratical test for check in the real condition the pratical working.

Ball bearing for high temperature

BHTS Z 320°

Only for automatic
lubrication

The BHTS Z 320° ball bearings are designed on the dimensions of a standard bearing but with treatments of stabilisation, surface treatment, radial clearance, and molybdenum grease that make them suitable for operation from -30° to +320°. Their recommended range of application is only between 280° and 320°. The BHTS Z 320° bearings are open on one side and protected by sheet steel type Z on the opposite side. They require frequent additional lubrication with oil for high temperatures. Until the end of the 1980's, greases suitable at operating at a temperature in the absence of periodic lubrication were not available, so this product was the only solution to working in high temperatures. Such greases are now available, capable of operating up to 280° and lubrication with graphite cages for temperature up to 350°. Therefore this type of bearings now has a limited range of application in existing industrial plants. The lubrication with molybdenum disulphide grease makes the bearing vulnerable to oxidation resulting from the weather, so the shelf life is completely depending on the quality of maintenance performed. The BHTS Z 320° bearing has been produced for over 20 years and many customers have found that with the right balance in maintenance intervals achieve excellent results with a product that is objectively economic. Please note that the BHTS Z 320° bearing does not allow further greasing even with the same molybdenum disulphide grease. Our 20 years of experience has allowed us to identify almost exclusively as a cause of damage to the bearing, the added grease is incompatible even if of the same quality inside the bearing. The amount of grease used in the original design is calculated and this is what is needed to create the film of molybdenum on the raceway of the ball, and although visually seems to be a small quantity, is technically the optimal amount for operation.

Technical characteristics:

Material Steel AISI 52100 (Chrome) stabilized to the application
Treatment of manganese phosphate coating on all steel parts
Radial x4 C5
Z Shield on one side
Greasing with molybdenum disulphide grease

Fields of application:

Paint Ovens
Steel Industry
Furnaces for Ceramic Industry
Trolley Industry Brick Kilns

Ball bearing for high temperature

BHTS Z 320° (6000 Serie)

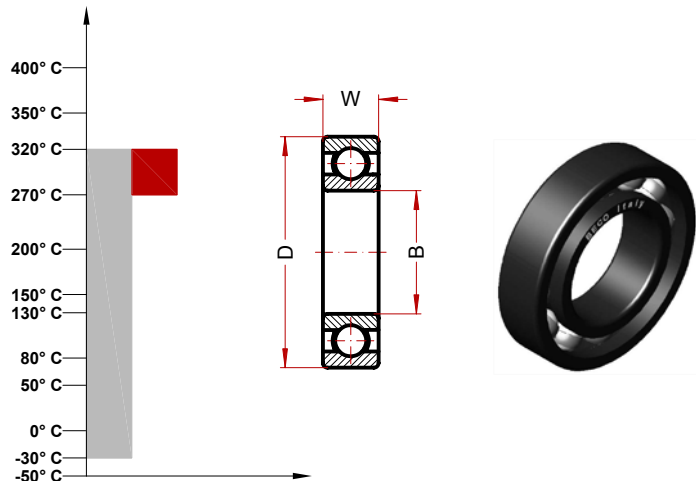
Only for automatic lubrication

MAX TEMP CELSIUS 320° C

MAX TEMP FAHRENHEIT 608° F

SUGGESTED RANGE 270-320° C

SUGGESTED RANGE 520-608° F



Designation	Bore (B)	Diam (D)	Widht (W)	Weight g	Speed RPM/min (*)	Static Load kN
6000 BHTS Z 320°	10	26	8	20	282	1.14
6001 BHTS Z 320°	12	28	8	25	262	1.37
6002 BHTS Z 320°	15	32	9	30	242	1.65
6003 BHTS Z 320°	17	35	10	40	222	1.88
6004 BHTS Z 320°	20	42	12	69	200	2.89
6005 BHTS Z 320°	25	47	12	80	170	3.38
6006 BHTS Z 320°	30	55	13	120	130	4.62
6007 BHTS Z 320°	35	62	14	160	110	6.01
6008 BHTS Z 320°	40	68	15	190	100	6.80
6009 BHTS Z 320°	45	75	16	250	90	8.27
6010 BHTS Z 320°	50	80	16	260	85	9.02
6011 BHTS Z 320°	55	90	18	390	75	12.26
6012 BHTS Z 320°	60	95	18	420	70	13.43
6013 BHTS Z 320°	65	100	18	440	63	14.45
6014 BHTS Z 320°	70	110	20	600	60	18.21
6015 BHTS Z 320°	75	115	20	640	56	19.65
6016 BHTS Z 320°	80	125	22	850	50	22.1
6017 BHTS Z 320°	85	130	22	890	50	23.7
6018 BHTS Z 320°	90	140	24	1150	50	27.6
6019 BHTS Z 320°	95	145	24	1200	50	29.8
6020 BHTS Z 320°	100	150	24	1250	50	29.8

Static load and max speed are calculated for the maximum temperature of application we supply this technical information only for help customer in the choice. Due the extremely difference in the condition of application. We suggest to the customer to contact our engineering service and made pratical test for check in the real condition the pratical working.

Ball bearing for high temperature

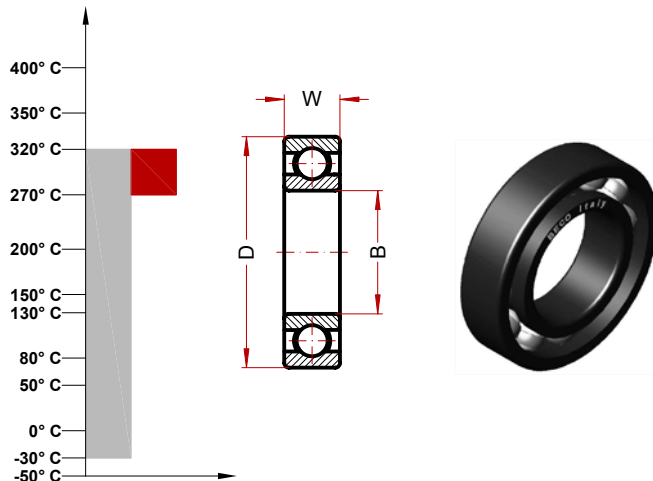
BHTS Z 320° (6200 Séries)

MAX TEMP CELSIUS 320° C

MAX TEMP FAHRENHEIT 608° F

SUGGESTED RANGE 270/320° C

SUGGESTED RANGE 520/608° F



Designation	Bore (B)	Diam (D)	Widht (W)	Weight g	Speed RPM/min (*)	Static Load, kN
6200 BHTS Z 320°	10	30	9	30	262	1.50
6201 BHTS Z 320°	12	32	10	37	242	1.79
6202 BHTS Z 320°	15	35	11	45	180	2.17
6203 BHTS Z 320°	17	40	12	65	175	2.75
6204 BHTS Z 320°	20	47	14	110	150	3.79
6205 BHTS Z 320°	25	52	15	130	140	4.62
6206 BHTS Z 320°	30	62	16	200	110	6.48
6207 BHTS Z 320°	35	72	17	290	100	8.50
6208 BHTS Z 320°	40	80	18	370	85	10.40
6209 BHTS Z 320°	45	85	19	410	80	11.79
6210 BHTS Z 320°	50	90	20	460	75	13.86
6211 BHTS Z 320°	55	100	21	610	67	16.90
6212 BHTS Z 320°	62	110	22	780	60	20.81
6213 BHTS Z 320°	65	120	23	990	53.2	23.99
6214 BHTS Z 320°	70	125	24	1040	50	25.43
6215 BHTS Z 320°	75	130	25	1210	50	28.32
6216 BHTS Z 320°	80	140	26	1400	50	30.3
6217 BHTS Z 320°	85	150	28	1800	50	35.3
6218 BHTS Z 320°	90	160	30	2150	50	40.5
6219 BHTS Z 320°	95	170	32	2600	50	44.9
6220 BHTS Z 320°	100	180	34	3150	50	51.3

Static load and max speed are calculated for the maximum temperature of application we supply this technical information only for help customer in the choice. Due the extremely difference in the condition of application. We suggest to the customer to contact our engineering service and made pratical test for check in the real condition the pratical working.

Ball bearing for high temperature

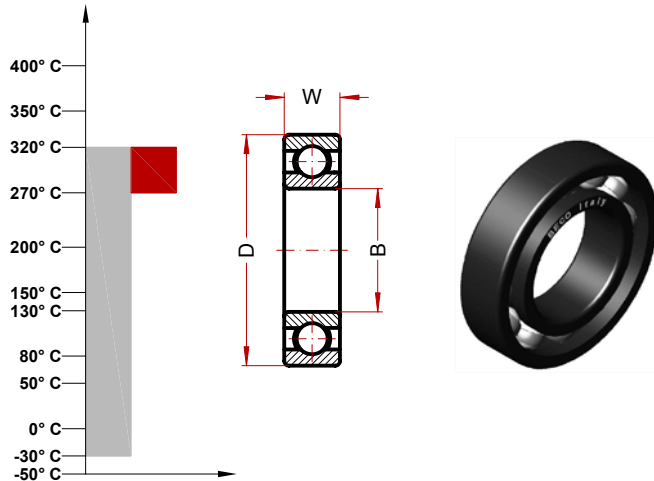
BHTS Z 320° (6300 Séries)

MAX TEMP CELSIUS 320° C

MAX TEMP FAHRENHEIT 608° F

SUGGESTED RANGE 270/320° C

SUGGESTED RANGE 520/608° F



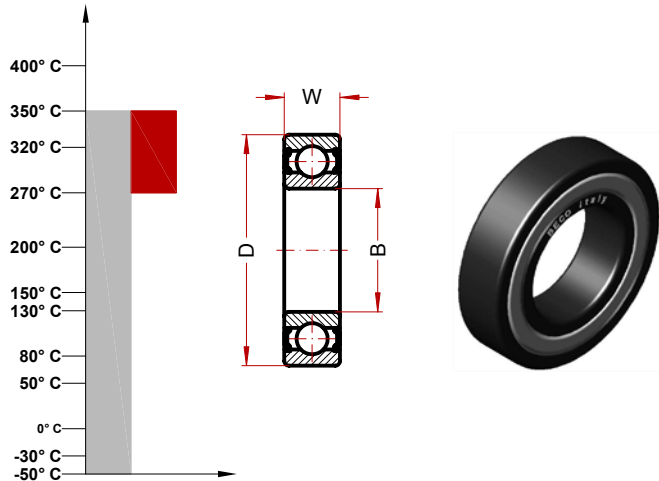
Designation	Bore (B)	Diam (D)	Widht (W)	Weight g	Speed RPM/min (*)	Static Load, kN
6300 BHTS Z 320°	10	35	11	52	220	1.99
6301 BHTS Z 320°	12	37	12	60	200	2.40
6302 BHTS Z 320°	15	42	13	80	180	3.12
6303 BHTS Z 320°	17	47	14	120	160	3.79
6304 BHTS Z 320°	20	52	15	140	140	4.91
6305 BHTS Z 320°	25	62	17	225	110	6.59
6306 BHTS Z 320°	30	72	19	350	95	9.35
6307 BHTS Z 320°	35	80	21	450	85	10.98
6308 BHTS Z 320°	40	90	23	620	75	14.45
6309 BHTS Z 320°	45	100	25	830	67	18.50
6310 BHTS Z 320°	50	110	27	1050	60	21.25
6311 BHTS Z 320°	55	120	29	1350	53	27.46
6312 BHTS Z 320°	60	130	31	1700	50	30.06
6313 BHTS Z 320°	65	140	33	2100	50	34.68
6314 BHTS Z 320°	70	150	35	2500	50	39.10
6315 BHTS Z 320°	75	160	37	3000	50	44.20
6316 BHTS Z 320°	80	170	39	3600	50	47.7
6317 BHTS Z 320°	85	180	41	4250	50	53.2
6318 BHTS Z 320°	90	190	43	4900	50	59.6
6319 BHTS Z 320°	95	200	45	5650	50	65.1
6320 BHTS Z 320°	100	215	47	7000	50	77.3

Static load and max speed are calculated for the maximum temperature of application we supply this technical information only for help customer in the choice. Due the extremely difference in the condition of application. We suggest to the customer to contact our engineering service and made pratical test for check in the real condition the pratical working.

Ball bearing for high temperature BHTS ZZ GR CG 350° (6200 Séries)

MAX TEMP CELSIUS 350° C
MAX TEMP FAHRENHEIT 662° F

SUGGESTED RANGE 270/350° C
SUGGESTED RANGE 520/662° F



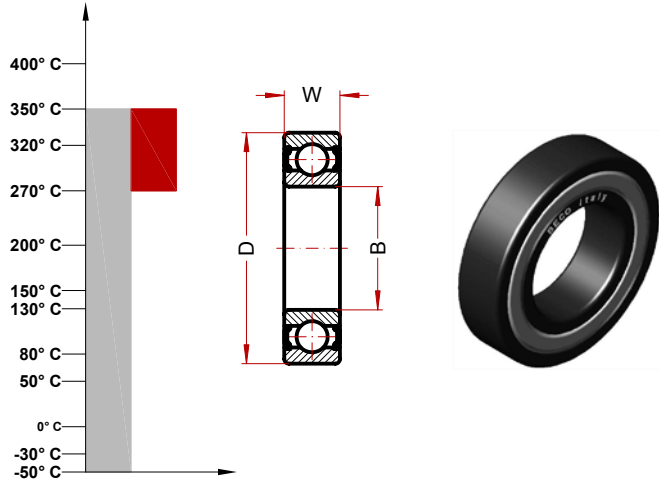
Designation	Bore (B)	Diam (D)	Widht (W)	Weight g	Speed RPM/min (*)	Static Load, kN
6200 BHTS ZZ GR CG 350°	10	30	9	30	90	1.50
6201 BHTS ZZ GR CG 350°	12	32	10	37	85	1.79
6202 BHTS ZZ GR CG 350°	15	35	11	45	80	2.17
6203 BHTS ZZ GR CG 350°	17	40	12	65	75	2.75
6204 BHTS ZZ GR CG 350°	20	47	14	110	70	3.79
6205 BHTS ZZ GR CG 350°	25	52	15	130	65	4.62
6206 BHTS ZZ GR CG 350°	30	62	16	200	60	6.48
6207 BHTS ZZ GR CG 350°	35	72	17	290	55	8.50
6208 BHTS ZZ GR CG 350°	40	80	18	370	50	10.40
6209 BHTS ZZ GR CG 350°	45	85	19	410	45	11.79
6210 BHTS ZZ GR CG 350°	50	90	20	460	40	13.86
6211 BHTS ZZ GR CG 350°	55	100	21	610	40	16.90
6212 BHTS ZZ GR CG 350°	62	110	22	780	40	20.81
6213 BHTS ZZ GR CG 350°	65	120	23	990	40	23.99
6214 BHTS ZZ GR CG 350°	70	125	24	1040	40	25.43
6215 BHTS ZZ GR CG 350°	75	130	25	1210	40	28.32

Static load and max speed are calculated for the maximum temperature of application we supply this technical information only for help customer in the choice. Due the extremely difference in the condition of application. We suggest to the customer to contact our engineering service and made pratical test for check in the real condition the pratical working.

Ball bearing for high temperature BHTS ZZ GR CG 350° (6300 Séries)

MAX TEMP CELSIUS 350° C
MAX TEMP FAHRENHEIT 662° F

SUGGESTED RANGE 270/350° C
SUGGESTED RANGE 520/662° F



Designation	Bore (B)	Diam (D)	Widht (W)	Weight g	Speed RPM/min (*)	Static Load, kN
6300 BHTS ZZ GR CG 350°	10	35	11	52	90	1.99
6301 BHTS ZZ GR CG 350°	12	37	12	60	85	2.40
6302 BHTS ZZ GR CG 350°	15	42	13	80	80	3.12
6303 BHTS ZZ GR CG 350°	17	47	14	120	75	3.79
6304 BHTS ZZ GR CG 350°	20	52	15	140	70	4.91
6305 BHTS ZZ GR CG 350°	25	62	17	225	65	6.59
6306 BHTS ZZ GR CG 350°	30	72	19	350	60	9.35
6307 BHTS ZZ GR CG 350°	35	80	21	450	55	10.98
6308 BHTS ZZ GR CG 350°	40	90	23	620	50	14.45
6309 BHTS ZZ GR CG 350°	45	100	25	830	45	18.50
6310 BHTS ZZ GR CG 350°	50	110	27	1050	40	21.25
6311 BHTS ZZ GR CG 350°	55	120	29	1350	40	27.46
6312 BHTS ZZ GR CG 350°	60	130	31	1700	40	30.06
6313 BHTS ZZ GR CG 350°	65	140	33	2100	40	34.68
6314 BHTS ZZ GR CG 350°	70	150	35	2500	40	39.10
6315 BHTS ZZ GR CG 350°	75	160	37	3000	40	44.20

Static load and max speed are calculated for the maximum temperature of application we supply this technical information only for help customer in the choice. Due the extremely difference in the condition of application. We suggest to the customer to contact our engineering service and made pratical test for check in the real condition the pratical working.

Ball bearing for high temperature

BHTS ZZ GR CG 350°

or Extreme Temperature Bearings ?

The GR CG BHTS ZZ 350° ball bearings are designed on the dimensions of a standard bearing but with treatments of stabilisation, surface treatment, radial clearance and a special cage made of graphite, which make them suitable for operation from -50 ° to +350°. Their recommended range of application is only between 280 ° and 350°. The main feature of these bearings is to work in total absence of any kind of grease because the lubrication is directly from the graphite cage, which makes them "green" through lack of operating any type of issue could harm environment.

Technical characteristics:

Material Steel AISI 52100 (Chrome) stabilized to the application
Treatment of manganese phosphate coating on all steel parts
Radial x4 C5
Lamination Steel type ZZ
In one piece graphite cage

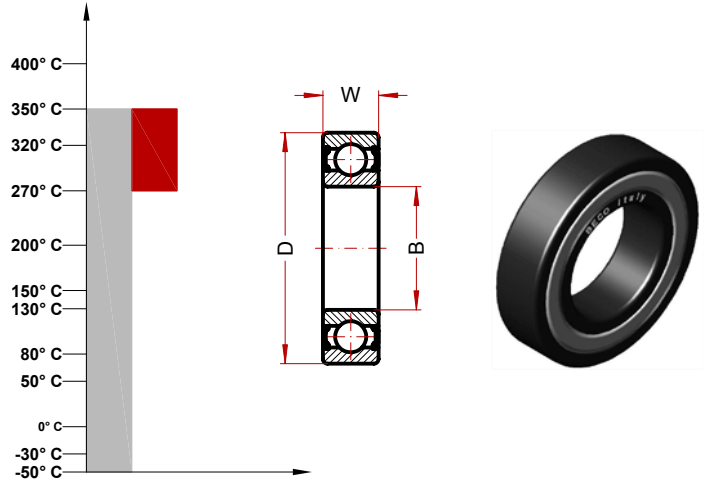
Fields of application:

Paint Ovens
Steel Industry
Furnaces for Ceramic Industry
Trolley Industry Brick Kilns

Ball bearing for high temperature BHTS ZZ GR CG 350° (6000 Serie)

MAX TEMP CELSIUS 350° C
MAX TEMP FAHRENHEIT 662° F

SUGGESTED RANGE 270-350° C
SUGGESTED RANGE 520-662° F



Designation	Bore (B)	Diam (D)	Widht (W)	Weight g	Speed RPM/min (*)	Static Load kN
6000 BHTS ZZ GR CG 350°	10	26	8	20	90	1.14
6001 BHTS ZZ GR CG 350°	12	28	8	25	85	1.37
6002 BHTS ZZ GR CG 350°	15	32	9	30	80	1.65
6003 BHTS ZZ GR CG 350°	17	35	10	40	75	1.88
6004 BHTS ZZ GR CG 350°	20	42	12	69	70	2.89
6005 BHTS ZZ GR CG 350°	25	47	12	80	65	3.38
6006 BHTS ZZ GR CG 350°	30	55	13	120	60	4.62
6007 BHTS ZZ GR CG 350°	35	62	14	160	55	6.01
6008 BHTS ZZ GR CG 350°	40	68	15	190	50	6.80
6009 BHTS ZZ GR CG 350°	45	75	16	250	45	8.27
6010 BHTS ZZ GR CG 350°	50	80	16	260	40	9.02
6011 BHTS ZZ GR CG 350°	55	90	18	390	40	12.26
6012 BHTS ZZ GR CG 350°	60	95	18	420	40	13.43
6013 BHTS ZZ GR CG 350°	65	100	18	440	40	14.45
6014 BHTS ZZ GR CG 350°	70	110	20	600	40	18.21
6015 BHTS ZZ GR CG 350°	75	115	20	640	40	19.65

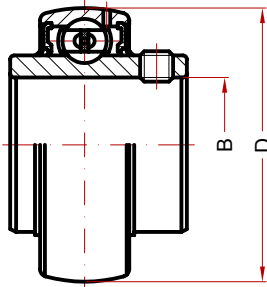
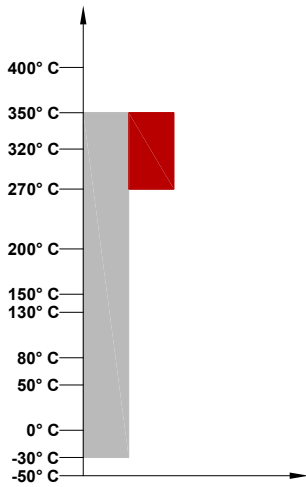
Static load and max speed are calculated for the maximum temperature of application we supply this technical information only for help customer in the choice. Due the extremely difference in the condition of application. We suggest to the customer to contact our engineering service and made pratical test for check in the real condition the pratical working.

Ball bearing for high temperature

BHTS ZZ GR CG 350° (UC Serie)

MAX TEMP CELSIUS 350° C
MAX TEMP FAHRENHEIT 662° F

SUGGESTED RANGE 270-350° C
SUGGESTED RANGE 520-662° F



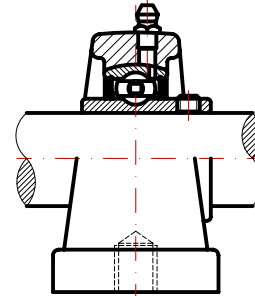
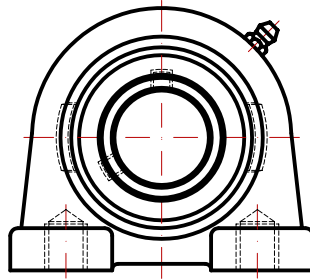
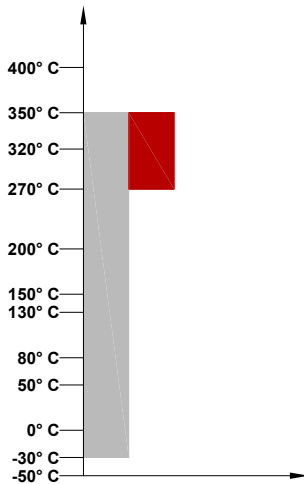
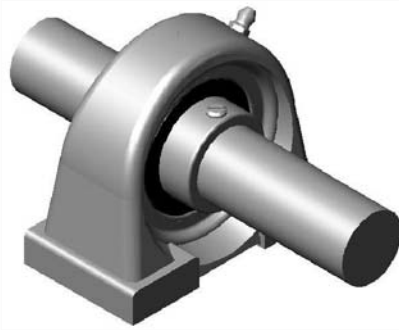
Designation	Bore (B)	Diam (D)	Speed RPM/min (*)
UC 201 BHTS ZZ GR CG 350°	12	40	85
UC 202 BHTS ZZ GR CG 350°	15	40	80
UC 203 BHTS ZZ GR CG 350°	17	40	75
UC 204 BHTS ZZ GR CG 350°	20	47	70
UC 205 BHTS ZZ GR CG 350°	25	52	65
UC 206 BHTS ZZ GR CG 350°	30	62	60
UC 207 BHTS ZZ GR CG 350°	35	72	55
UC 208 BHTS ZZ GR CG 350°	40	80	50
UC 209 BHTS ZZ GR CG 350°	45	85	45
UC 210 BHTS ZZ GR CG 350°	50	90	40
UC 211 BHTS ZZ GR CG 350°	55	100	40
UC 212 BHTS ZZ GR CG 350°	60	110	40
UC 213 BHTS ZZ GR CG 350°	65	120	40
UC 214 BHTS ZZ GR CG 350°	70	125	40
UC 215 BHTS ZZ GR CG 350°	75	130	40

Static load and max speed are calculated for the maximum temperature of application we supply this technical information only for help customer in the choice. Due the extremely difference in the condition of application. We suggest to the customer to contact our engineering service and made pratical test for check in the real condition the pratical working.

Ball bearing for high temperature BHTS ZZ GR CG 350° (UCPA Serie)

MAX TEMP CELSIUS 350° C
MAX TEMP FAHRENHEIT 662° F

SUGGESTED RANGE 270-350° C
SUGGESTED RANGE 520-662° F



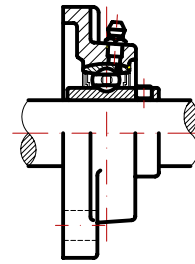
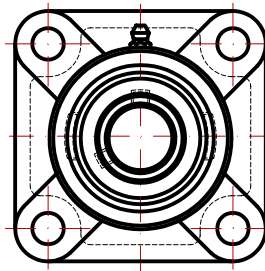
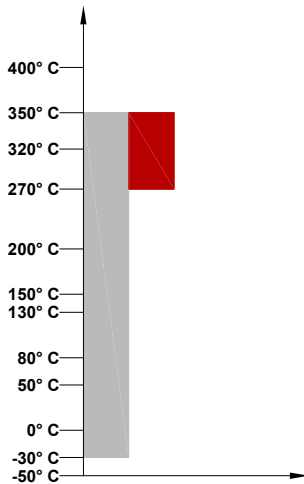
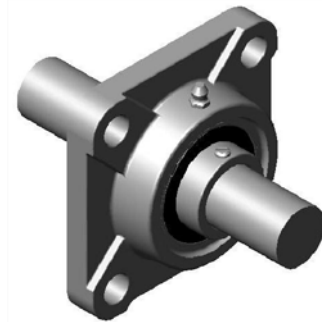
Unit code	Bearing code	Housing code
UCPA 201 BHTS ZZ GR CG 350°	UC 201 BHTS ZZ GR CG 350°	SS PA 201
UCPA 202 BHTS ZZ GR CG 350°	UC 202 BHTS ZZ GR CG 350°	SS PA 202
UCPA 203 BHTS ZZ GR CG 350°	UC 203 BHTS ZZ GR CG 350°	SS PA 203
UCPA 204 BHTS ZZ GR CG 350°	UC 204 BHTS ZZ GR CG 350°	SS PA 204
UCPA 205 BHTS ZZ GR CG 350°	UC 205 BHTS ZZ GR CG 350°	SS PA 205
UCPA 206 BHTS ZZ GR CG 350°	UC 206 BHTS ZZ GR CG 350°	SS PA 206
UCPA 207 BHTS ZZ GR CG 350°	UC 207 BHTS ZZ GR CG 350°	SS PA 207
UCPA 208 BHTS ZZ GR CG 350°	UC 208 BHTS ZZ GR CG 350°	SS PA 208
UCPA 209 BHTS ZZ GR CG 350°	UC 209 BHTS ZZ GR CG 350°	SS PA 209
UCPA 210 BHTS ZZ GR CG 350°	UC 210 BHTS ZZ GR CG 350°	SS PA 210
UCPA 211 BHTS ZZ GR CG 350°	UC 211 BHTS ZZ GR CG 350°	SS PA 211
UCPA 212 BHTS ZZ GR CG 350°	UC 212 BHTS ZZ GR CG 350°	SS PA 212
UCPA 213 BHTS ZZ GR CG 350°	UC 213 BHTS ZZ GR CG 350°	SS PA 213
UCPA 214 BHTS ZZ GR CG 350°	UC 214 BHTS ZZ GR CG 350°	SS PA 214
UCPA 215 BHTS ZZ GR CG 350°	UC 215 BHTS ZZ GR CG 350°	SS PA 215

Static load and max speed are calculated for the maximum temperature of application we supply this technical information only for help customer in the choice. Due the extremely difference in the condition of application. We suggest to the customer to contact our engineering service and made practical test for check in the real condition the practical working.

Ball bearing for high temperature BHTS ZZ GR CG 350° (UCF Serie)

MAX TEMP CELSIUS 350° C
MAX TEMP FAHRENHEIT 662° F

SUGGESTED RANGE 270-350° C
SUGGESTED RANGE 520-662° F



Unit code	Bearing code	Housing code
UCF 201 BHTS ZZ GR CG 350°	UC 201 BHTS ZZ GR CG 350°	SS F 201
UCF 202 BHTS ZZ GR CG 350°	UC 202 BHTS ZZ GR CG 350°	SS F 202
UCF 203 BHTS ZZ GR CG 350°	UC 203 BHTS ZZ GR CG 350°	SS F 203
UCF 204 BHTS ZZ GR CG 350°	UC 204 BHTS ZZ GR CG 350°	SS F 204
UCF 205 BHTS ZZ GR CG 350°	UC 205 BHTS ZZ GR CG 350°	SS F 205
UCF 206 BHTS ZZ GR CG 350°	UC 206 BHTS ZZ GR CG 350°	SS F 206
UCF 207 BHTS ZZ GR CG 350°	UC 207 BHTS ZZ GR CG 350°	SS F 207
UCF 208 BHTS ZZ GR CG 350°	UC 208 BHTS ZZ GR CG 350°	SS F 208
UCF 209 BHTS ZZ GR CG 350°	UC 209 BHTS ZZ GR CG 350°	SS F 209
UCF 210 BHTS ZZ GR CG 350°	UC 210 BHTS ZZ GR CG 350°	SS F 210
UCF 211 BHTS ZZ GR CG 350°	UC 211 BHTS ZZ GR CG 350°	SS F 211
UCF 212 BHTS ZZ GR CG 350°	UC 212 BHTS ZZ GR CG 350°	SS F 212
UCF 213 BHTS ZZ GR CG 350°	UC 213 BHTS ZZ GR CG 350°	SS F 213
UCF 214 BHTS ZZ GR CG 350°	UC 214 BHTS ZZ GR CG 350°	SS F 214
UCF 215 BHTS ZZ GR CG 350°	UC 215 BHTS ZZ GR CG 350°	SS F 215

Static load and max speed are calculated for the maximum temperature of application we supply this technical information only for help customer in the choice. Due the extremely difference in the condition of application. We suggest to the customer to contact our engineering service and made pratical test for check in the real condition the pratical working.

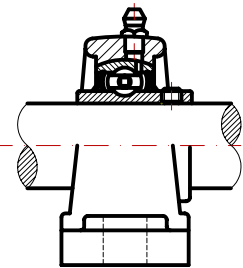
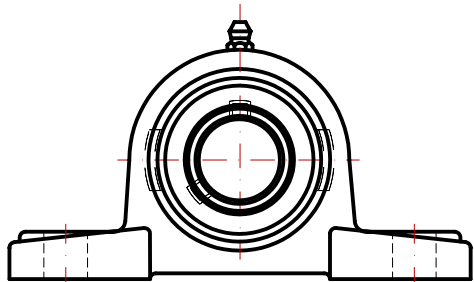
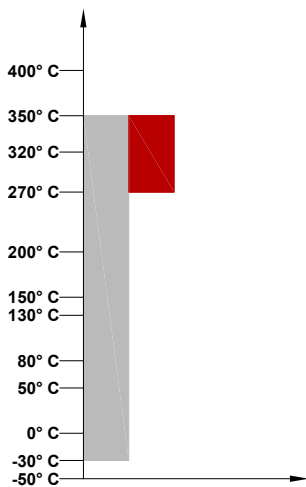
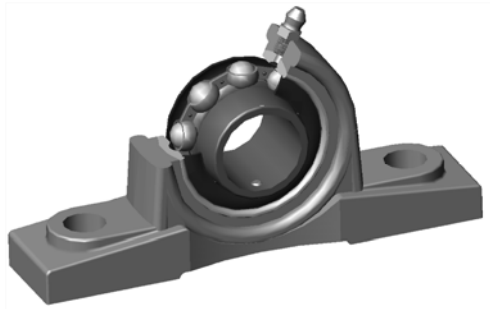
BECO Italy

Ball bearing for high temperature

BHTS ZZ CG 350° (UCP Serie)

MAX TEMP CELSIUS 350° C
 MAX TEMP FAHRENHEIT 662° F

SUGGESTED RANGE 270-350° C
 SUGGESTED RANGE 520-662° F



Unit code	Bearing code	Housing code
UCP 201 BHTS ZZ GR CG 350°	UC 201 BHTS ZZ GR CG 350°	SS P 201
UCP 202 BHTS ZZ GR CG 350°	UC 202 BHTS ZZ GR CG 350°	SS P 202
UCP 203 BHTS ZZ GR CG 350°	UC 203 BHTS ZZ GR CG 350°	SS P 203
UCP 204 BHTS ZZ GR CG 350°	UC 204 BHTS ZZ GR CG 350°	SS P 204
UCP 205 BHTS ZZ GR CG 350°	UC 205 BHTS ZZ GR CG 350°	SS P 205
UCP 206 BHTS ZZ GR CG 350°	UC 206 BHTS ZZ GR CG 350°	SS P 206
UCP 207 BHTS ZZ GR CG 350°	UC 207 BHTS ZZ GR CG 350°	SS P 207
UCP 208 BHTS ZZ GR CG 350°	UC 208 BHTS ZZ GR CG 350°	SS P 208
UCP 209 BHTS ZZ GR CG 350°	UC 209 BHTS ZZ GR CG 350°	SS P 209
UCP 210 BHTS ZZ GR CG 350°	UC 210 BHTS ZZ GR CG 350°	SS P 210
UCP 211 BHTS ZZ GR CG 350°	UC 211 BHTS ZZ GR CG 350°	SS P 211
UCP 212 BHTS ZZ GR CG 350°	UC 212 BHTS ZZ GR CG 350°	SS P 212
UCP 213 BHTS ZZ GR CG 350°	UC 213 BHTS ZZ GR CG 350°	SS P 213
UCP 214 BHTS ZZ GR CG 350°	UC 214 BHTS ZZ GR CG 350°	SS P 214
UCP 215 BHTS ZZ GR CG 350°	UC 215 BHTS ZZ GR CG 350°	SS P 215

Static load and max speed are calculated for the maximum temperature of application we supply this technical information only for help customer in the choice. Due the extremely difference in the condition of application. We suggest to the customer to contact our engineering service and made pratical test for check in the real condition the pratical working.

Ball bearing for high temperature

BHT FB 400°

The BHT FB 400° bearings are designed on the dimensions of a standard bearing but with treatments of stabilisation, surface treatment, radial clearance and full ball fitting that make them suitable for operation from -30° to +400°. Their recommended range of application is between 280° and 400°. The BHT FB 400° are open bearings and require occasional, additional lubrication with an oil for high temperatures. The unique design allows, through a precision lateral milling, the complete full ball fitting of the bearing. This technical solution avoids the use of steel cage that is normally the weak element of the bearing in the application of high temperatures. The greatest number of spheres within the bearing allows for an increase of load capacity, especially in high temperature but limits the use at low speed. This product has been produced for over 20 years allowing exceptional performance in terms of durability in applications more demanding. In particular it's application is recommended where frequent changes are present in the direction of rotation of the bearing and with irregular loads.

Technical characteristics:

Material Steel AISI 52100 (Chrome) stabilized to the application
Treatment of manganese phosphate coating on all steel parts
Radial x4 C5

Fields of application:

Paint Ovens
Steel Industry
Furnaces for Ceramic Industry
Trolley Industry Brick Kilns

Ball bearing for high temperature

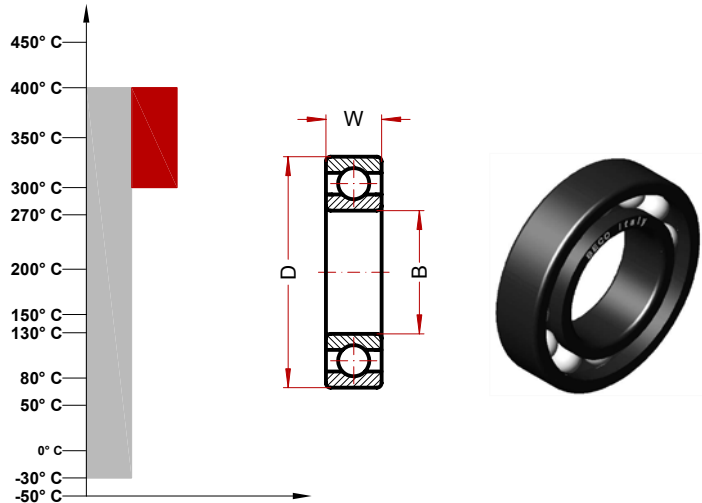
BHT FB 400° (6000 Serie)

MAX TEMP CELSIUS 400° C

MAX TEMP FAHRENHEIT 752° F

SUGGESTED RANGE 300°-400° C

SUGGESTED RANGE 572°-752° F



Designation	Bore (B)	Diam (D)	Widht (W)	Weight g	Speed RPM/min (*)	Static Load kN
6000 BHT FB 400°	10	26	8	20	90	1.14
6001 BHT FB 400°	12	28	8	25	85	1.37
6002 BHT FB 400°	15	32	9	30	80	1.65
6003 BHT FB 400°	17	35	10	40	75	1.88
6004 BHT FB 400°	20	42	12	69	70	2.89
6005 BHT FB 400°	25	47	12	80	65	3.38
6006 BHT FB 400°	30	55	13	120	60	4.62
6007 BHT FB 400°	35	62	14	160	55	6.01
6008 BHT FB 400°	40	68	15	190	50	6.80
6009 BHT FB 400°	45	75	16	250	45	8.27
6010 BHT FB 400°	50	80	16	260	40	9.02
6011 BHT FB 400°	55	90	18	390	40	12.26
6012 BHT FB 400°	60	95	18	420	40	13.43
6013 BHT FB 400°	65	100	18	440	40	14.45
6014 BHT FB 400°	70	110	20	600	40	18.21
6015 BHT FB 400°	75	115	20	640	40	19.65

Static load and max speed are calculated for the maximum temperature of application we supply this technical information only for help customer in the choice. Due the extremely difference in the condition of application. We suggest to the customer to contact our engineering service and made pratical test for check in the real condition the pratical working.

Ball bearing for high temperature

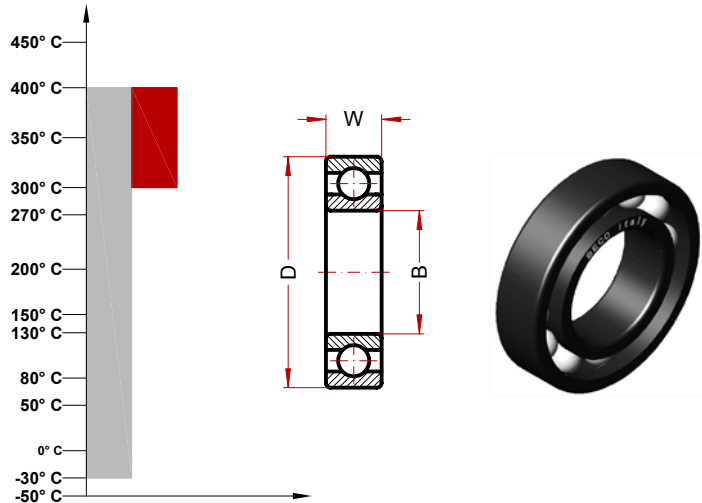
BHT FB 400° (6200 Serie)

MAX TEMP CELSIUS 400° C

MAX TEMP FAHRENHEIT 752° F

SUGGESTED RANGE 300°-400° C

SUGGESTED RANGE 572°-752° F



Designation	Bore (B)	Diam (D)	Width (W)	Weight g	Speed RPM/min (*)	Static Load kN
6200 BHT FB 400°	10	30	9	30	90	1.50
6201 BHT FB 400°	12	32	10	37	85	1.79
6202 BHT FB 400°	15	35	11	45	80	2.17
6203 BHT FB 400°	17	40	12	65	75	2.75
6204 BHT FB 400°	20	47	14	110	70	3.79
6205 BHT FB 400°	25	52	15	130	65	4.62
6206 BHT FB 400°	30	62	16	200	60	6.48
6207 BHT FB 400°	35	72	17	290	55	8.50
6208 BHT FB 400°	40	80	18	370	50	10.40
6209 BHT FB 400°	45	85	19	410	45	11.79
6210 BHT FB 400°	50	90	20	460	40	13.86
6211 BHT FB 400°	55	100	21	610	40	16.90
6212 BHT FB 400°	62	110	22	780	40	20.81
6213 BHT FB 400°	65	120	23	990	40	23.99
6214 BHT FB 400°	70	125	24	1040	40	25.43
6215 BHT FB 400°	75	130	25	1210	40	28.32

Static load and max speed are calculated for the maximum temperature of application we supply this technical information only for help customer in the choice. Due the extremely difference in the condition of application. We suggest to the customer to contact our engineering service and made practical test for check in the real condition the practical working.

Ball bearing for high temperature

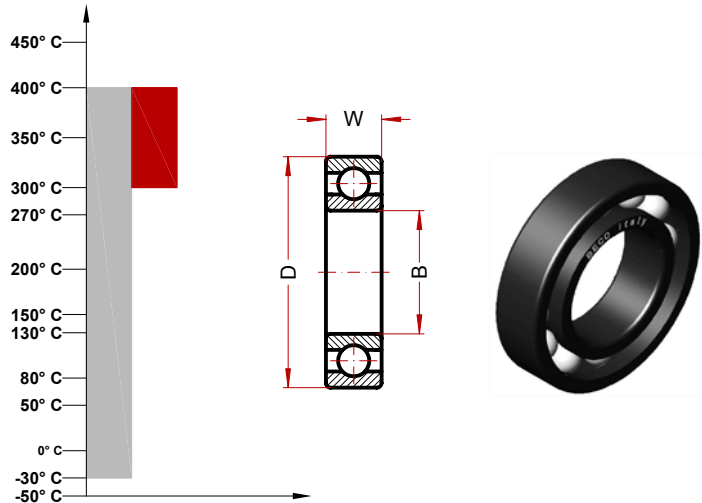
BHT FB 400° (6300 Serie)

MAX TEMP CELSIUS 400° C

MAX TEMP FAHRENHEIT 752° F

SUGGESTED RANGE 300°-400° C

SUGGESTED RANGE 572°-752° F



Designation	Bore (B)	Diam (D)	Widht (W)	Weight g	Speed RPM/min (*)	Static Load kN
6300 BHT FB 400°	10	35	11	52	90	1.99
6301 BHT FB 400°	12	37	12	60	85	2.40
6302 BHT FB 400°	15	42	13	80	80	3.12
6303 BHT FB 400°	17	47	14	120	75	3.79
6304 BHT FB 400°	20	52	15	140	70	4.91
6305 BHT FB 400°	25	62	17	225	65	6.59
6306 BHT FB 400°	30	72	19	350	60	9.35
6307 BHT FB 400°	35	80	21	450	55	10.98
6308 BHT FB 400°	40	90	23	620	50	14.45
6309 BHT FB 400°	45	100	25	830	45	18.50
6310 BHT FB 400°	50	110	27	1050	40	21.25
6311 BHT FB 400°	55	120	29	1350	40	27.46
6312 BHT FB 400°	60	130	31	1700	40	30.06
6313 BHT FB 400°	65	140	33	2100	40	34.68
6314 BHT FB 400°	70	150	35	2500	40	39.10
6315 BHT FB 400°	75	160	37	3000	40	44.20

Static load and max speed are calculated for the maximum temperature of application we supply this technical information only for help customer in the choice. Due the extremely difference in the condition of application. We suggest to the customer to contact our engineering service and made pratical test for check in the real condition the pratical working.

Ball bearings for low temperature

BLS ZZ -50°

The BLS ZZ -50° bearings are developed based on the structure of a standard bearing but with appropriate treatments of stabilisation, radial clearance, grease and ZZ shields that make them suitable for operation from -50° to +130°. Their application range is extremely wide and covers many areas; in particular, the BLS ZZ -50° allow an exceptional range of safety in all applications where they can also occur temporarily and for reasons not dependant on the will of the design, temperatures particularly low.

Technical characteristics:

Material Steel AISI 52100 (Chrome) stabilized to the application
Radial C4 (H)
Lamination Steel type ZZ
Greasing with grease for temperatures down to -50°

Fields of application:

Installations for the production of gas
Equipment for refrigeration rooms
Facilities for ski resorts
Special vehicles for artic use

Ball bearings for low temperature

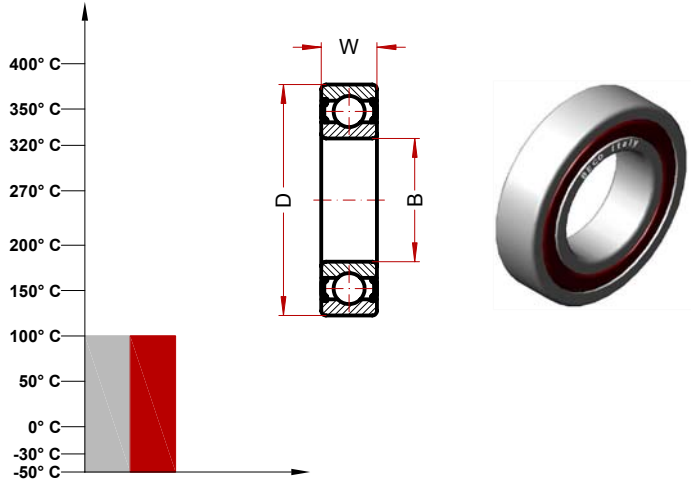
BLS ZZ -50° (6000 Serie)

MAX TEMP CELSIUS 100° C

MAX TEMP FAHRENHEIT 212° F

SUGGESTED RANGE -50°-100° C

SUGGESTED RANGE -58°-212° F



Designation	Bore (B)	Diam (D)	Widht (W)	Weight g	Speed RPM/min (*)	Static Load kN
6000 BLS ZZ -50°	10	26	8	20	6000	1.76
6001 BLS ZZ -50°	12	28	8	25	5800	2.1
6002 BLS ZZ -50°	15	32	9	30	5600	2.5
6003 BLS ZZ -50°	17	35	10	40	5400	2.9
6004 BLS ZZ -50°	20	42	12	69	5200	4.5
6005 BLS ZZ -50°	25	47	12	80	4800	5.2
6006 BLS ZZ -50°	30	55	13	120	4400	7.2
6007 BLS ZZ -50°	35	62	14	160	4000	9.3
6008 BLS ZZ -50°	40	68	15	190	3600	10.6
6009 BLS ZZ -50°	45	75	16	250	3200	12.8
6010 BLS ZZ -50°	50	80	16	260	2800	14
6011 BLS ZZ -50°	55	90	18	390	2400	19
6012 BLS ZZ -50°	60	95	18	420	2000	20.8
6013 BLS ZZ -50°	65	100	18	440	1800	22.5
6014 BLS ZZ -50°	70	110	20	600	1600	28.3
6015 BLS ZZ -50°	75	115	20	640	1400	30.6
6016 BLS ZZ -50°	80	125	22	850	1200	36
6017 BLS ZZ -50°	85	130	22	890	1000	38.7
6018 BLS ZZ -50°	90	140	24	1150	900	45
6019 BLS ZZ -50°	95	145	24	1200	800	48.6
6020 BLS ZZ -50°	100	150	24	1250	700	48.6

Static load and max speed are calculated for the maximum temperature of application we supply this technical information only for help customer in the choice. Due the extremely difference in the condition of application. We suggest to the customer to contact our engineering service and made pratical test for check in the real condition the pratical working.

Ball bearings for low temperature

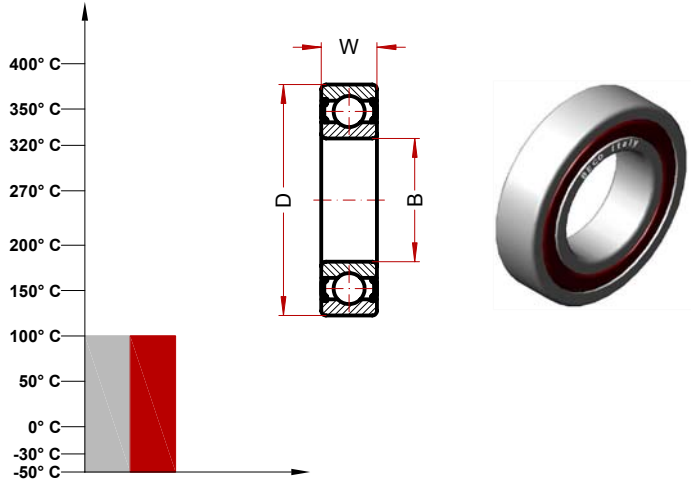
BLS ZZ -50° (6200 Serie)

MAX TEMP CELSIUS 100° C

MAX TEMP FAHRENHEIT 212° F

SUGGESTED RANGE -50°-100° C

SUGGESTED RANGE -58°-212° F



Designation	Bore (B)	Diam (D)	Widht (W)	Weight g	Speed RPM/min (*)	Static Load kN
6200 BLS ZZ -50°	10	30	9	30	5800	2.3
6201 BLS ZZ -50°	12	32	10	37	5600	2.8
6202 BLS ZZ -50°	15	35	11	45	5400	3.3
6203 BLS ZZ -50°	17	40	12	65	5200	4.2
6204 BLS ZZ -50°	20	47	14	110	4800	5.9
6205 BLS ZZ -50°	25	52	15	130	4400	7.2
6206 BLS ZZ -50°	30	62	16	200	4000	10
6207 BLS ZZ -50°	35	72	17	290	3600	13.7
6208 BLS ZZ -50°	40	80	18	370	3200	16.2
6209 BLS ZZ -50°	45	85	19	410	2800	18.3
6210 BLS ZZ -50°	50	90	20	460	2400	21.6
6211 BLS ZZ -50°	55	100	21	610	2000	26.1
6212 BLS ZZ -50°	62	110	22	780	1800	32.4
6213 BLS ZZ -50°	65	120	23	990	1600	37.3
6214 BLS ZZ -50°	70	125	24	1040	1400	39.6
6215 BLS ZZ -50°	75	130	25	1210	1200	44.1
6216 BLS ZZ -50°	80	140	26	1400	1000	49.5
6217 BLS ZZ -50°	85	150	28	1800	900	57.6
6218 BLS ZZ -50°	90	160	30	2150	800	66.1
6219 BLS ZZ -50°	95	170	32	2600	700	73.3
6220 BLS ZZ -50°	100	180	34	3150	600	83.7

Static load and max speed are calculated for the maximum temperature of application we supply this technical information only for help customer in the choice. Due the extremely difference in the condition of application. We suggest to the customer to contact our engineering service and made pratical test for check in the real condition the pratical working.

Ball bearings for low temperature

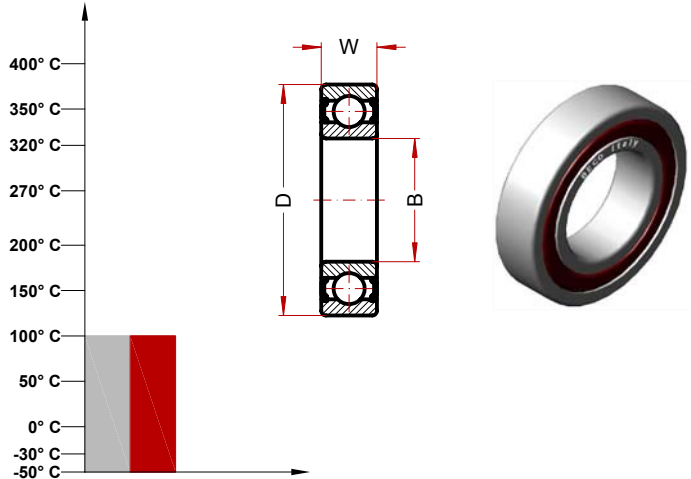
BLS ZZ -50° (6300 Serie)

MAX TEMP CELSIUS 100° C

MAX TEMP FAHRENHEIT 212° F

SUGGESTED RANGE -50°-100° C

SUGGESTED RANGE -58°-212° F



Designation	Bore (B)	Diam (D)	Widht (W)	Weight g	Speed RPM/min (*)	Static Load kN
6300 BLS ZZ -50°	10	35	11	52	5600	3.1
6301 BLS ZZ -50°	12	37	12	60	5400	3.7
6302 BLS ZZ -50°	15	42	13	80	5200	4.8
6303 BLS ZZ -50°	17	47	14	120	4800	5.8
6304 BLS ZZ -50°	20	52	15	140	4400	7.6
6305 BLS ZZ -50°	25	62	17	225	4000	10.2
6306 BLS ZZ -50°	30	72	19	350	3600	14.6
6307 BLS ZZ -50°	35	80	21	450	3200	17.1
6308 BLS ZZ -50°	40	90	23	620	2800	22.5
6309 BLS ZZ -50°	45	100	25	830	2400	28.8
6310 BLS ZZ -50°	50	110	27	1050	2000	34.2
6311 BLS ZZ -50°	55	120	29	1350	1800	42.7
6312 BLS ZZ -50°	60	130	31	1700	1600	46.8
6313 BLS ZZ -50°	65	140	33	2100	1400	54
6314 BLS ZZ -50°	70	150	35	2500	1200	61.2
6315 BLS ZZ -50°	75	160	37	3000	1000	68.8
6316 BLS ZZ -50°	80	170	39	3600	900	77.8
6317 BLS ZZ -50°	85	180	41	4250	800	86.8
6318 BLS ZZ -50°	90	190	43	4900	700	97.2
6319 BLS ZZ -50°	95	200	45	5650	600	106.2
6320 BLS ZZ -50°	100	215	47	7000	500	126

Static load and max speed are calculated for the maximum temperature of application we supply this technical information only for help customer in the choice. Due the extremely difference in the condition of application. We suggest to the customer to contact our engineering service and made pratical test for check in the real condition the pratical working.

Ball bearings in stainless steel (non magnetic)

BSS 316



BSS 316 ZZ



BSS 2RS



BSS ZZ



Ball bearings in stainless steel (non magnetic)

BSS 316

The BSS 316 bearings are made of stainless steel AISI 316 for all the rotational parts and AISI 304 for the protection and the cage. The construction in AISI 316 guarantees excellent performance in applications such as, in the presence of extremely aggressive acids, salts, sea water, etc. It is recommended, in the engineering stage, to carefully check the load characteristics listed in the catalogue as the AISI 316 bearings are without heat treatment, thereby providing a high resistance against oxidation but a limited capacity load. The BSS 316 are completely non-magnetic and therefore usable in application where this feature is required.

Technical characteristics:

Material Stainless steel AISI 316
Radial C3
Open type
Grease: The bearings are supplied greased

Fields of application:

Air conveyors for food processing plants
Tissue finishing plants
Ship building industry

Ball bearings in stainless steel (non magnetic)

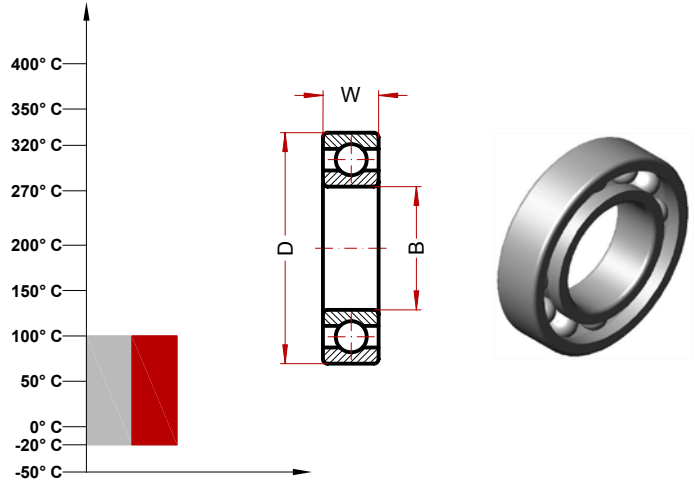
BSS 316 (6000 Serie)

MAX TEMP CELSIUS 100° C

MAX TEMP FAHRENHEIT 212° F

SUGGESTED RANGE -20°/100° C

SUGGESTED RANGE -4°/212° F



Designation	Bore (B)	Diam (D)	Widht (W)	Weight g	Speed RPM/min (*)	Static Load kN
6000 BSS 316	10	26	8	20	200	0.13
6001 BSS 316	12	28	8	25	190	0.16
6002 BSS 316	15	32	9	30	180	0.19
6003 BSS 316	17	35	10	40	170	0.22
6004 BSS 316	20	42	12	69	160	0.33
6005 BSS 316	25	47	12	80	150	0.39
6006 BSS 316	30	55	13	120	140	0.53
6007 BSS 316	35	62	14	160	130	0.69
6008 BSS 316	40	68	15	190	120	0.70
6009 BSS 316	45	75	16	250	110	0.72
6010 BSS 316	50	80	16	260	100	0.78
6011 BSS 316	55	90	18	390	90	1.06
6012 BSS 316	60	95	18	420	80	1.16
6013 BSS 316	65	100	18	440	70	1.25
6014 BSS 316	70	110	20	600	60	1.58
6015 BSS 316	75	115	20	640	50	1.70

Static load and max speed are calculated for the maximum temperature of application we supply this technical information only for help customer in the choice. Due the extremely difference in the condition of application. We suggest to the customer to contact our engineering service and made pratical test for check in the real condition the pratical working.

Ball bearings in stainless steel (non magnetic)

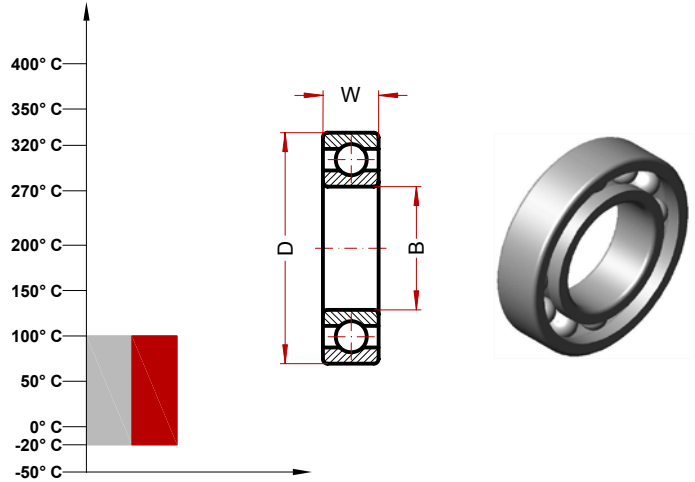
BSS 316 (6200 Serie)

MAX TEMP CELSIUS 100° C

MAX TEMP FAHRENHEIT 212° F

SUGGESTED RANGE -20°/100° C

SUGGESTED RANGE -4°/212° F



Designation	Bore (B)	Diam (D)	Widht (W)	Weight g	Speed RPM/min (*)	Static Load kN
6200 BSS 316	10	30	9	30	200	1.17
6201 BSS 316	12	32	10	37	190	0.21
6202 BSS 316	15	35	11	45	180	0.25
6203 BSS 316	17	40	12	65	170	0.32
6204 BSS 316	20	47	14	110	160	0.44
6205 BSS 316	25	52	15	130	150	0.53
6206 BSS 316	30	62	16	200	140	0.75
6207 BSS 316	35	72	17	290	130	0.77
6208 BSS 316	40	80	18	370	120	0.90
6209 BSS 316	45	85	19	410	110	1.02
6210 BSS 316	50	90	20	460	100	1.20
6211 BSS 316	55	100	21	610	90	1.45
6212 BSS 316	62	110	22	780	80	1.90
6213 BSS 316	65	120	23	990	70	2.08
6214 BSS 316	70	125	24	1040	60	2.20
6215 BSS 316	75	130	25	1210	50	2.45

Static load and max speed are calculated for the maximum temperature of application we supply this technical information only for help customer in the choice. Due the extremely difference in the condition of application. We suggest to the customer to contact our engineering service and made pratical test for check in the real condition the pratical working.

Ball bearings in stainless steel (non magnetic)

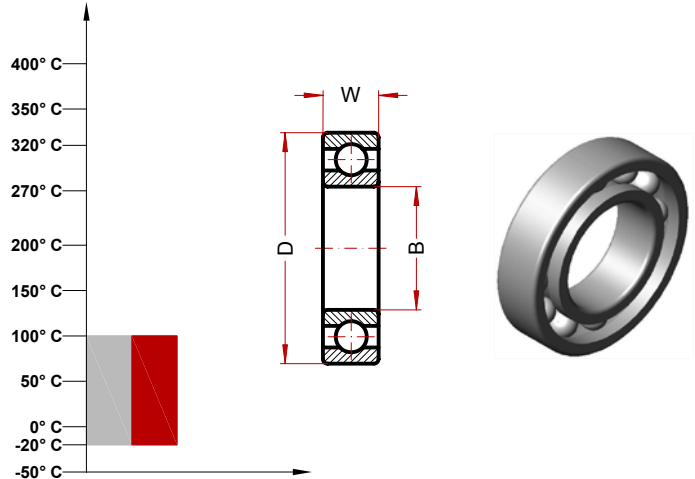
BSS 316 (6300 Serie)

MAX TEMP CELSIUS 100° C

MAX TEMP FAHRENHEIT 212° F

SUGGESTED RANGE -20°/100° C

SUGGESTED RANGE -4°/212° F



Designation	Bore (B)	Diam (D)	Widht (W)	Weight g	Speed RPM/min (*)	Static Load kN
6300 BSS 316	10	35	11	52	200	0.23
6301 BSS 316	12	37	12	60	190	0.28
6302 BSS 316	15	42	13	80	180	0.36
6303 BSS 316	17	47	14	120	170	0.44
6304 BSS 316	20	52	15	140	160	0.57
6305 BSS 316	25	62	17	225	150	0.76
6306 BSS 316	30	72	19	350	140	0.82
6307 BSS 316	35	80	21	450	130	0.95
6308 BSS 316	40	90	23	620	120	1.25
6309 BSS 316	45	100	25	830	110	1.60
6310 BSS 316	50	110	27	1050	100	1.90
6311 BSS 316	55	120	29	1350	90	2.38
6312 BSS 316	60	130	31	1700	80	2.60
6313 BSS 316	65	140	33	2100	70	3.00
6314 BSS 316	70	150	35	2500	60	3.40
6315 BSS 316	75	160	37	3000	50	3.83

Static load and max speed are calculated for the maximum temperature of application we supply this technical information only for help customer in the choice. Due the extremely difference in the condition of application. We suggest to the customer to contact our engineering service and made pratical test for check in the real condition the pratical working.

Ball bearings in stainless steel (non magnetic)

BSS 316 ZZ

The BSS 316 ZZ bearings are made of stainless steel AISI 316 for all the rotational parts and AISI 304 for the protection and the cage. The construction in AISI 316 guarantees excellent performance in applications such as, in the presence of extremely aggressive acids, salts, sea water, etc. It is recommended, in the engineering stage, to carefully check the load characteristics listed in the catalogue, as the AISI 316 bearings are without heat treatment, thereby providing a high resistance against oxidation but a limited capacity load. The BSS 316 ZZ are completely non-magnetic and therefore usable in application where this feature is required. The presence of ZZ protection and suitable grease allow for their direct use in applications without additional protection.

Technical characteristics:

Material Stainless Steel AISI 316
Radial C3
Stainless steel sheets type ZZ
Grease: The bearings are supplied greased (-30° to +130°)

Fields of application:

Air conveyors for food processing plants
Tissue finishing plants
Ship building industry

Ball bearings in stainless steel (non magnetic)

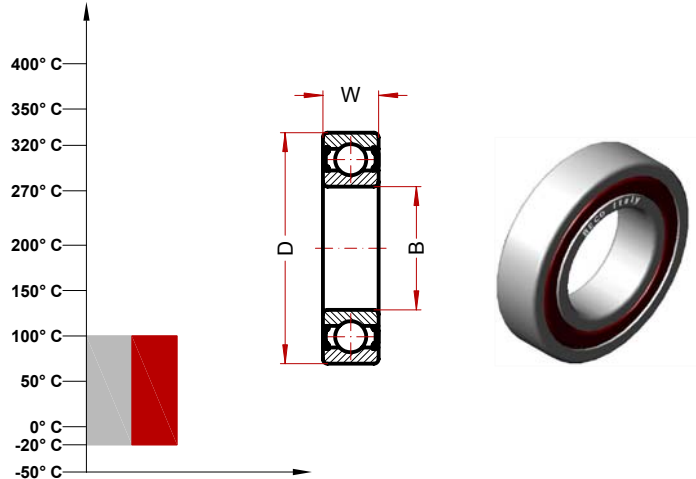
BSS 316 ZZ (6000 Serie)

MAX TEMP CELSIUS 100° C

MAX TEMP FAHRENHEIT 212° F

SUGGESTED RANGE -20°/100° C

SUGGESTED RANGE -4°/212° F



Designation	Bore (B)	Diam (D)	Widht (W)	Weight g	Speed RPM/min (*)	Static Load kN
6000 BSS 316 ZZ	10	26	8	20	200	0.13
6001 BSS 316 ZZ	12	28	8	25	190	0.16
6002 BSS 316 ZZ	15	32	9	30	180	0.19
6003 BSS 316 ZZ	17	35	10	40	170	0.22
6004 BSS 316 ZZ	20	42	12	69	160	0.33
6005 BSS 316 ZZ	25	47	12	80	150	0.39
6006 BSS 316 ZZ	30	55	13	120	140	0.53
6007 BSS 316 ZZ	35	62	14	160	130	0.69
6008 BSS 316 ZZ	40	68	15	190	120	0.70
6009 BSS 316 ZZ	45	75	16	250	110	0.72
6010 BSS 316 ZZ	50	80	16	260	100	0.78
6011 BSS 316 ZZ	55	90	18	390	90	1.06
6012 BSS 316 ZZ	60	95	18	420	80	1.16
6013 BSS 316 ZZ	65	100	18	440	70	1.25
6014 BSS 316 ZZ	70	110	20	600	60	1.58
6015 BSS 316 ZZ	75	115	20	640	50	1.70

Static load and max speed are calculated for the maximum temperature of application we supply this technical information only for help customer in the choice. Due the extremely difference in the condition of application. We suggest to the customer to contact our engineering service and made pratical test for check in the real condition the pratical working.

Ball bearings in stainless steel (non magnetic)

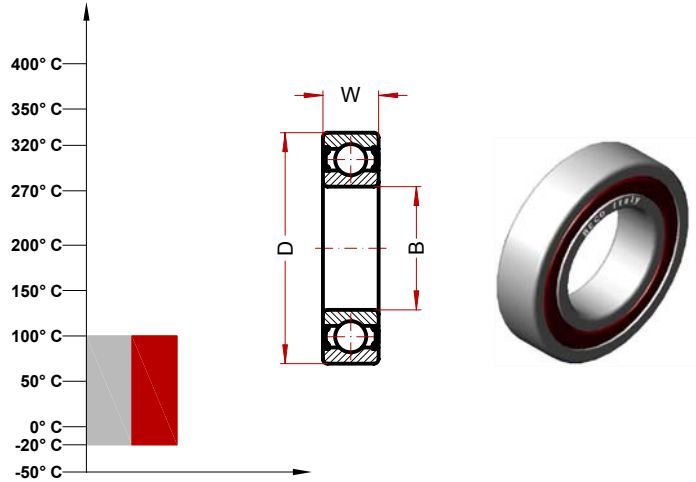
BSS 316 ZZ (6200 Serie)

MAX TEMP CELSIUS 100° C

MAX TEMP FAHRENHEIT 212° F

SUGGESTED RANGE -20°/100° C

SUGGESTED RANGE -4°/212° F



Designation	Bore (B)	Diam (D)	Widht (W)	Weight g	Speed RPM/min (*)	Static Load kN
6200 BSS 316 ZZ	10	30	9	30	200	0.17
6201 BSS 316 ZZ	12	32	10	37	190	0.21
6202 8SS 316 ZZ	15	35	11	45	180	0.25
6203 BSS 316 ZZ	17	40	12	65	170	0.32
6204 BSS 316 ZZ	20	47	14	110	160	0.44
6205 BSS 316 ZZ	25	52	15	130	150	0.53
6206 BSS 316 ZZ	30	62	16	200	140	0.75
6207 BSS 316 ZZ	35	72	17	290	130	0.77
6208 BSS 316 ZZ	40	80	18	370	120	0.90
6209 BSS 316 ZZ	45	85	19	410	110	1.02
6210 BSS 316 ZZ	50	90	20	460	100	1.20
6211 BSS 316 ZZ	55	100	21	610	90	1.45
6212 BSS 316 ZZ	62	110	22	780	80	1.90
6213 BSS 316 ZZ	65	120	23	990	70	2.08
6214 BSS 316 ZZ	70	125	24	1040	60	2.20
6215 BSS 316 ZZ	75	130	25	1210	50	2.45

Static load and max speed are calculated for the maximum temperature of application we supply this technical information only for help customer in the choice. Due the extremely difference in the condition of application. We suggest to the customer to contact our engineering service and made pratical test for check in the real condition the pratical working.

Ball bearings in stainless steel (non magnetic)

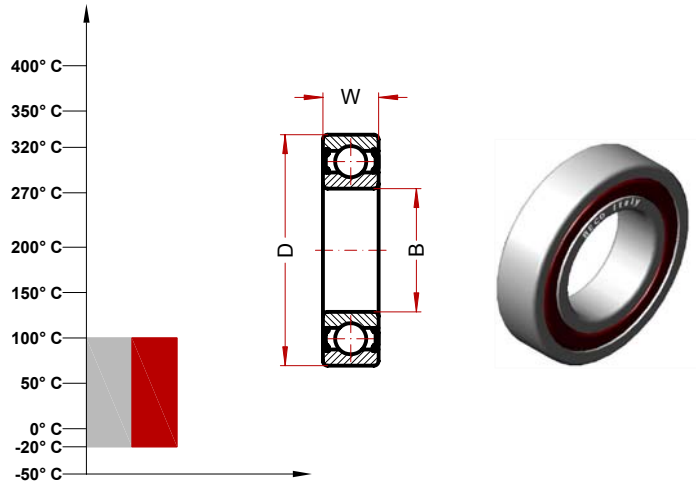
BSS 316 ZZ (6300 Serie)

MAX TEMP CELSIUS 100° C

MAX TEMP FAHRENHEIT 212° F

SUGGESTED RANGE -20°/100° C

SUGGESTED RANGE -4°/212° F



Designation	Bore (B)	Diam (D)	Widht (W)	Weight g	Speed RPM/min (*)	Static Load kN
6300 BSS 316 ZZ	10	35	11	52	200	0.23
6301 BSS 316 ZZ	12	37	12	60	190	0.28
6302 BSS 316 ZZ	15	42	13	80	180	0.36
6303 BSS 316 ZZ	17	47	14	120	170	0.44
6304 BSS 316 ZZ	20	52	15	140	160	0.57
6305 BSS 316 ZZ	25	62	17	225	150	0.76
6306 BSS 316 ZZ	30	72	19	350	140	0.82
6307 BSS 316 ZZ	35	80	21	450	130	0.95
6308 BSS 316 ZZ	40	90	23	620	120	1.25
6309 BSS 316 ZZ	45	100	25	830	110	1.60
6310 BSS 316 ZZ	50	110	27	1050	100	1.90
6311 BSS 316 ZZ	55	120	29	1350	90	2.38
6312 BSS 316 ZZ	60	130	31	1700	80	2.60
6313 BSS 316 ZZ	65	140	33	2100	70	3.00
6314 BSS 316 ZZ	70	150	35	2500	60	3.40
6315 BSS 316 ZZ	75	160	37	3000	50	3.83

Static load and max speed are calculated for the maximum temperature of application we supply this technical information only for help customer in the choice. Due the extremely difference in the condition of application. We suggest to the customer to contact our engineering service and made pratical test for check in the real condition the pratical working.

Ball bearings in stainless steel

BSS

The BSS bearings are made of stainless steel AISI 440C for all the rotational parts and AISI 304 for the protection and the cage. The construction in AISI 440C provides excellent results in applications mildly aggressive and is not recommended for use in the presence of acids, salts, sea water, etc. The BSS bearings have success in many applications especially in the presence of weather conditions, which is an excellent solution for the realisation of sliding glass doors outside.

Technical characteristics:

Material Stainless steel AISI 440C
Radial Standard
Open type
Grease: The bearings are supplied greased

Fields of application:

Air conveyors for food processing plants
Construction industry, windows, sliding windows, etc

Ball bearings in stainless steel

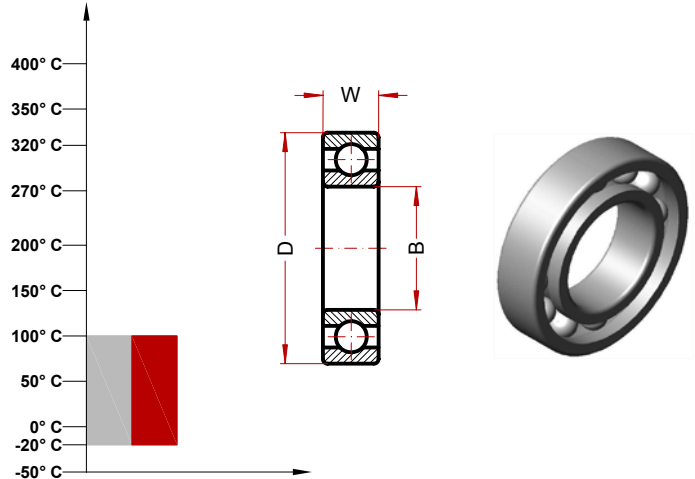
BSS (6000 Serie)

MAX TEMP CELSIUS 100° C

MAX TEMP FAHRENHEIT 212° F

SUGGESTED RANGE -20°/100° C

SUGGESTED RANGE -4°/212° F



Designation	Bore (B)	Diam (D)	Widht (W)	Weight g	Speed RPM/min (*)	Static Load kN
6000 BSS	10	26	8	20	19720	1.57
6001 BSS	12	28	8	25	16640	1.89
6002 BSS	15	32	9	30	15360	2.28
6003 BSS	17	35	10	40	14080	2.60
6004 BSS	20	42	12	69	12800	4
6005 BSS	25	47	12	80	10880	4.68
6006 BSS	30	55	13	120	8320	6.40
6007 BSS	35	62	14	160	7040	8.32
6008 BSS	40	68	15	190	6400	9.44
6009 BSS	45	75	16	250	5760	11.44
6010 BSS	50	80	16	260	5440	12.48
6011 BSS	55	90	18	390	4800	16.96
6012 BSS	60	95	18	420	4480	18.5
6013 BSS	65	100	18	440	4032	20
6014 BSS	70	110	20	600	3840	25.20
6015 BSS	75	115	20	640	3584	27.20

Static load and max speed are calculated for the maximum temperature of application we supply this technical information only for help customer in the choice. Due the extremely difference in the condition of application. We suggest to the customer to contact our engineering service and made pratical test for check in the real condition the pratical working.

Ball bearings in stainless steel

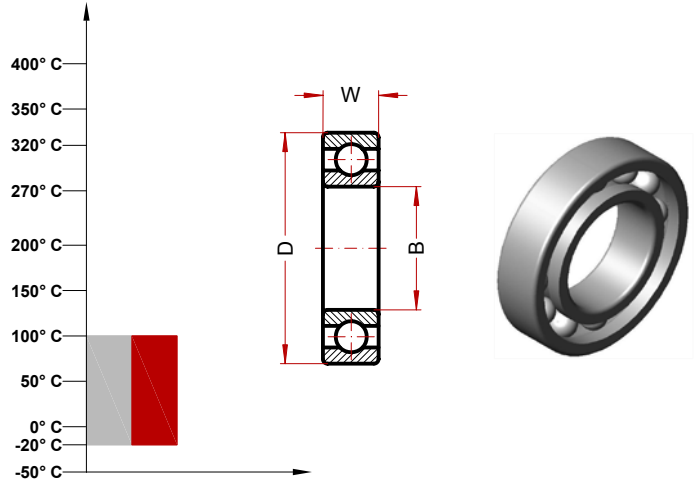
BSS (6200 Serie)

MAX TEMP CELSIUS 100° C

MAX TEMP FAHRENHEIT 212° F

SUGGESTED RANGE -20°/100° C

SUGGESTED RANGE -4°/212° F



Designation	Bore (B)	Diam (D)	Width (W)	Weight g	Speed RPM/min (*)	Static Load kN
6200 BSS	10	30	9	30	16640	2.08
6201 BSS	12	32	10	37	15360	2.48
6202 BSS	15	35	11	45	12800	3
6203 BSS	17	40	12	65	11520	3.80
6204 BSS	20	47	14	110	12000	5.24
6205 BSS	25	52	15	130	8960	6.40
6206 BSS	30	62	16	200	7040	8.96
6207 BSS	35	72	17	290	6080	12.24
6208 BSS	40	80	18	370	5440	14.40
6209 BSS	45	85	19	410	5120	16.32
6210 BSS	50	90	20	460	4800	19.20
6211 BSS	55	100	21	610	4288	23.20
6212 BSS	62	110	22	780	3840	28.80
6213 BSS	65	120	23	990	3392	33.20
6214 BSS	70	125	24	1040	3200	35.20
6215 BSS	75	130	25	1210	3072	39.20

Static load and max speed are calculated for the maximum temperature of application we supply this technical information only for help customer in the choice. Due the extremely difference in the condition of application. We suggest to the customer to contact our engineering service and made practical test for check in the real condition the practical working.

Ball bearings in stainless steel

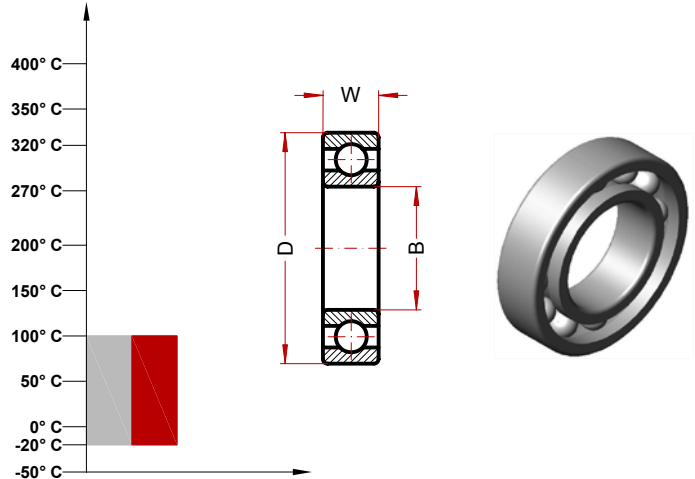
BSS (6300 Serie)

MAX TEMP CELSIUS 100° C

MAX TEMP FAHRENHEIT 212° F

SUGGESTED RANGE -20°/100° C

SUGGESTED RANGE -4°/212° F



Designation	Bore (B)	Diam (D)	Widht (W)	Weight g	Speed RPM/min (*)	Static Load kN
6300 BSS	10	35	11	52	14080	2.76
6301 BSS	12	37	12	60	12800	3.32
6302 BSS	15	42	13	80	11520	4.32
6303 BSS	17	47	14	120	10240	5.54
6304 BSS	20	52	15	140	8960	6.80
6305 BSS	25	62	17	225	7040	9.12
6306 BSS	30	72	19	350	6080	13.04
6307 BSS	35	80	21	450	5440	15.20
6308 BSS	40	90	23	620	4800	20
6309 BSS	45	100	25	830	4288	25.60
6310 BSS	50	110	27	1050	3840	30.40
6311 BSS	55	120	29	1350	3392	38
6312 BSS	60	130	31	1700	3200	41.60
6313 BSS	65	140	33	2100	2880	48
6314 BSS	70	150	35	2500	2752	30.40
6315 BSS	75	160	37	3000	2560	61.20

Static load and max speed are calculated for the maximum temperature of application we supply this technical information only for help customer in the choice. Due the extremely difference in the condition of application. We suggest to the customer to contact our engineering service and made pratical test for check in the real condition the pratical working.

Ball bearings in stainless steel

BSS 2RS

The BSS 2RS bearings are made of stainless steel AISI 440C for all the rotational parts and AISI 304 for the protection and the cage. The construction in AISI 440C provides excellent results in applications mildly aggressive and is not recommended for use in the presence of acids, salts, sea water, etc. The BSS 2RS bearings are successful in many applications especially in the presence of weather conditions, making them an excellent solution for the realisation of sliding glass doors for outside. The presence of 2RS protection and suitable grease allows the direct use in applications without additional protection.

Technical characteristics:

Material Stainless steel AISI 440C
Radial Standard
Stainless Steel sheets type 2RS
Grease: The bearings are supplied greased (-30° to +130°)

Fields of application:

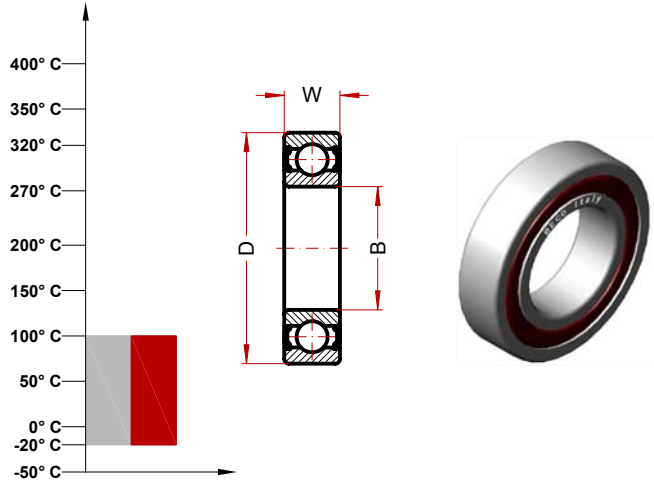
Air conveyors for food processing plants
Construction industry, windows, sliding windows, etc

Ball bearings in stainless steel

BSS 2RS (MICRO S eries)

MAX TEMP CELSIUS 100° C
 MAX TEMP FAHRENHEIT 212° F

SUGGESTED RANGE -20°/100° C
 SUGGESTED RANGE -4°/212° F



Designation	Bore (B)	Diam (D)	Width (W)	Weight g	Speed RPM/min (*)	Static Load, kN
613/3 BSS 2RS Micro	3	8	3	1.5		
623 BSS 2RS Micro	3	10	4	3	25600	0.18
604 BSS 2RS Micro	4	12	4	3	24320	0.34
624 BSS 2RS Micro	4	13	5	3	24320	0.34
605 BSS 2RS Micro	5	14	5	4	23040	0.42
625 BSS 2RS Micro	5	16	5	5	23040	0.42
606 BSS 2RS Micro	6	17	6	7	20480	0.85
626 BSS 2RS Micro	6	19	6	8	20480	0.85
607 BSS 2RS Micro	7	19	6	8	20480	0.85
627 BSS 2RS Micro	7	22	7	13	19200	1.10
608 BSS 2RS Micro	8	22	7	13	19200	1.10
628 BSS 2RS Micro	8	24	8	14	19200	1.10
609 BSS 2RS Micro	9	24	7	15	19200	1.30
629 BSS 2RS Micro	9	26	8	20	19200	1.57

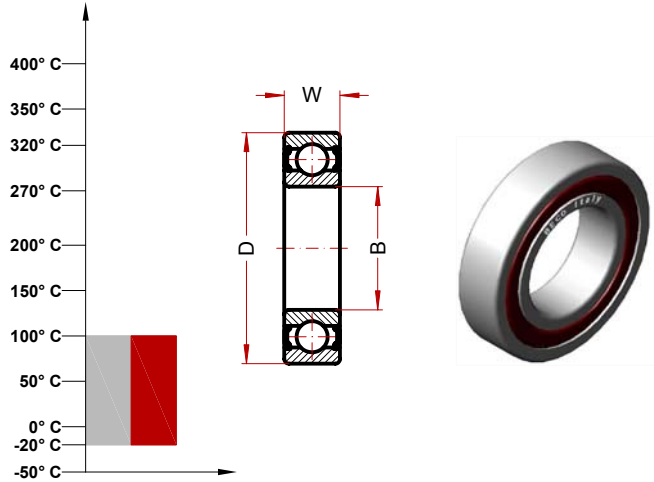
Static load and max speed are calculated for the maximum temperature of application we supply this technical information only for help customer in the choice. Due the extremely difference in the condition of application. We suggest to the customer to contact our engineering service and made practical test for check in the real condition the practical working.

Ball bearings in stainless steel

BSS 2RS (61800 Séries)

MAX TEMP CELSIUS 100° C
 MAX TEMP FAHRENHEIT 212° F

SUGGESTED RANGE -20°/100° C
 SUGGESTED RANGE -4°/212° F



Designation	Bore (B)	Diam (D)	Widht (W)	Weight g	Speed RPM/min (*)	Static Load, kN
61800 BSS 2RS	10	19	5	5.6	21760	0.42
61801 BSS 2RS	12	21	5	6.5	20480	0.76
61802 BSS 2RS	15	24	5	7.6	19200	1
61803 BSS 2RS	17	26	5	8.2	17920	1.16
61804 BSS 2RS	20	32	7	18	14080	1.79
61805 BSS 2RS	25	37	7	24	12160	2.24
61806 BSS 2RS	30	42	7	27	10240	2.68
61807 BSS 2RS	35	47	7	32	8960	2.88
61808 BSS 2RS	40	52	7	35	8320	3.40
61809 BSS 2RS	45	58	7	42	7040	4.48
61810 BSS 2RS	50	65	7	52	6400	5.04
61811 BSS 2RS	55	72	9	81	5760	6.80
61812 BSS 2RS	60	78	10	105	5440	8.80
61813 BSS 2RS	65	85	10	124	4800	9.60
61814 BSS 2RS	70	90	10	133	4480	10
61815 BSS 2RS	75	95	10	143	4288	10.72

Static load and max speed are calculated for the maximum temperature of application we supply this technical information only for help customer in the choice. Due the extremely difference in the condition of application. We suggest to the customer to contact our engineering service and made pratical test for check in the real condition the pratical working.

Ball bearings in stainless steel

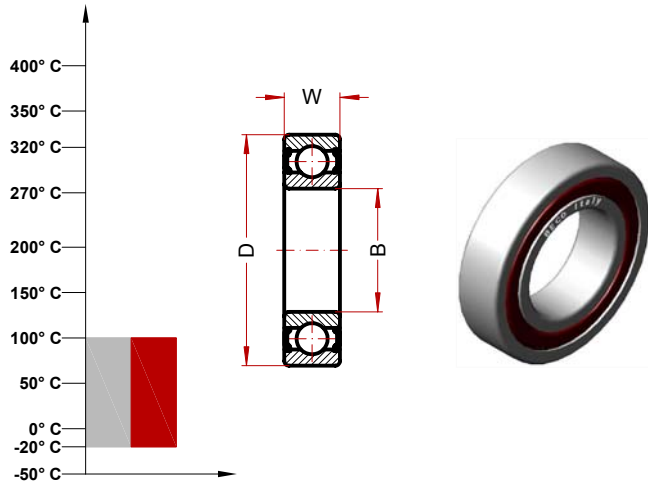
BSS 2RS (61900 Séries)

MAX TEMP CELSIUS 100° C

MAX TEMP FAHRENHEIT 212° F

SUGGESTED RANGE -20°/100° C

SUGGESTED RANGE -4°/212° F



Designation	Bore (B)	Diam (D)	Widht (W)	Weight g	Speed RPM/min (*)	Static Load, kN
61900 BSS 2RS	10	22	6	10		
61901 BSS 2RS	12	24	6	11		
61902 BSS 2RS	15	28	7	16		
61903 BSS 2RS	17	30	7	18		
61904 BSS 2RS	20	37	9	38		
61905 BSS 2RS	25	37	7	22		
61906 BSS 2RS	30	47	9	51		
61907 BSS 2RS	35	55	10	80		
61908 BSS 2RS	40	62	12	120		
61909 BSS 2RS	45	68	12	140		
61910 BSS 2RS	50	72	12	160		
61911 BSS 2RS	55	80	13	190		
61912 BSS 2RS	60	85	13	200		
61913 BSS 2RS	65	90	13	220		
61914 BSS 2RS	70	100	16	350		
61915 BSS 2RS	75	105	16	370		

Static load and max speed are calculated for the maximum temperature of application we supply this technical information only for help customer in the choice. Due the extremely difference in the condition of application. We suggest to the customer to contact our engineering service and made pratical test for check in the real condition the pratical working.

Ball bearings in stainless steel

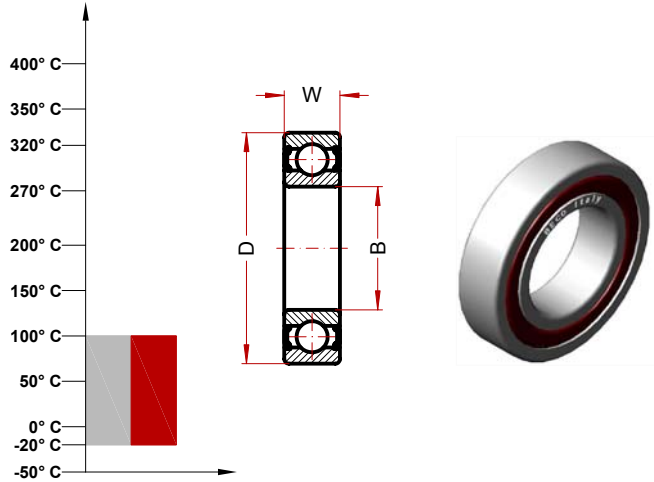
BSS 2RS (6000 Séries)

MAX TEMP CELSIUS 100° C

MAX TEMP FAHRENHEIT 212° F

SUGGESTED RANGE -20°/100° C

SUGGESTED RANGE -4°/212° F



Designation	Bore (B)	Diam (D)	Widht (W)	Weight g	Speed RPM/min (*)	Static Load, kN
6000 BSS 2RS	10	26	8	20	19720	1.57
6001 BSS 2RS	12	28	8	25	16640	1.89
6002 BSS 2RS	15	32	9	30	15360	2.28
6003 BSS 2RS	17	35	10	40	14080	2.60
6004 BSS 2RS	20	42	12	69	12800	4
6005 BSS 2RS	25	47	12	80	10880	4.68
6006 BSS 2RS	30	55	13	120	8320	6.40
6007 BSS 2RS	35	62	14	160	7040	8.32
6008 BSS 2RS	40	68	15	190	6400	9.44
6009 BSS 2RS	45	75	16	250	5760	11.44
6010 BSS 2RS	50	80	16	260	5440	12.48
6011 BSS 2RS	55	90	18	390	4800	16.96
6012 BSS 2RS	60	95	18	420	4480	18.5
6013 BSS 2RS	65	100	18	440	4032	20
6014 BSS 2RS	70	110	20	600	3840	25.20
6015 BSS 2RS	75	115	20	640	3584	27.20

Static load and max speed are calculated for the maximum temperature of application we supply this technical information only for help customer in the choice. Due the extremely difference in the condition of application. We suggest to the customer to contact our engineering service and made pratical test for check in the real condition the pratical working.

Ball bearings in stainless steel

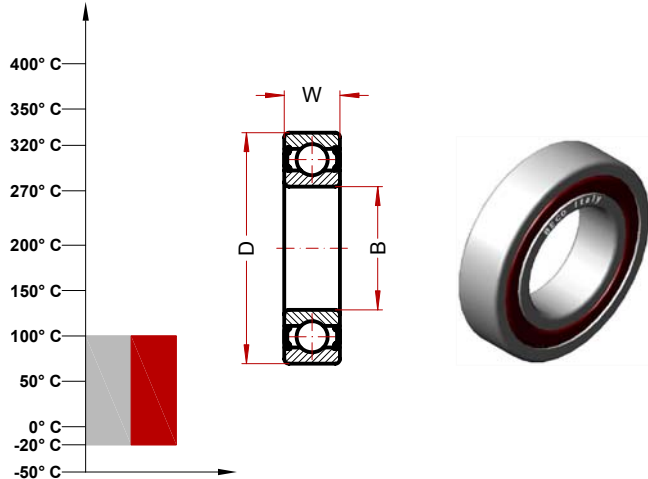
BSS 2RS (6200 S eries)

MAX TEMP CELSIUS 100° C

MAX TEMP FAHRENHEIT 212° F

SUGGESTED RANGE -20°/100° C

SUGGESTED RANGE -4°/212° F



Designation	Bore (B)	Diam (D)	Widht (W)	Weight g	Speed RPM/min (*)	Static Load, kN
6200 BSS 2RS	10	30	9	30	16640	2.08
6201 BSS 2RS	12	32	10	37	15360	2.48
6202 BSS 2RS	15	35	11	45	12800	3
6203 BSS 2RS	17	40	12	65	11520	3.80
6204 BSS 2RS	20	47	14	110	12000	5.24
6205 BSS 2RS	25	52	15	130	8960	6.40
6206 BSS 2RS	30	62	16	200	7040	8.96
6207 BSS 2RS	35	72	17	290	6080	12.24
6208 BSS 2RS	40	80	18	370	5440	14.40
6209 BSS 2RS	45	85	19	410	5120	16.32
6210 BSS 2RS	50	90	20	460	4800	19.20
6211 BSS 2RS	55	100	21	610	4288	23.20
6212 BSS 2RS	62	110	22	780	3840	28.80
6213 BSS 2RS	65	120	23	990	3392	33.20
6214 BSS 2RS	70	125	24	1040	3200	35.20
6215 BSS 2RS	75	130	25	1210	3072	39.20

Static load and max speed are calculated for the maximum temperature of application we supply this technical information only for help customer in the choice. Due the extremely difference in the condition of application. We suggest to the customer to contact our engineering service and made pratical test for check in the real condition the pratical working.

Ball bearings in stainless steel

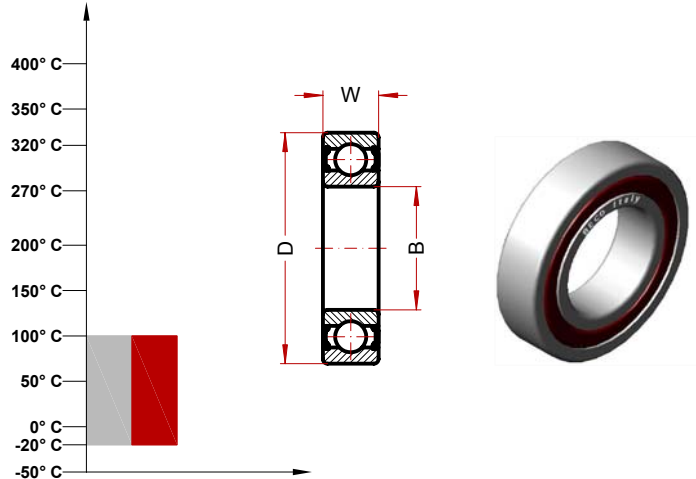
BSS 2RS (6300 Serie)

MAX TEMP CELSIUS 100° C

MAX TEMP FAHRENHEIT 212° F

SUGGESTED RANGE -20°/100° C

SUGGESTED RANGE -4°/212° F



Designation	Bore (B)	Diam (D)	Widht (W)	Weight g	Speed RPM/min (*)	Static Load kN
6300 BSS 2RS	10	35	11	52	14080	2.76
6301 BSS 2RS	12	37	12	60	12800	3.32
6302 BSS 2RS	15	42	13	80	11520	4.32
6303 BSS 2RS	17	47	14	120	10240	5.54
6304 BSS 2RS	20	52	15	140	8960	6.80
6305 BSS 2RS	25	62	17	225	7040	9.12
6306 BSS 2RS	30	72	19	350	6080	13.04
6307 BSS 2RS	35	80	21	450	5440	15.20
6308 BSS 2RS	40	90	23	620	4800	20
6309 BSS 2RS	45	100	25	830	4288	25.60
6310 BSS 2RS	50	110	27	1050	3840	30.40
6311 BSS 2RS	55	120	29	1350	3392	38
6312 BSS 2RS	60	130	31	1700	3200	41.60
6313 BSS 2RS	65	140	33	2100	2880	48
6314 BSS 2RS	70	150	35	2500	2752	30.40
6315 BSS 2RS	75	160	37	3000	2560	61.20

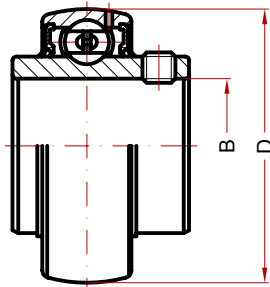
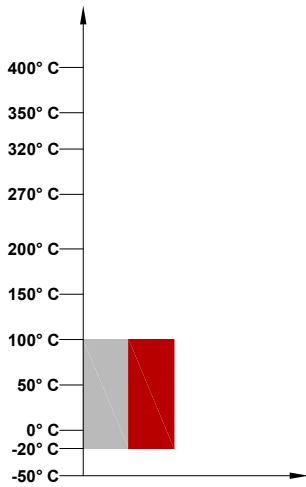
Static load and max speed are calculated for the maximum temperature of application we supply this technical information only for help customer in the choice. Due the extremely difference in the condition of application. We suggest to the customer to contact our engineering service and made pratical test for check in the real condition the pratical working.

Ball bearings in stainless steel

BSS 2RS (UC Serie)

MAX TEMP CELSIUS 100° C
 MAX TEMP FAHRENHEIT 212° F

SUGGESTED RANGE -20°/100° C
 SUGGESTED RANGE -4°/212° F



Designation	Bore (B)	Diam (D)	Weight g	Speed RPM/min (*)
UC 201 BSS 2RS	12	40		1440
UC 202 BSS 2RS	15	40		1440
UC 203 BSS 2RS	17	40		1440
UC 204 BSS 2RS	20	47		1200
UC 205 BSS 2RS	25	52		1120
UC 206 BSS 2RS	30	62		880
UC 207 BSS 2RS	35	72		760
UC 208 BSS 2RS	40	80		680
UC 209 BSS 2RS	45	85		640
UC 210 BSS 2RS	50	90		600
UC 211 BSS 2RS	55	100		536
UC 212 BSS 2RS	60	110		480
UC 213 BSS 2RS	65	120		424
UC 214 BSS 2RS	70	125		400
UC 215 BSS 2RS	75	130		384

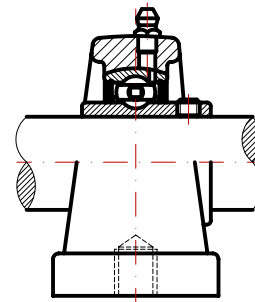
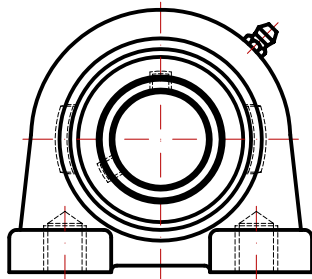
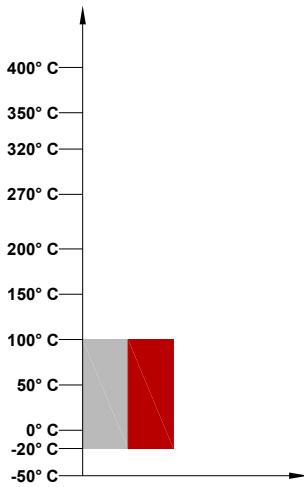
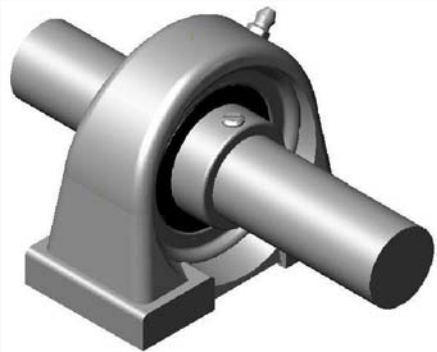
Static load and max speed are calculated for the maximum temperature of application we supply this technical information only for help customer in the choice. Due the extremely difference in the condition of application. We suggest to the customer to contact our engineering service and made pratical test for check in the real condition the pratical working.

Ball bearings in stainless steel

BSS 2RS (UCPA Serie)

MAX TEMP CELSIUS 100° C
 MAX TEMP FAHRENHEIT 212° F

SUGGESTED RANGE -20°/100° C
 SUGGESTED RANGE -4°/212° F



Unit code	Bearing code	Housing code
UCPA 201 BSS 2RS	UC 201 BSS 2RS	SS PA 201
UCPA 202 BSS 2RS	UC 202 BSS 2RS	SS PA 202
UCPA 203 BSS 2RS	UC 203 BSS 2RS	SS PA 203
UCPA 204 BSS 2RS	UC 204 BSS 2RS	SS PA 204
UCPA 205 BSS 2RS	UC 205 BSS 2RS	SS PA 205
UCPA 206 BSS 2RS	UC 206 BSS 2RS	SS PA 206
UCPA 207 BSS 2RS	UC 207 BSS 2RS	SS PA 207
UCPA 208 BSS 2RS	UC 208 BSS 2RS	SS PA 208
UCPA 209 BSS 2RS	UC 209 BSS 2RS	SS PA 209
UCPA 210 BSS 2RS	UC 210 BSS 2RS	SS PA 210
UCPA 211 BSS 2RS	UC 211 BSS 2RS	SS PA 211
UCPA 212 BSS 2RS	UC 212 BSS 2RS	SS PA 212
UCPA 213 BSS 2RS	UC 213 BSS 2RS	SS PA 213
UCPA 214 BSS 2RS	UC 214 BSS 2RS	SS PA 214
UCPA 215 BSS 2RS	UC 215 BSS 2RS	SS PA 215

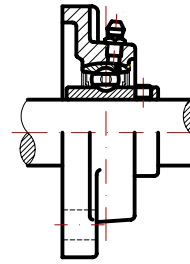
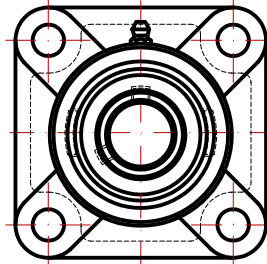
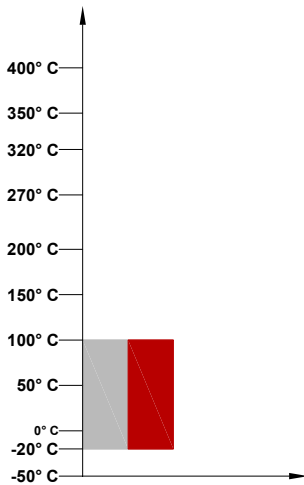
Static load and max speed are calculated for the maximum temperature of application we supply this technical information only for help customer in the choice. Due the extremely difference in the condition of application. We suggest to the customer to contact our engineering service and made practical test for check in the real condition the practical working.

Ball bearings in stainless steel

BSS 2RS (UCF Serie)

MAX TEMP CELSIUS 100° C
MAX TEMP FAHRENHEIT 212° F

SUGGESTED RANGE -20°/100° C
SUGGESTED RANGE -4°/212° F



Unit code	Bearing code	Housing code
UCF 201 BSS 2RS	UC 201 BSS 2RS	SS F 201
UCF 202 BSS 2RS	UC 202 BSS 2RS	SS F 202
UCF 203 BSS 2RS	UC 203 BSS 2RS	SS F 203
UCF 204 BSS 2RS	UC 204 BSS 2RS	SS F 204
UCF 205 BSS 2RS	UC 205 BSS 2RS	SS F 205
UCF 206 BSS 2RS	UC 206 BSS 2RS	SS F 206
UCF 207 BSS 2RS	UC 207 BSS 2RS	SS F 207
UCF 208 BSS 2RS	UC 208 BSS 2RS	SS F 208
UCF 209 BSS 2RS	UC 209 BSS 2RS	SS F 209
UCF 210 BSS 2RS	UC 210 BSS 2RS	SS F 210
UCF 211 BSS 2RS	UC 211 BSS 2RS	SS F 211
UCF 212 BSS 2RS	UC 212 BSS 2RS	SS F 212
UCF 213 BSS 2RS	UC 213 BSS 2RS	SS F 213
UCF 214 BSS 2RS	UC 214 BSS 2RS	SS F 214
UCF 215 BSS 2RS	UC 215 BSS 2RS	SS F 215

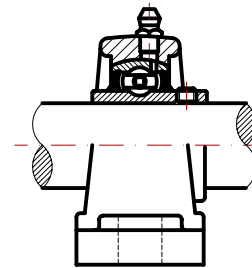
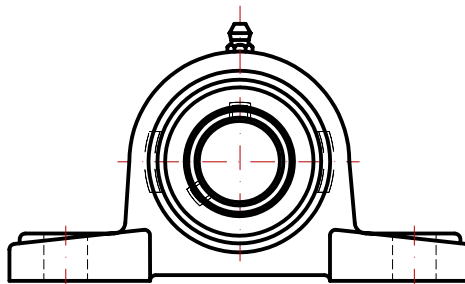
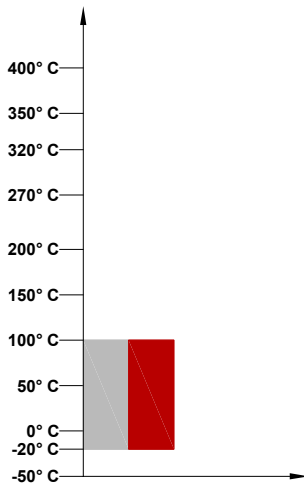
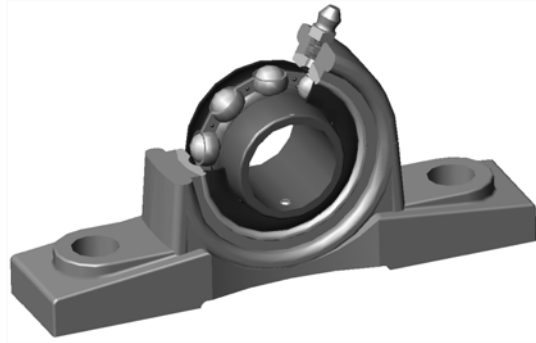
Static load and max speed are calculated for the maximum temperature of application we supply this technical information only for help customer in the choice. Due the extremely difference in the condition of application. We suggest to the customer to contact our engineering service and made practical test for check in the real condition the practical working.

Ball bearings in stainless steel

BSS 2RS (UCP Serie)

MAX TEMP CELSIUS 100° C
 MAX TEMP FAHRENHEIT 212° F

SUGGESTED RANGE -20°/100° C
 SUGGESTED RANGE -4°/212° F



Unit code	Bearing code	Housing code
UCP 201 BSS 2RS	UC 201 BSS 2RS	SS P 201
UCP 202 BSS 2RS	UC 202 BSS 2RS	SS P 202
UCP 203 BSS 2RS	UC 203 BSS 2RS	SS P 203
UCP 204 BSS 2RS	UC 204 BSS 2RS	SS P 204
UCP 205 BSS 2RS	UC 205 BSS 2RS	SS P 205
UCP 206 BSS 2RS	UC 206 BSS 2RS	SS P 206
UCP 207 BSS 2RS	UC 207 BSS 2RS	SS P 207
UCP 208 BSS 2RS	UC 208 BSS 2RS	SS P 208
UCP 209 BSS 2RS	UC 209 BSS 2RS	SS P 209
UCP 210 BSS 2RS	UC 210 BSS 2RS	SS P 210
UCP 211 BSS 2RS	UC 211 BSS 2RS	SS P 211
UCP 212 BSS 2RS	UC 212 BSS 2RS	SS P 212
UCP 213 BSS 2RS	UC 213 BSS 2RS	SS P 213
UCP 214 BSS 2RS	UC 214 BSS 2RS	SS P 214
UCP 215 BSS 2RS	UC 215 BSS 2RS	SS P 215

Static load and max speed are calculated for the maximum temperature of application we supply this technical information only for help customer in the choice. Due the extremely difference in the condition of application. We suggest to the customer to contact our engineering service and made practical test for check in the real condition the practical working.

Ball bearings in stainless steel

BSS ZZ

The BSS ZZ bearings are made of stainless steel AISI 440C for all the rotational parts and AISI 304 for the protection and the cage. The construction in AISI 440C provides excellent results in applications mildly aggressive and is not recommended for use in the presence of acids, salts, sea water, etc. The BSS ZZ bearings are successful in many applications especially in the presence of weather conditions, making them an excellent solution to manufacture sliding glass doors for outside. The use of ZZ protection and suitable grease allow for their direct use in applications without additional protection.

Technical characteristics:

Material Stainless steel AISI 440C
Radial Standard
Stainless steel sheets type ZZ
Grease: The bearings are supplied greased (-30° to +130°)

Fields of application:

Air conveyors for food processing plants
Construction industry, windows, sliding windows, etc

Ball bearings in stainless steel

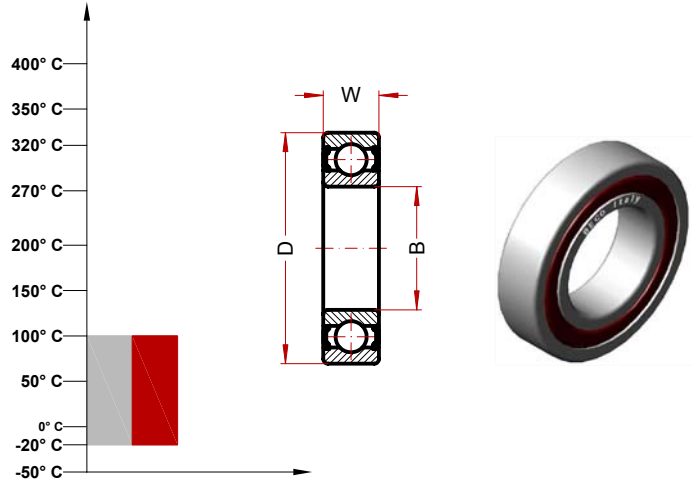
BSS ZZ (6000 Serie)

MAX TEMP CELSIUS 100° C

MAX TEMP FAHRENHEIT 212° F

SUGGESTED RANGE -20°/100° C

SUGGESTED RANGE -4°/212° F



Designation	Bore (B)	Diam (D)	Widht (W)	Weight g	Speed RPM/min (*)	Static Load kN
6000 BSS ZZ	10	26	8	20	19720	1.57
6001 BSS ZZ	12	28	8	25	16640	1.89
6002 BSS ZZ	15	32	9	30	15360	2.28
6003 BSS ZZ	17	35	10	40	14080	2.60
6004 BSS ZZ	20	42	12	69	12800	4
6005 BSS ZZ	25	47	12	80	10880	4.68
6006 BSS ZZ	30	55	13	120	8320	6.40
6007 BSS ZZ	35	62	14	160	7040	8.32
6008 BSS ZZ	40	68	15	190	6400	9.44
6009 BSS ZZ	45	75	16	250	5760	11.44
6010 BSS ZZ	50	80	16	260	5440	12.48
6011 BSS ZZ	55	90	18	390	4800	16.96
6012 BSS ZZ	60	95	18	420	4480	18.5
6013 BSS ZZ	65	100	18	440	4032	20
6014 BSS ZZ	70	110	20	600	3840	25.20
6015 BSS ZZ	75	115	20	640	3584	27.20

Static load and max speed are calculated for the maximum temperature of application we supply this technical information only for help customer in the choice. Due the extremely difference in the condition of application. We suggest to the customer to contact our engineering service and made pratical test for check in the real condition the pratical working.

Ball bearings in stainless steel

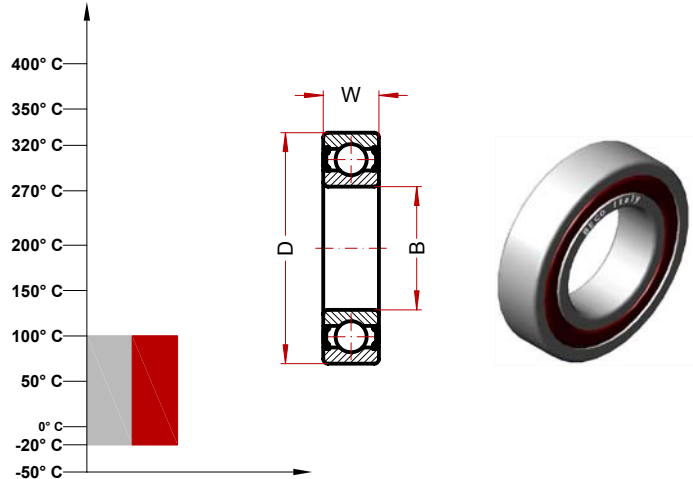
BSS ZZ (6200 Serie)

MAX TEMP CELSIUS 100° C

MAX TEMP FAHRENHEIT 212° F

SUGGESTED RANGE -20°/100° C

SUGGESTED RANGE -4°/212° F



Designation	Bore (B)	Diam (D)	Widht (W)	Weight g	Speed RPM/min (*)	Static Load kN
6200 BSS ZZ	10	30	9	30	16640	2.08
6201 BSS ZZ	12	32	10	37	15360	2.48
6202 BSS ZZ	15	35	11	45	12800	3
6203 BSS ZZ	17	40	12	65	11520	3.80
6204 BSS ZZ	20	47	14	110	12000	5.24
6205 BSS ZZ	25	52	15	130	8960	6.40
6206 BSS ZZ	30	62	16	200	7040	8.96
6207 BSS ZZ	35	72	17	290	6080	12.24
6208 BSS ZZ	40	80	18	370	5440	14.40
6209 BSS ZZ	45	85	19	410	5120	16.32
6210 BSS ZZ	50	90	20	460	4800	19.20
6211 BSS ZZ	55	100	21	610	4288	23.20
6212 BSS ZZ	62	110	22	780	3840	28.80
6213 BSS ZZ	65	120	23	990	3392	33.20
6214 BSS ZZ	70	125	24	1040	3200	35.20
6215 BSS ZZ	75	130	25	1210	3072	39.20

Static load and max speed are calculated for the maximum temperature of application we supply this technical information only for help customer in the choice. Due the extremely difference in the condition of application. We suggest to the customer to contact our engineering service and made pratical test for check in the real condition the pratical working.

Ball bearings in stainless steel

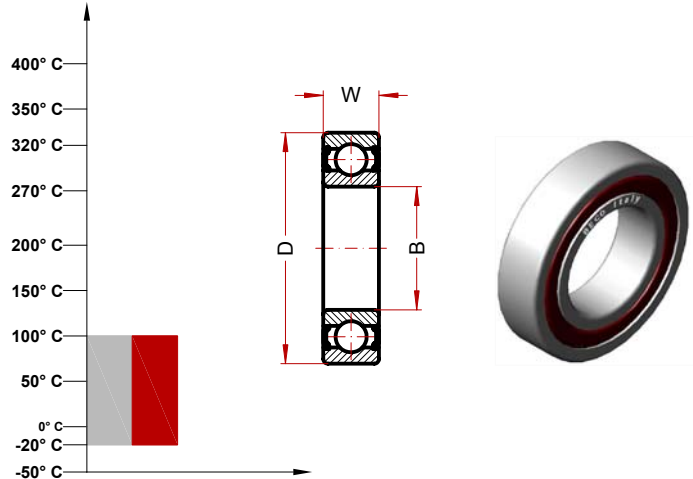
BSS ZZ (6300 Serie)

MAX TEMP CELSIUS 100° C

MAX TEMP FAHRENHEIT 212° F

SUGGESTED RANGE -20°/100° C

SUGGESTED RANGE -4°/212° F



Designation	Bore (B)	Diam (D)	Width (W)	Weight g	Speed RPM/min (*)	Static Load kN
6300 BSS ZZ	10	35	11	52	14080	2.76
6301 BSS ZZ	12	37	12	60	12800	3.32
6302 BSS ZZ	15	42	13	80	11520	4.32
6303 BSS ZZ	17	47	14	120	10240	5.24
6304 BSS ZZ	20	52	15	140	8960	6.80
6305 BSS ZZ	25	62	17	225	7040	9.12
6306 BSS ZZ	30	72	19	350	6080	13.04
6307 BSS ZZ	35	80	21	450	5440	15.20
6308 BSS ZZ	40	90	23	620	4800	20
6309 BSS ZZ	45	100	25	830	4288	25.60
6310 BSS ZZ	50	110	27	1050	3840	30.40
6311 BSS ZZ	55	120	29	1350	3392	38
6312 BSS ZZ	60	130	31	1700	3200	41.60
6313 BSS ZZ	65	140	33	2100	2880	48
6314 BSS ZZ	70	150	35	2500	2752	30.40
6315 BSS ZZ	75	160	37	3000	2560	61.20

Static load and max speed are calculated for the maximum temperature of application we supply this technical information only for help customer in the choice. Due the extremely difference in the condition of application. We suggest to the customer to contact our engineering service and made practical test for check in the real condition the practical working.

INDUSTRIAL AND AUTOMOTIVE COMPONENTS

In the following pages we briefly present the Beco production for automotive and industrial sectors for which specific catalogues are available.

The current Beco production of components is directed to the following areas: -

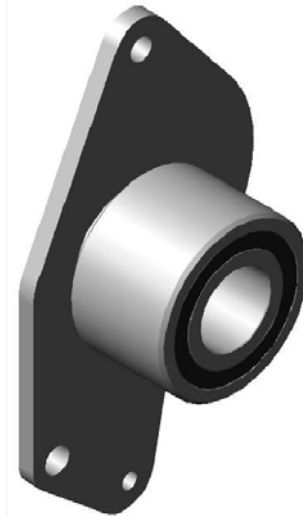
1. Automotive: Distribution and auxiliary belt tensioner for vehicles with 1500 product reference.
2. Lorries: belt tensioner, clutch bearings, transmission bearings, spare parts for gear box and axles, bronze bushes, hundreds of small parts for spare kits, a total of about 1,000 product references.
3. Handling Vehicles: Bearings for truck lifts.
4. Agricultural machinery: Bearings and groups for disk harrows, triple lip bearings for heavy applications, forged hubs, replacement parts for combine harvesters, joints, rod ends, mechanical parts customized.
5. Hydraulics: Joints, customized joint head, mechanical parts customized.
6. Internal Handling: Bearings for internal conveyors, conveyor chains for high temperature, forged pillows.

Industrial Components

Belt tensioner for automotive application



Unidirectional, belt tensioner for alternators; Our new 2009 production, 150 different models supplied with the bearing of the brand chosen by the customer depending on the target market.



Belt tensioner for the distribution of vehicles, made with rigid, radial ball bearings assembled on a flanged steel part; about 300 models available.



Belt tensioner, based on the structure of rigid, radial, ball bearings; about 300 models for a wide range of cars.



Belt tensioner for the distribution of vehicles, made with rigid, radial ball bearings assembled on a sintered gear; about 50 models available.



Belt tensioner for auxiliary mechanism made entirely of steel. About 300 models are supplied with the bearing of the brand chosen by the customer depending on the target market. The utilization of steel bearings of the best producers in the world ensures very high duration even in extreme conditions.



Belt tensioner for the distribution of light lorries entirely of steel, made with rigid, radial ball bearings assembled on a flanged steel part.




Belt tensioner for auxiliary mechanism made entirely of steel; about 300 models can be supplied with bearings of the brand chosen by the customer depending on the target market. The utilization of steel bearings of the best producers in the world ensures very high duration even in extreme conditions.

Industrial Components


Trucks

	<p>Clutch/Friction bearings for a lorry.</p>
---	--


	<p>Needle bearings for lorries on rubber support.</p>
--	---

	<p>Flanged bushes grinded for lorry transmission. Built upon customer design. Several models available.</p>
--	---

	<p>Forged and machined flanges for application on various models of lorries.</p>
---	--

	<p>Rings for lorries axle.</p>
---	--------------------------------


	<p>Full filling of needle roller bearings.</p>
--	--

	<p>Cross for lorry transmission. Several models available and which can be built upon customer design.</p>
---	--


	<p>Roller bearings with bronze cage.</p>
--	--

Industrial Components


Bearings for fork lift

	Spare part bearings for truck lift "CLARK".
---	---


	Spare part bearings for truck lift "JUNGHEINRICH".
--	--

	Spare part bearings for truck lift "ELECAR".
--	--

	Spare part bearings for truck lift "LINDE".
---	---

	Spare part bearings for truck lift "FIAT - OM".
---	---

	Spare part bearings for truck lift "NISSAN".
--	--

	Spare part bearings for truck lift "HYSTER".
---	--

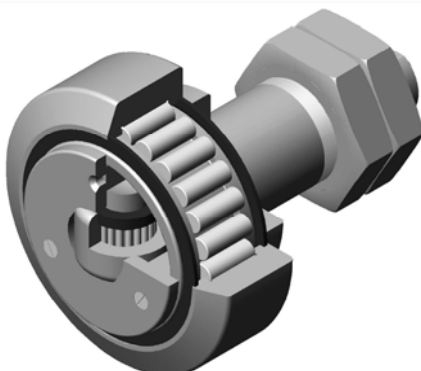
	Spare part bearings for truck lift "STILL".
--	---

Industrial Components


Bearings for internal handling



Bearings for air conveyors with or without pillow upon customer design, diameters from 40 mm to 100 mm.



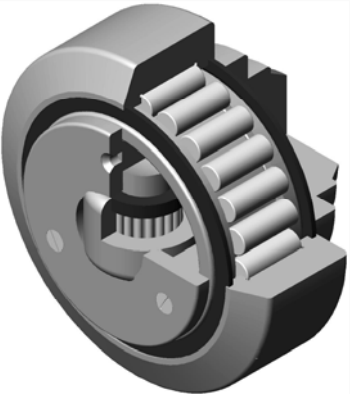
Combined bearings with shaft for "C" profiles.



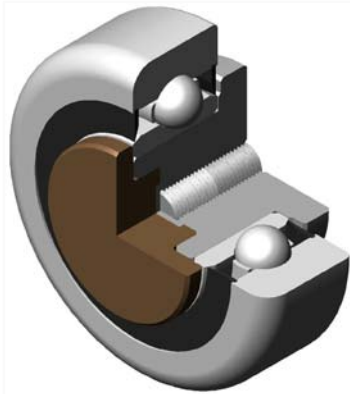
Combined bearings for "C" profiles.



Roller bearings for "C" profiles.

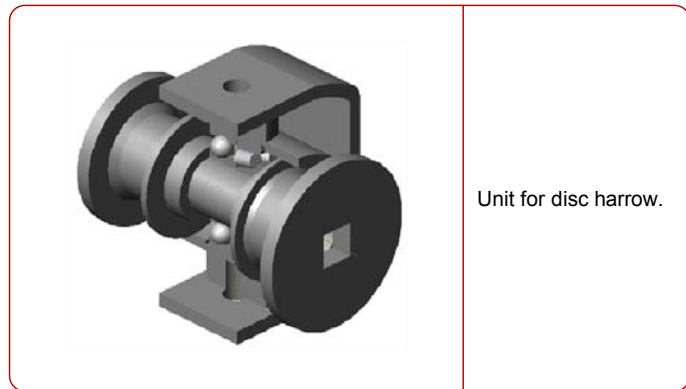


Combined bearings with adjustable precision for milled "C" profiles.

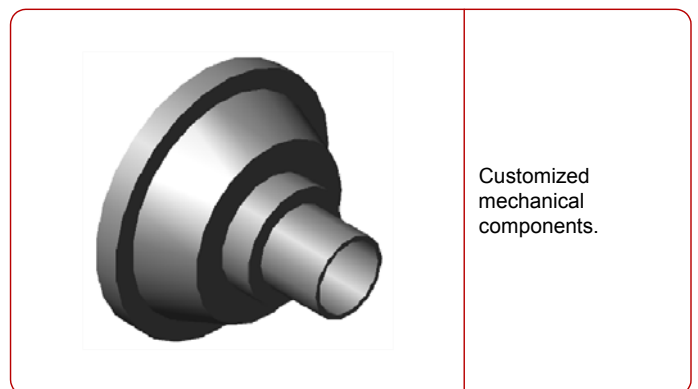
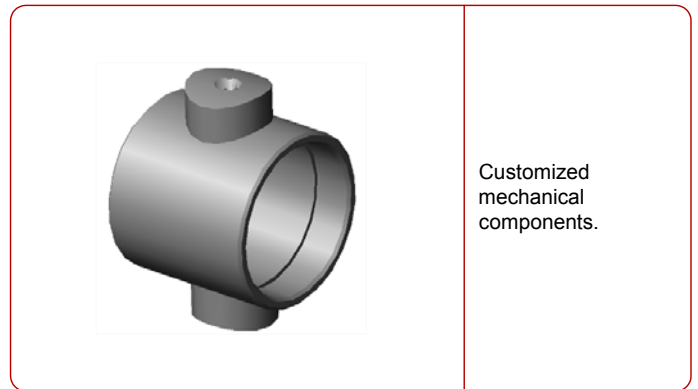


Ball bearings for "C" Profiles with lateral support in nylon.

Industrial Components



Bearings and units for agricultural machines



Industrial Components


Hydraulic cylinders

	Customized components for hydraulic cylinders.
---	--

	Customized cut rings.
--	-----------------------

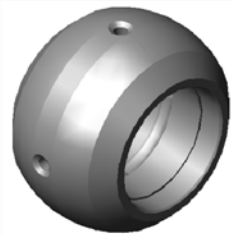
	Customized components for cylinder heads.
--	---

	Components for cylinder bodies.
---	---------------------------------

	For hydraulic cylinders.
---	--------------------------

	Customized rod ends.
--	----------------------

	Rod ends for special applications in stainless steel.
---	---

	Customized bushes.
--	--------------------



Copyright: This catalogue and all the photographic images are property of Beco Italia Srl, which protects under the Italian and the international law the relative ownership.

This catalogue has been created with great care, however we accept no responsibility regarding any errors or omissions; for any technical information or application, please contact our technical department.

BECO Italy

Via Volta 7 12100 Cuneo Italy

Phone: 0039 0171 66883 FAX: 0039 0171 648913

www.becoitalia.it